

Garage/Workshop Heater

Tough, rugged, high performance, heats quickly.

Features

- Powerful fan and 4000 watt stainless steel heater element
- Versatile mounting bracket attaches to wall or ceiling – heater swivels to direct heat
- Automatic temperature control helps maintain consistent temperature from 45-77°F
- Powder-coated epoxy finish long lasting and corrosion resistant
- Fan delay removes residual heat for economical performance
- Includes 6 foot cord with a NEMA standard plus (6-20P)

Applications

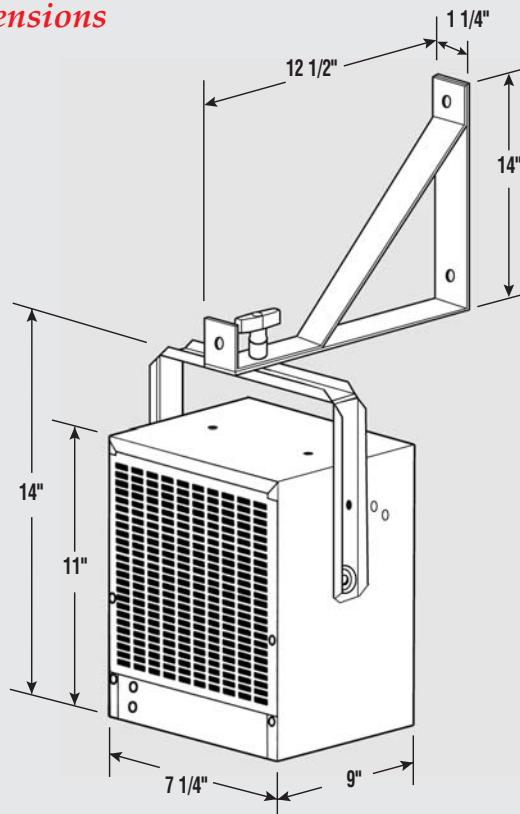
- Garage, workshop

Specifications

Voltage	240V
Wattage	4000W
Color	Almond
Finish	Powder coat epoxy fini
Fan	Fan is propeller type accurately balanced and correctly pitched to optimize performance.
Control	Double pole thermostat is built-in temperature range of 45-77°F.
Warranty	One year on complete unit. CUL/UL approved.



Dimensions



Ordering Guide

Cat. No.	Watts	BTU	Volts	CFM	Weight lbs.
DGWH4031	4000	13,648	240V	160	10