

UNIT HEATERS

MUH

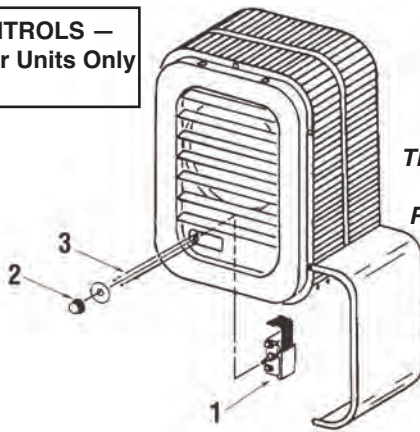
Built-in Controls

Key No.	Description	Part Number
1	Thermostat, One Pole (MT-1)	5813-0036-000
	Thermostat, Two Stage (MT-2)	5813-0035-000
2	Knob, Thermostat	3301-2020-006
3	Screws, Fl. Hd., 6-32 x 1/4	5202-7009-021
4	Clip, Thermostat	1403-0041-000
5	Switch, 25A, OEM	DS25
	Switch, 25A, K & N	DS25
	Switch, 63A, OEM	5216-2039-000
	Switch 25A, Electro	5216-0200-000
6	Knob, 25A, OEM "T1"	OEM "T1"
	Knob, 25A, K & N	K & N S1B 6001
	Knob, 63A, OEM	OEM "S4"
	Knob, 63A, K & N	K & N S2B 6001
	Knob, Electro	EI 141747
7	Switch, Toggle, 600V	5216-2011-000
8	Relay, Fan, 24V Coil	RFS2
9	Switch Assembly	5216-0199-000
10	Manual Reset Limit	4520-2028-000

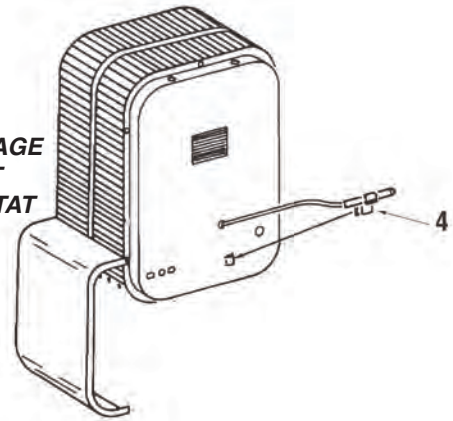
Heater Replacement Parts (Chart on pg. 13)

Key No.	Description	Part Number
1	Spring, Element (used on MUH03 thru MUH-20 only)	5208-0073-000
	Spring, Element (used on MUH-25 thru MUH-50 only)	5208-0073-001
2	Spring, Capillary Tube	5208-0072-000
3	Spring, Element Retainer	5208-0074-000
4	Switch (used on MUH-25 thru MUH-50 only)	5216-2054-000
5	Insulator (used on MUH-25 thru MUH-50 only)	—
6	Bracket Extension (used on MUH-15, MUH-20, MUH-40 and MUH-50 only)	1215-0282-000
7	Switch Bracket	1215-0256-000
8	Fan Delay	4520-0010-000
14	Speed Nut	4100-7036-026
15	Bracket, Captive Screw (used on MUH-03 thru MUH-20 only)	1215-0291-000
	Bracket, Captive Screw (used on MUH-25 thru MUH-50 only)	1215-0289-000
17	Protector, Linear Limit (used on MUH03 thru MUH05 only)	4520-0011-000
	Protector, Linear Limit (used on MUH-07 thru MUH-20 only)	4520-0011-001
	Protector, Linear Limit (used on MUH-25 thru MUH-50 only)	4520-0011-002
20	Clamp (used on MUH-20 thru MUH-50 only)	—
	Bracket, Mounting Capacitor (used on MUH-20-8 only)	1215-0314-000
22	Terminal Lug (used on MUH-07 thru MUH-50 only)	3504-7002-001
25	Bushing (used on MUH-20 thru MUH-50 only)	25221-60131
26	Washer, Ground (used on MUH03 thru MUH05 only)	6401-0084-000
27	Screw, Ground (used on MUH03 thru MUH05 only)	21424-17128
28	Louver (used on MUH03 thru MUH05 only)	3503-2004-006
	Louver (used on MUH-07 thru MUH-20 only)	3503-2004-007
	Louver (used on MUH-25 thru MUH-50 only)	3503-2004-008
29	Spring, Louver	5208-7005-001
32	Terminal Block, 3-Phase (used on MUH05-21, MUH-07-02, and MUH-10-2 only)	5823-0003-000
	Terminal Block, 3-Phase (used on MUH05-81, MUH-07-8, and MUH-15-8 only)	5823-0003-000
33	Terminal Doublers (used where required)	5819-0031-000

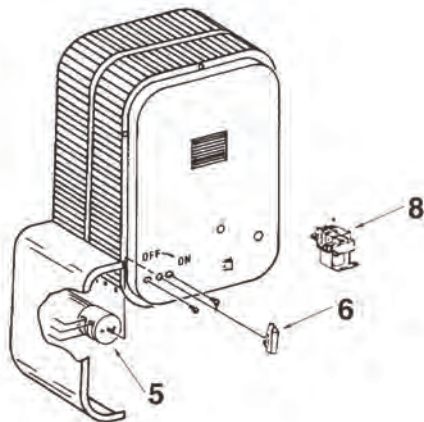
**BUILT-IN CONTROLS —
 Made-to-Order Units Only**



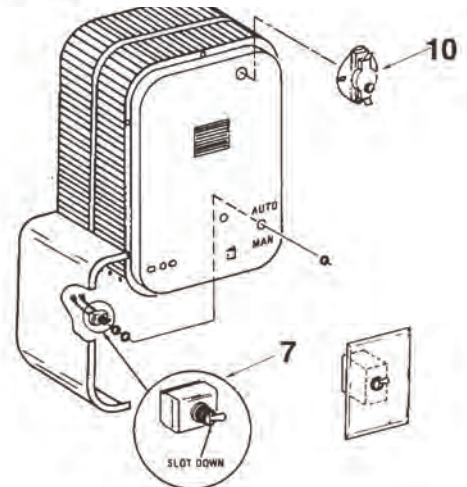
**SINGLE-POLE
 THERMOSTAT, TWO-STAGE
 THERMOSTAT, HEAT
 RECOVERY THERMOSTAT**



**POWER
 DISCONNECT
 SWITCH**

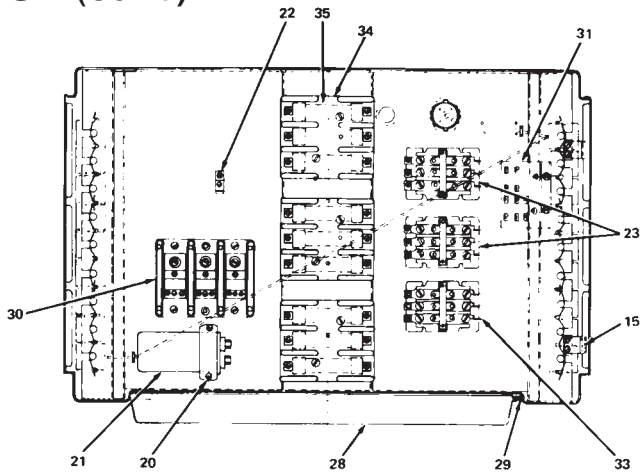


**SUMMER
 FAN
 SWITCH**

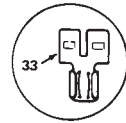


UNIT HEATERS

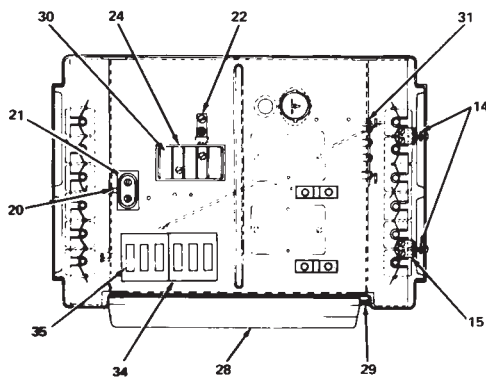
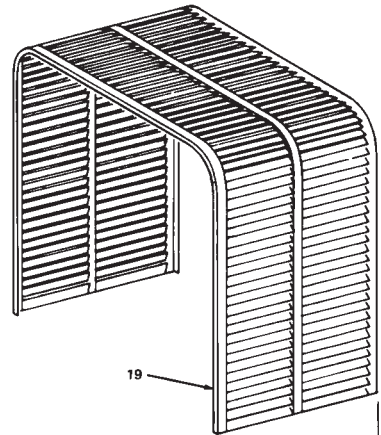
MUH (Con't.)



VIEW D-D
(MUH-25 THRU MUH-50 ONLY)



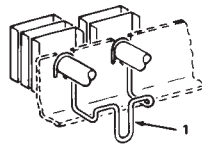
TERMINAL DOUBLER
(USED AS REQUIRED)



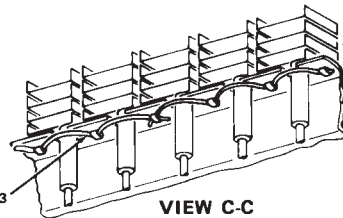
VIEW D-D
(MUH-07 THRU MUH-20 ONLY)



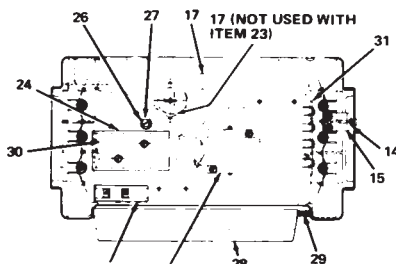
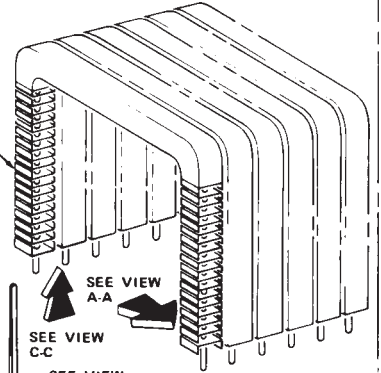
VIEW A-A



VIEW B-B

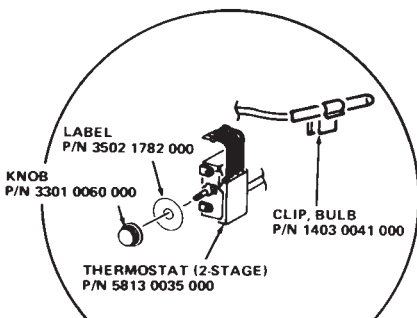
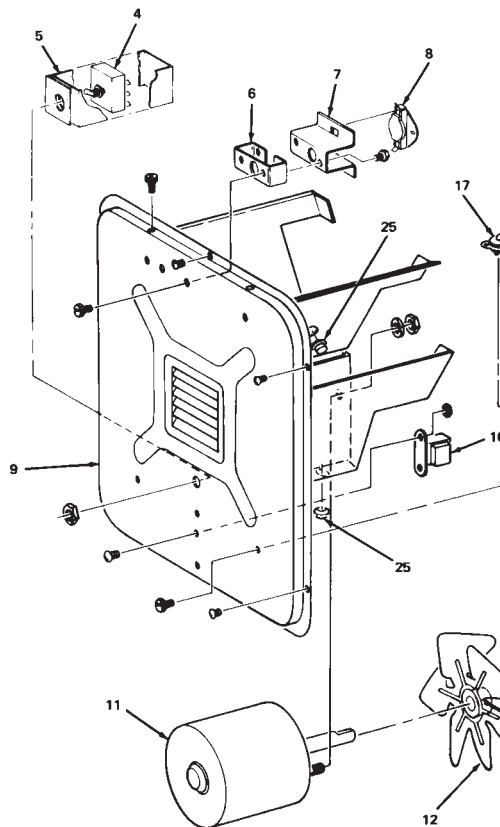


VIEW C-C



VIEW D-D
(MUH03 THRU MUH05 ONLY)

17 (NOT USED WITH ITEM 23)
23 (NOT USED WHEN TWO ITEM 17 ARE USED)



THESE PARTS ARE USED
ON MODEL MUH05-21T ONLY

UNIT HEATERS

MUH (Con't.)

	⑨	⑩	⑪	⑫	⑬	⑯	⑱	⑲	⑳
Model No.	Back Case	Transformer**	Motor	Fan Blade	Cover	Front Case	Element Assy.	Element Guard	Capacitor
MUH03-21	1425-2004-000	-	3900-2002-506	1210-2000-000	1402-0336-000	1425-0009-005	1802-0087-5 00	2504-0011-001	-
MUH03-41	1425-2004-000	5814-0003-002	3900-2005-000	1210-2000-000	1402-0336-000	1425-0009-005	1802-0087-002	2504-0011-001	-
MUH03-71	1425-2004-000	-	3900-2002-507	1210-2000-000	1402-0336-000	1425-0009-005	1802-0087-001	2504-0011-001	-
MUH03-81	1425-2004-000	-	3900-2002-506	1210-2000-000	1402-0336-000	1425-0009-005	1802-0087-024	2504-0011-001	-
MUH05-21	1425-2004-000	-	3900-2002-506	1210-2000-000	1402-0336-000	1425-0009-005	1802-0087-535	2504-0011-001	-
MUH05-41	1425-2004-000	5814-0003-002	3900-2005-000	1210-2000-000	1402-0336-000	1425-0009-005	1802-0087-505	2504-0011-001	-
MUH05-71	1425-2004-000	-	3900-2002-507	1210-2000-000	1402-0336-000	1425-0009-005	1802-0087-504	2504-0011-001	-
MUH05-81	1425-2004-000	-	3900-2002-506	1210-2000-000	1402-0336-000	1425-0009-005	1802-0087-534	2504-0011-001	-
MUH-07-2	1425-0010-004	5814-0003-000	3900-2014-004	1210-0090-000	1402-0339-000	1425-0009-006	1802-0087-506	2504-0013-000	-
MUH-07-4	1425-0010-004	5814-0003-002	3900-0347-005	1210-0090-000	1402-0339-000	1425-0009-006	1802-0087-508	2504-0013-000	-
MUH-07-7	1425-0010-004	5814-0003-001	3900-2014-004	1210-0090-000	1402-0339-000	1425-0009-006	1802-0087-507	2504-0013-000	-
MUH-07-8	1425-0010-004	5814-0003-000	3900-2014-004	1210-0090-000	1402-0339-000	1425-0009-006	1802-0087-531	2504-0013-000	-
MUH-10-2	1425-0010-004	5814-0003-000	3900-2014-004	1210-0090-000	1402-0339-000	1425-0009-006	1802-0087-531	2504-0013-000	-
MUH-10-4	1425-0010-004	5814-0003-002	3900-0347-005	1210-0090-000	1402-0339-000	1425-0009-006	1802-0087-011	2504-0013-000	-
MUH-10-7	1425-0010-004	5814-0003-001	3900-2014-004	1210-0090-000	1402-0339-000	1425-0009-006	1802-0087-510	2504-0013-000	-
MUH-10-8	1425-0010-004	5814-0003-000	3900-2014-004	1210-0090-000	1402-0339-000	1425-0009-006	1802-0087-536	2504-0013-000	-
MUH-15-2	1425-0014-000	5814-0003-000	3900-0361-500	1210-0090-001	1402-0339-001	1425-0009-009	1802-0087-512	2504-0012-000	-
MUH-15-4	1425-0014-000	5814-0003-002	3900-0361-501	1210-0090-001	1402-0339-001	1425-0009-009	1802-0087-508	2504-0012-000	-
MUH-15-8	1425-0014-000	5814-0003-000	3900-0361-002	1210-0090-001	1402-0339-001	1425-0009-009	1802-0087-537	2504-0012-000	-
MUH-20-2	1425-0013-000	5814-0003-000	3900-0362-000	1210-0096-000	1402-0339-001	1425-0009-011	1802-0087-537	2504-0012-000	1432-0002-003
MUH-20-4	1425-0013-000	5814-0003-002	3900-0362-001	1210-0096-000	1402-0339-001	1425-0009-011	1802-0087-011	2504-0012-000	1432-0002-003
MUH-20-8	1425-0013-000	5814-0003-000	3900-0362-002	1210-0096-000	1402-0339-001	1425-0009-011	1802-0087-526	2504-0012-000	1432-0002-003
MUH-25-2	1425-0011-003	5814-0003-000	3900-0364-000	1210-0098-000	1402-0340-000	1425-0012-003	1802-0087-516	2504-0014-000	1432-0002-003
MUH-25-4	1425-0011-003	5814-0003-002	3900-0363-500	1210-0098-000	1402-0340-000	1425-0012-003	1802-0087-517	2504-0014-000	1432-0002-003
MUH-30-2	1425-0011-003	5814-0003-000	3900-0364-000	1210-0098-000	1402-0340-000	1425-0012-003	1802-0087-518	2504-0014-000	1432-0002-003
MUH-30-4	1425-0011-003	5814-0003-002	3900-0363-500	1210-0098-000	1402-0340-000	1425-0012-003	1802-0087-519	2504-0014-000	1432-0002-003
MUH-30-8	1425-0011-003	5814-0003-000	3900-0364-000	1210-0098-000	1402-0340-000	1425-0012-003	1802-0087-528	2504-0014-000	1432-0002-001
MUH-40-2	1425-0011-001	5814-0003-000	3900-0350-000	1210-0097-000	1402-0340-001	1425-0012-002	1802-0087-520	2504-0015-000	1432-0002-004
MUH-40-4	1425-0011-001	5814-0003-002	3900-0350-001	1210-0097-000	1402-0340-001	1425-0012-002	1802-0087-521	2504-0015-000	1432-0002-004
MUH-50-2	1425-0011-001	5814-0003-000	3900-0350-000	1210-0097-000	1402-0340-001	1425-0012-002	1802-0087-522	2504-0015-000	1432-0002-004
MUH-50-4	1425-0011-001	5814-0003-002	3900-0350-001	1210-0097-000	1402-0340-001	1425-0012-002	1802-0087-523	2504-0015-000	1432-0002-004
MUH-50-8	1425-0011-001	5814-0003-000	3900-0350-002	1210-0097-000	1402-0340-001	1425-0012-002	1802-0087-530	2504-0015-000	1432-0002-004

	⑳	㉑	㉓	㉔	㉖	㉗
Model No.	Relay***	Insulator	Terminal Block, Power	Terminal Block, Control	Fuse Block	Fuse
MUH03-21	-	-	5823-0004-000	5823-0001-000	-	-
MUH03-41	5018-0004-100	2900-0030-000	5823-0004-000	5823-0002-000	-	-
MUH03-71	-	2900-0030-000	5823-0004-000	5823-0001-000	-	-
MUH03-81	-	-	5823-0004-000	5823-0001-000	-	-
MUH05-21	-	-	5823-0004-000	5823-0001-000	-	-
MUH05-41	5018-0004-100	2900-0030-000	5823-0004-000	5823-0002-000	-	-
MUH05-71	-	2900-0030-000	5823-0004-000	5823-0001-000	-	-
MUH05-81	-	-	5823-0004-000	5823-0001-000	-	-
MUH-07-2	5018-0003-000	-	5823-0004-000	5823-0002-000	-	-
MUH-07-4	5018-0004-100	2900-0030-000	5823-0004-000	5823-0002-000	-	-
MUH-07-7	5018-0003-000	2900-0030-000	5823-0004-000	5823-0002-000	-	-
MUH-07-8	5018-0003-000	-	5823-0004-000	5823-0002-000	-	-
MUH-10-2	5018-0003-000	-	5823-0004-000	5823-0002-000	-	-
MUH-10-4	5018-0004-100	2900-0030-000	5823-0004-000	5823-0002-000	-	-
MUH-10-7	5018-0003-000	2900-0030-000	5823-0004-000	5823-0002-000	-	-
MUH-10-8	5018-0004-100	-	5823-0004-000	5823-0002-000	-	-
MUH-15-2	5018-0005-004	-	5823-0004-001	5823-0002-000	-	-
MUH-15-4	5018-0004-100	2900-0030-000	5823-0004-000	5823-0002-000	-	-
MUH-15-8	5018-0005-004	-	5823-0004-003	5823-0002-000	2025-0002-000	2019-0007-010
MUH-20-2	5018-0006-000	-	5823-0004-002	5823-0002-000	-	-
MUH-20-4	5018-0004-100	2900-0030-000	5823-0004-000	5823-0002-000	-	-
MUH-20-8	5018-0005-004	-	5823-0004-002	5823-0002-000	2025-0002-000	2019-0007-008
MUH-25-2	5018-0005-004	-	5823-0004-002	5823-0002-000	480030004	2019-7008-077
MUH-25-4	5018-0005-004	2900-0030-000	5823-0004-001	5823-0002-000	-	-
MUH-30-2	5018-0005-004	-	5823-0004-003	5823-0002-000	480030004	2019-7008-079
MUH-30-4	5018-0005-004	2900-0030-000	5823-0004-001	5823-0002-000	-	-
MUH-30-8	5018-0006-000	-	5823-0005-000	5823-0002-000	480030004	2019-7008-080
MUH-40-2	5018-0005-004	-	5823-0005-000	5823-0002-000	480030004	2019-7008-078
MUH-40-4	*	2900-0030-000	5823-0004-002	5823-0002-000	-	-
MUH-50-2	5018-0005-004	-	5823-0005-000	5823-0002-000	480030004	2019-7008-079
MUH-50-4	*	2900-0030-000	5823-0004-002	5823-0002-000	****	****
MUH-50-8	5018-0006-000	-	5823-0005-000	5823-0002-000	482028000	2019-7008-080

* Two relays are used: 35A relay P/N 5018-0004-100 and 40A relay P/N 5018-0005-004.
 ** 24V secondary shown. For 120V secondary, increase last digit by 3. (i.e. for MUH03-41, 24V secondary use 5814-0003-002; for 120V secondary use 5814-0003-005.)
 *** 24V H.C. shown. For 120 H.C., increase last digit by 1. (i.e.: for MUH03-41, 24V H.C. use 5018-0004-100; for 120V H.C. use 5018-0004-101.)
 **** Two fuse blocks are used 2025-0001-000 (30A), 2025-7004-000 Fuses: 2019-7002-008 (30A), 2019-7002-012 (50A)