

This catalog contains part numbers for the most common replacement parts for QMARK heaters shown in the Table of Contents. Additional parts for these heaters may be available - consult factory for availability. Parts for QMARK heaters not listed in the Table of Contents may be available - consult factory for availability.

**NOTE:** Parts longer than 8' in length cannot ship UPS. Consult factory for shipping information.

## TABLE OF CONTENTS

<b>BASEBOARD</b>	<b>CEILING HEATERS</b>	CRN .....	20
Baseboard Accessories .....	CDF .....	ARL .....	21
CBD .....	EFF .....	CHRR .....	23
HBB .....	QCH .....		
QMK (2500 Series) .....		<b>BUILDER PRODUCTS</b>	
QMKC.....	<b>UNIT HEATERS</b>	BATH VENTS .....	37
	MUH.....	WHOLE HOUSE FANS .....	41
<b>WALL HEATERS</b>	MUH35.....	RESIDENTIAL CEILING FANS.....	43
AWH4000 (WH SERIES) .....	MWUH5004 .....	IRONING CENTERS .....	43
B2400 .....	IUH.....	CENTRAL VACS .....	40
B2451 .....	CU900 .....	ROOF VENTILATORS .....	42
CFWF .....	CHPR25 .....		
CRA (C SERIES).....		<b>INDUSTRIAL PRODUCTS</b>	
CWH1000.....	<b>CONVECTORS</b>	AIR CIRCULATORS .....	34
CWH3000.....	DBA .....	DRUM BLOWERS .....	33
ECP .....	SHA .....	MODULAR LOADING DOCK.....	33
EFQ .....	KCJ .....	COMMERCIAL CEILING FANS .....	32
GFR .....	QDB .....	WALL/BENCH MOUNT .....	33
LFK.....	CPH .....	POWER CATS.....	40
SED .....	CSH .....	EXHAUST FANS .....	41
QFG (G SERIES).....	DSH .....	ROOF VENTS .....	41
	ST .....	AIR CURTAINS .....	35
<b>SPECIALITY HEATERS</b>		LPE .....	42
QTS .....	<b>RADIANT</b>		
WHT.....	RCC .....	<b>PORTABLE</b>	
FDI .....	FRP/FRS.....	BPH4A .....	15
	HRK .....	PH4/PH5 .....	15
	BRM.....		

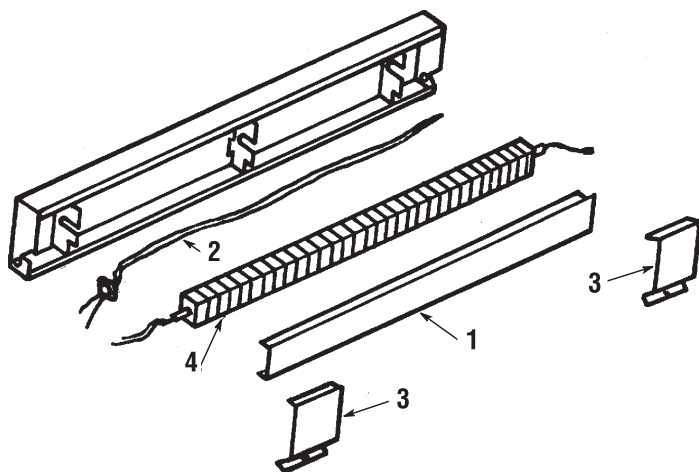
## OBSOLETE PRODUCTS

<b>WALL HEATERS</b>	<b>CONVECTORS</b>	LCHHD30.....	34
AFA .....	KD/KS .....	LCHXN30.....	34
AWH3000.....	ADB .....	LCHIN30 .....	34
CWH2000.....	APH .....		
QD .....	ASH .....	<b>POWER CATS</b>	
QVP .....		400XLH .....	40
A2500 .....	<b>RADIANT</b>		
C Series .....	QRH .....	<b>ROOF VENTS</b>	
G Series .....	RDO .....	MPV200.....	41
<b>UNIT HEATERS</b>	<b>BATH VENTS</b>	<b>AIR CURTAINS</b>	
CU-A .....	TC Series .....	HIGH VOLUME.....	36
CU-B .....			
VUH .....	<b>AIR CIRCULATORS</b>	<b>OTHER</b>	
VUH-A .....	LCHHD24.....	LDH .....	24
	LCHXN24 .....	LSH .....	24
	LCHIN24 .....	TSH .....	30

# BASEBOARDS

## 2500, QMK & QMKC

Key No.	Description	Part Number				
1	Front Cover:	<b>QMK/2500</b>			<b>QMKC</b>	
	2'	1402-2122-027			—	
	2'6"	1402-2122-020			1402-2122-040	
	3'	1402-2122-021			1402-2122-041	
	4'	1402-2122-022			1402-2122-042	
	5'	1402-2122-023			1402-2122-043	
	6'	1402-2122-024			1402-2122-044	
	8'	1402-2122-025			1402-2122-045	
	10'	1402-2122-026			1402-2122-046	
2	Linear Limits:	<b>Standard</b>	<b>High Altitude</b>	<b>Standard</b>	<b>High Altitude</b>	
	2'	4520-2018-000	4520-2019-000	4520-2018-000	4520-2019-000	
	2'6"	4520-2018-001	4520-2019-001	4520-2018-001	4520-2019-001	
	3'	4520-2018-002	4520-2019-002	4520-2018-002	4520-2019-002	
	4'	4520-2018-003	4520-2019-003	4520-2018-003	4520-2019-003	
	5'	4520-2018-004	4520-2019-004	4520-2018-004	4520-2019-004	
	6'	4520-2018-005	4520-2019-005	4520-2018-005	4520-2019-005	
	8'	4520-2018-006	4520-2019-006	4520-2018-006	4520-2019-006	
	10'	4520-2018-007	4520-2019-007	4520-2018-007	4520-2019-007	
3	Junction Box Cover:	1402-2261-000				
	Northern White (NWD)	1402-2261-001				
	Navajo White (WC)	63602-190-05				
	Fawn Fawn A & B	63602-190-01				
4	Element (250 watts/ft.):	<b>120V</b>	<b>208V</b>	<b>240V</b>	<b>277V</b>	<b>240/277V</b>
	2'	1802-2056-003	1802-2056-002	1802-2056-001	1802-2056-000	—
	2'6"	1802-2056-007	1802-2056-006	1802-2056-005	1802-2056-004	—
	3'	1802-2056-011	1802-2056-010	1802-2056-009	1802-2056-008	—
	4'	1802-2044-017	1802-2044-016	1802-2044-015	1802-2044-014	—
	5'	1802-2044-023	1802-2044-022	1802-2044-021	1802-2044-020	—
	6'	1802-2044-029	1802-2044-028	1802-2044-027	1802-2044-026	—
	8'	—	1802-2044-034	1802-2044-033	1802-2044-032	—
	10'	—	1802-2044-038	1802-2044-037	1802-2044-036	—
	Element (188 watts/ft.):					
	3'	1802-2056-013	—	—	—	1802-2056-012
	4'	1802-2044-019	—	—	—	1802-2056-018
	5'	1802-2044-025	—	—	—	1802-2056-024
	6'	1802-2044-031	—	—	—	1802-2056-030
	8'	—	—	—	—	1802-2056-035
10'	—	—	—	—	1802-2056-039	
—	Thermostat, Single Pole	5813-2009-000				
—	Thermostat, Double Pole	5813-2010-000				
—	Knob, S.P. Therm., White	42521-032-10				
—	Knob, S.P. Therm., Fawn	42521-032-01				
—	Knob, D.P. Therm., White	42521-032-08				
—	Knob, D.P. Therm., Fawn	42521-032-02				



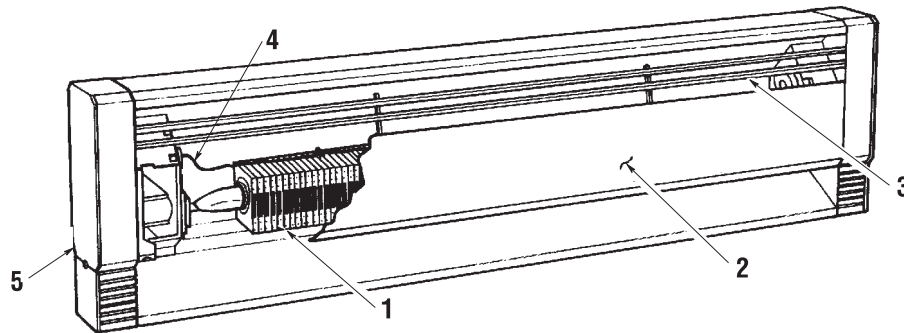
## BASEBOARD & CONVECTOR ACCESSORIES

Model Number	Part Number	
	Knobs	Thermostats
T1	3301-2011-000	5813-2014-000
T2	3301-2011-000	5813-2015-000
T1A	3301-2014-006	410127001
T2A	3301-2020-004	410128001
T4	482053000	41029001
T4A	3301-2014-006	410129001
T5A	3301-2020-004	41013001
TA1AW	42521-032-10	5813-2009-000
TA2AW	42521-032-08	5813-2010-000

# BASEBOARDS

## HBB & CBD

Key No.	Description	Part Number			
		120V	208V	240V	277V
1	Element (HBB):				
	28"	1802-2068-000	1802-2068-005	1802-2068-011	1802-2068-017
	34"	1802-2068-001	1802-2068-006	1802-2068-012	1802-2068-018
	46"	1802-2068-002	1802-2068-007	1802-2068-013	1802-2068-019
	58"	1802-2068-003	1802-2068-008	1802-2068-014	1802-2068-020
	70"	1802-2068-004	1802-2068-009	1802-2068-015	1802-2068-021
	96"	—	1802-2068-010	1802-2068-016	1802-2068-022
	Element (CBD):				
	28"	1802-2056-007	1802-2063-006	1802-2063-005	1802-2063-004
	34"	1802-2056-011	1802-2063-010	1802-2063-009	1802-2063-008
	46"	1802-2063-017	1802-2063-016	1802-2063-015	1802-2063-014
	58"	1802-2063-023	1802-2063-022	1802-2063-021	1802-2063-020
	70"	1802-2094-015	1802-2063-028	1802-2063-027	1802-2063-026
	96"	—	1802-2063-034	1802-2063-033	1802-2063-032
2	Front Cover:	<b>HBB</b>		<b>CBD</b>	
	28"	1402-2066-000		1402-2066-010	
	34"	1402-2066-001		1402-2066-011	
	46"	1402-2066-002		1402-2066-012	
	58"	1402-2066-003		1402-2066-013	
	70"	1402-2066-004		1402-2066-014	
	94"	1402-2066-005		1402-2066-015	
3	Grille:				
	28"	2501-2012-006		2501-2012-006	
	34"	2501-2012-007		2501-2012-007	
	46"	2501-2012-007		2501-2012-007	
	58"	2501-2012-009		2501-2012-009	
	70"	2501-2012-010		2501-2012-010	
	94"	2501-2012-011		2501-2012-011	
4	Linear Limit:	<b>HBB</b>		<b>CBD</b>	
	28"	410122002		4520-2018-001	
	34"	410122003		4520-2018-002	
	46"	410122004		4520-2018-003	
	58"	410122005		4520-2018-004	
	70"	410122006		4520-2018-005	
	94"	410122008		4520-2018-006	
	5	End Cap	1800-2022-000		
—	Thermostat, Single Pole	5813-2014-000			
—	Thermostat, Double Pole	5813-2015-000			
—	Knob, Thermostat	3301-2011-000			

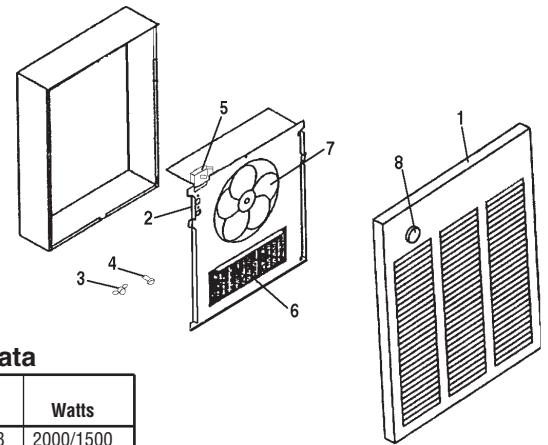




# WALL HEATERS

## LFK

Key No.	Description	Part Number	
		204	204 A
1	Front Cover	1402-2152-000	1402-2239-000
2	Motor: 208V 240V	3900-2010-000 3900-2010-001	3900-2010-000 3900-2010-001
3	Manual Limit	4520-2027-000	4520-2027-000
4	Fan Delay	410074000	410074000
5	Thermostat	5813-2027-000	5813-2027-000
6	Element:		
	208V/2000W	302015801	302015801
	240V/2000W	302015802	302015802
	277V/2000W	302015803	302015803
	277V/3000W	302012806	302012806
	208V/4000W	302012807	302012807
	240V/4000W	302012808	302012808
	240V/3000W	302012809	302012809
	240V/4800W	302012810	302012810
	277V/4800W	302012811	302012811
	347V/3000W	302012819	302012819
	600V/3000W	302012820	302012820
	347V/4000W	302012821	302012821
	600V/4000W	302012822	302012822
	347V/4800W	302012823	302012823
7	Fan Blade	490030103	490030103
8	Knob	3301-2030-001	3301-2030-001



### Reference Data

Catalog Number	Volts	Watts
LFK-204	240/208	2000/1500
LFK-304	240	3000
LFK-404	240/208	4000/3000
LFK-484	240/208	4800/3600

## CWH1000 & CWHDSAG Series

Description	Part Number						
	CWH1101DS	CWH1151DS	CWH1201DS	CWH1202DS	CWH1157DS	CWH1207DS	CWH1208DS
Parts Bag	1205-2004-003	1205-2004-003	1205-2004-003	1205-2004-003	1205-2004-003	1205-2004-003	1205-2004-003
Grille*	2501-2058-000	2501-2058-000	2501-2058-000	2501-2058-000	2501-2058-000	2501-2058-000	2501-2058-000
Element	302023801	302023802	302023808	302023805	302023803	302023806	302023804
Light	3510-2008-003	3510-2008-003	3510-2008-003	3510-2008-002	3510-2008-002	3510-2008-002	3510-2008-002
Fan Delay	410074000	410074000	410074000	410074000	410074000	410074000	410074000
Hi Limit	410143000	410143000	410143000	410143000	410143000	410143000	410143000
Dis. Switch	5216-2021-000	5216-2021-000	5216-2021-000	5216-2021-000	5216-2021-000	5216-2021-000	5216-2021-000
Blade	490061001	490061001	490061001	490061001	490061001	490061001	490061001
Motor	490062001	490062001	490062001	490062003	490062004	490062004	490062002
TStat	5813-2001-000	5813-2001-000	5813-2022-000	5813-2001-000	5813-2001-000	5813-2001-000	5813-2001-000

\* CWHDSAG Series units architectural grille is 2501-2075-000.

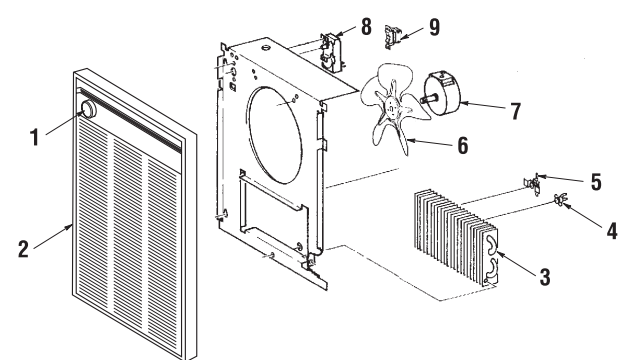
## CWH-3000

Key No.	Description	Part Number		
		CWH-3000	CWH-3000-A	CWH-3000BNW
1	Knob	3301-2016-000	3301-2016-000	3301-2016-000
2	Grille	2501-2019-000	2501-2019-000	2501-2019-001
3	Element:			
	208V/2000W	302015801	302015801	302015801
	208V/4000W	302012807	302012807	302012807
	240V/2000W	302015802	302012802	302012802
	240V/4000W	302012808	302012808	302012808
	277V/2000W	302015803	302015803	302015803
	277V/4000W	302012809	302012809	302012809
	277V/1500W	302015806	302015806	302015806
	277V/3000W	302012806	302012806	302012806
	240V/4800W	302012810	302012810	302012810
	277V/4800W	302012811	302012811	302012811
4	High Limit	410169001	—	—
	Manual Limit	—	4520-2013-000	4520-2027-000
5	Fan Delay	410074000	410074000	410074000
6	Fan Blade	490030103	490030103	490030103
7	Motor:			
	208V	3900-2002-500	3900-2002-000	3900-2010-000
	240V	3900-2002-501	3900-2002-001	3900-2010-001
	277V	3900-2002-501	3900-2002-001	3900-2010-001
8	Thermostat	410168002	410168002	5813-2059-000
9	Disconnect	410170001	410170001	410170001
—	Parts Bag	1205-2027-000	1205-2027-000	1205-2027-000

### Reference Data

Catalog Number	Volts	Ph.	Watts
CWH-3208	208	1	2000
CWH-3408		1	4000
CWH-34083		3	4000
CWH-3204	208/	1	1500/2000
CWH-3404	240	1	3000/4000
CWH-34043	240	3	4000
CWH-3207	240/	1	1500/2000
CWH-3407	277	1	3000/4000

Catalog Number	Volts	Ph.	Watts
CWH-3157	277	1	1500
CWH-3307		1	3000
CWH-3508	208	1	4800
CWH-35083		3	4800
CWH-3504	208/ 240	1	3600/4800
CWH-35043	240	3	4800
CWH-3507	240/ 277	1	3600/4800



# WALL HEATERS

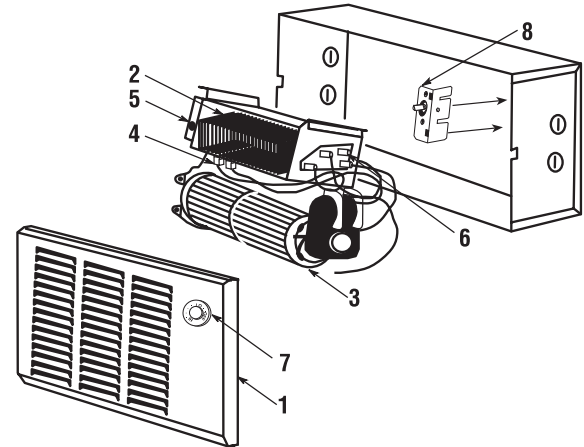
"Click" on part number to view price and availability  
[www.morelectricheating.com](http://www.morelectricheating.com)

## SED

	SED1012C	SED1024C	SED1512	SED2024	SED1512CR
Thermostat	410130001	410130001	410130001	410130001	—
Grille	2501-2054-001	2501-2054-001	2501-2054-000	2501-2054-000	2501-2054-001
Motor	3900-2037-000	3900-2037-001	3900-2037-000	3900-2037-001	3900-2037-000
Hi Limit	4520-2055-000	4520-2055-000	4520-2055-000	4520-2055-000	4520-2055-000
Light	3510-2017-002	3510-2017-003	3510-2017-002	3510-2017-003	3510-2017-002
Parts Bag	1205-2049-500	1205-2049-500	1205-2049-500	1205-2049-501	1205-2049-002
Fan Blade	1210-2008-000	1210-2008-000	1210-2008-000	1210-2008-000	1210-2008-000
Element	1802-2124-003	1802-2124-005	1802-2124-000	1802-2124-005	1802-2124-000

## GFR

Key No.	Description	Part Number		
		R-1500 & T2	R-2004 & T2	R-2404 & T2
1	Grille	2501-2026-000	2501-2026-000	2501-2026-000
2	Element	302023802	302023805	302023809
3	Blower Assembly	1225-2000-000	1225-2000-001	1225-2002-001
4	Wattage Board	1249-2005-000	1249-2005-000	1249-2005-000
	A Models	1249-2005-000	1249-2005-000	1249-2005-000
5	Light	3510-2010-000	3510-2010-000	3510-2010-000
6	High Limit	4520-2025-000	4520-2025-000	4520-2025-001
7	Knob	3301-2014-004	3301-2014-004	3301-2014-004
8	S.P. Thermostat	410129001	410129001	410129001
	D.P. Thermostat	410130001	410130001	410130001
9	High Limit*	410143000	410143000	4520-2029-000



\*Only on models built 1997- present.

## CFWF

Key No.	Description	Part Number
1	Top Front Panel	1402-2312-000
2	Bottom Front Panel	1402-2313-000
3	Top Trim Panel	5806-2004-000
4	Motor	3900-2036-000
5	Relay	5018-2017-001
6	Transformer	5814-0003-000
7	Safety High Limit	4520-2053-000
8	Heating Element Assy	1802-2117-000
9	Fan Blade	1210-2009-000
10	Pilot Light	3510-2018-000

## ECP

Description	Part Number	
	ECP1024	ECP1524
Front Cover, Assembled	1016-0042-500	1016-0042-500
Plug Connector	2701-2029-000	2701-2029-000
Element	302012808	302012803
Safety Limit	4520-2025-001	4520-2025-001

## EFQ

Model Number	Part Number							
	Element (2pcs)	Thermostat	Fan Delay (2pcs)	Manual Reset (2pcs)	Grille	Motor (2pcs)	Fan Blades (2pcs)	Transformer
Q6008	302012808	5813-0023-000	410074000	4520-2027-000	2501-2027-000	3900-2010-000	490030103	—
Q6004	302012809	5813-0023-000	410074000	4520-2027-000	2501-2027-000	3900-2010-001	490030103	—
Q6007	302012806	5813-0023-000	410074000	4520-2027-000	2501-2027-000	3900-2010-001	490030103	—
Q6003	302012819	410168002	410074000	4520-2027-000	2501-2027-000	3900-2010-001	490030103	490015017
Q60048	302012825	410168002	410074000	4520-2027-000	2501-2027-000	3900-2010-001	490030103	490015022
Q6006	302012820	410168002	410074000	4520-2027-000	2501-2027-000	3900-2010-001	490030103	490015013
Q8008	302012807	5813-0023-000	410074000	4520-2027-000	2501-2027-000	3900-2010-000	490030103	—
Q8004	302012808	5813-0023-000	410074000	4520-2027-000	2501-2027-000	3900-2010-001	490030103	—
Q8007	302012809	5813-0023-000	410074000	4520-2027-000	2501-2027-000	3900-2010-001	490030103	—
Q8003	302012821	410168002	410074000	4520-2027-000	2501-2027-000	3900-2010-001	490030103	492215017
Q80048	302012826	410168002	410074000	4520-2027-000	2501-2027-000	3900-2010-001	490030103	490015022
Q8006	302012822	410168002	410074000	4520-2027-000	2501-2027-000	3900-2010-001	490030103	490015013

Note: Disconnect Switch for all units is 5216-2025-000

# WALL HEATERS

## G Series

Model Number	Part Number								
	Parts Bag	Blower ASM.	Clip-n-Fit	Element ASM.	Grille	Light	HI Limit	T-Stat	Knob
G1512IFMB	1205-2031-001	1225-2000-000	1249-2005-000	1802-2125-000	2501-2046-000	3510-2017-001	4520-2059-000	—	—
G2024IFMB	1205-2031-001	1225-2000-001	1249-2005-000	1802-2125-502	2501-2046-000	3510-2017-001	4520-2059-000	—	—
G2224IFMB	1205-2031-001	1225-2002-001	1249-2005-000	1802-2125-001	2501-2046-000	3510-2017-001	4520-2059-000	—	—
G2028IFB	1205-2031-001	1225-2002-001	—	1802-2124-001	2501-2046-000	3510-2017-001	4520-2059-000	—	—
G1512T2MB	1205-2031-000	1225-2000-001	1249-2005-000	—	2501-2046-000	3510-2017-000	4520-2059-000	410130001	3301-2040-001
G2024T2MB	1205-2031-000	1225-2000-001	1249-2005-000	1802-2125-002	2501-2046-000	3510-2017-001	4520-2059-000	1410130001	3301-2040-001
G2224T2MB	1205-2031-000	1225-2002-001	1249-2005-000	1802-2125-001	2501-2046-000	3510-2017-001	4520-2059-000	1410130001	3301-2040-001

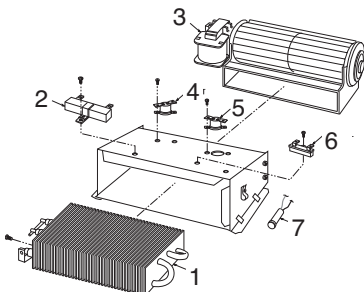
## C Series

Model Number	Part Number									
	Parts Bag	Blade	Element	Light	Grille	Motor	HI Limit	Thermal Fuse	T-Stat	Clip-n-Fit
C1012IFAA	1205-2044-000	1210-2008-000	1802-2124-103	3510-2017-000	2501-2065-000	3900-2017-000	4520-2059-000	4520-2030-000	—	—
C1512IFB	1205-2044-002	1210-2008-000	1802-2127-000	3510-2017-002	2501-2065-000	3900-2017-000	4520-2059-000	4520-2030-000	—	—
C2028IFB	1205-2044-002	1210-2008-000	1802-2127-001	3510-2017-003	2501-2065-000	3900-2035-000	4520-2059-000	4520-2030-000	—	—
C2024IFB	1205-2044-002	1210-2008-000	1802-2127-005	3510-2017-003	2501-2065-000	3900-2017-001	4520-2059-000	4520-2030-000	—	1249-2005-000
C222IFB	1205-2044-002	1210-2008-000	1802-2127-002	3510-2017-003	2501-2065-000	3900-2035-000	4520-2059-000	4520-2030-000	—	1249-2005-000
C1512T2B	1205-2044-001	1210-2008-000	1802-2127-000	3510-2017-002	2501-2065-000	3900-2017-000	4520-2059-000	4520-2030-000	5813-2090-000	1249-2005-000
C2024T2B	1205-2044-001	1210-2008-000	1802-2127-005	3510-2017-003	2501-2065-000	3900-2017-001	4520-2059-000	4520-2030-000	5813-2090-000	1249-2005-000
C2224T2B	1205-2044-001	1210-2008-000	1802-2127-002	3510-2017-003	2501-2065-000	3900-2035-000	4520-2059-000	4520-2030-000	5813-2090-000	1249-2005-000

# FLOOR DROP-IN/KICKSPACE/PUMP HOUSE

## QTS

Key No.	Description	Part Number					
		QTS1500	QTS1500A	QTS1504	QTS1504A	QTS1100A	QTS1104
1	Element Assembly	302023802	302023802	302023806	302023806	302023811	302023803
2	Resistor	—	—	—	—	—	—
3	Motor Assembly	1225-2002-000	1225-2002-001	1225-2002-001	1225-2002-001	1225-2002-000	1225-2002-001
4	Limit	4520-2031-000	4520-2031-000	4520-2031-000	4520-2031-000	4520-2031-000	4520-2031-000
5	Fan Delay	1414-2020-000	1414-2020-000	1414-2020-000	1414-2020-000	1414-2020-000	1414-2020-000
6	Thermal Cutoff	4520-2030-000	4520-2030-000	4520-2030-000	4520-2030-000	4520-2030-000	4520-2030-000
7	Pilot Light	3510-2008-004	3510-2010-000	3510-2010-001	3510-2010-001	3510-2010-000	3510-2010-001
8	Grille	2501-2039-000	2501-2039-000	2501-2039-000	2501-2039-000	2501-2039-000	2501-2039-000
9	Socket Assembly	5220-2003-001	5220-2003-001	5220-2003-000	5220-2003-000	5220-2003-001	5220-2003-000
10	Plug Assembly	—	480044001	—	480044001	480044002	480044001
11	Thermostat	410129001	410129001	410129001	410129001	—	—
12	Knob	3301-2020-006	3301-2020-006	3301-2020-006	3301-2020-006	—	—





# FLOOR DROP-IN/KICKSPACE/PUMP HOUSE

"Click" on part number to view price and availability  
[www.morelectricheating.com](http://www.morelectricheating.com)

## FDI

Description	Part Number					
	FDI		FDI14154MB	FDI14157M1	I 1504	I 1500
	120/208/240V	277V	120/208/240V	277V		
Grille	2501-5016-001	2501-5016-001	2501-5016-001	2501-5016-001	2501-5016-001	2501-5016-001
Screen	5227-5000-001	5227-5000-001	5227-5000-001	5227-5000-001	5227-5000-001	5227-5000-001
Fan Blade	1210-0046-000	1210-0046-000	1210-0046-000	1210-0046-000	1210-0046-000	1210-0046-000
Motor	3900-0544-000	3900-0545-000	3900-0544-000	3900-0545-000	3900-2025-001	3900-2025-000
High Limit	4520-5015-000	4520-5015-000	4520-5015-000	4520-5015-000	4520-5015-001	4520-5015-001
Thermal Fuse	—	—	—	—	4520-2041-000	4520-2041-000
Plug	4506-2006-000	4506-2006-000	4506-2006-001	4506-2006-001	4506-2015-000	—
Receptacle	5005-2000-000	5005-2000-000	5005-2000-000	5005-2000-000	—	—
Element (4 Req'd.)	1802-5032-000	1802-5032-001	1802-5032-000	1802-5032-001	1802-5032-004	1802-5032-000
Thermostat	5813-2052-001	5813-2052-001	5813-2052-001	5813-2052-001	5813-2052-002	5813-5052-002
T-Bracket	1215-5045-001	1215-5045-001	1215-5045-001	1215-5045-001	—	—
T-Clip	1403-5020-000	1403-5020-000	1403-5020-000	1403-5020-000	—	—
Buzzer (2 Req'd.)	—	—	2714-2001-001	2714-2001-001	2714-2001-001	2714-2001-001
Socket	—	—	—	—	5220-2003-001	5220-2003-001

## WHT

Description	Part Number
	HT
Element	1802-2091-000
Thermostat	5813-2062-000
Knob	3301-2020-006

### Reference Data

Catalog Number	Volts	Watts
WHT-500	120	500
	240	500
	208	375

# CEILING HEATERS

## QCH (U-Series)

Description	Part Number
Element: 120V/1000W	302023801
208V/2000W	302023804
240V/2000W	302023805
277V/2000W	302023806
120V/1500W	302023802
Motor: 120V	490062001
208V	490062002
240V	490062003
277V	490062004
Fan Delay	410074000
High Limit	410143000
Fan Blade	490061001
Disconnect	410170001
Grille	1402-2121-000
Plastic Cover*	1402-2119-000

### Reference Data

Catalog Number	Volts	Watts	Model Number
QCH-1101	120	1000	U1000
QCH1208	208	2000	U2008
QCH-1202	240/208	2000/1500	U2004
QCH1207	277/240	2000/1500	U2007
QCH1151	120	1500	U1500

\* Two required



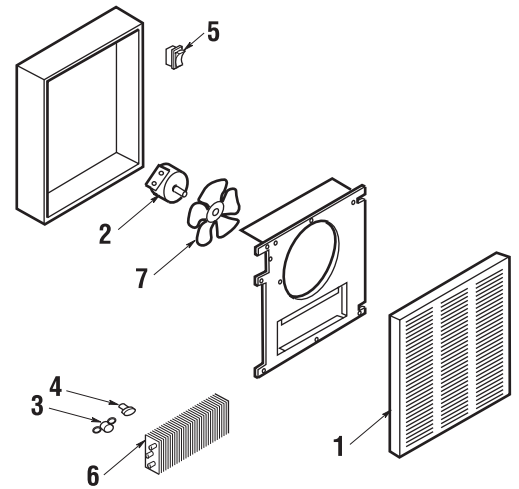
# CEILING HEATERS

## EFF

Key No.	Description	Part Number
1	Grille	1402-2149-000
2	Motor: 208V 240V 277V	3900-2002-500 3900-2002-501 3900-2002-501
3	High Limit	410169001
4	Fan Delay	1414-2039-000
5	Disconnect	410170001
6	Element: 277V/1500W 208V/2000W 240V/2000W 277V/2000W 277V/3000W 208V/4000W 240V/4000W 277V/4000W 240V/4800W 277V/4800W 347V/3000W 347V/4000W 347V/4800W 600V/3000W 600V/4800W 600V/4800	302015806 302015801 302015802 302015803 302012806 302012807 302012808 302012809 302012810 302012811 302012819 302012821 302012823 302012820 302012822 302012824
7	Fan Blade	490030103
	Transformer 347V 600V	490015017 490015013

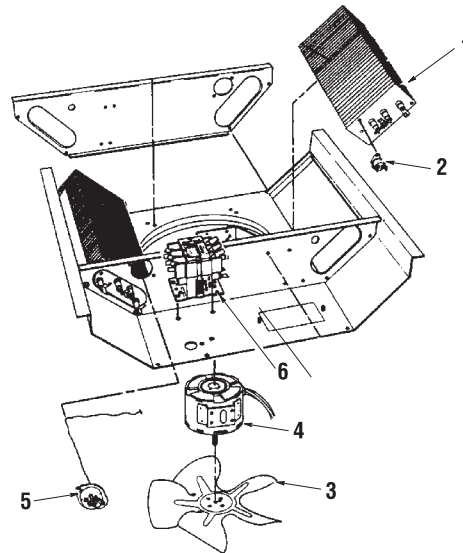
### Reference Data

Catalog Number	Volts	Watts
EFF-2008	208	2000
EFF-4008		4000
EFF-2004	208/240	1500/2000
EFF-4004		3000/4000
EFF-2007	240/277	1500/2000
EFF-4007		3000/4000
EFF-1507	277	1500
EFF-3007		3000
EFF-4804	208/240	3600/4800
EFF-4807	208/277	3600/4800
EFF-3003	347	3000
EFF-4003		4000
EFF-3006	600	3000
EFF-4006		4000
EFF-4803	347	4800
EFF-4806	600	4800



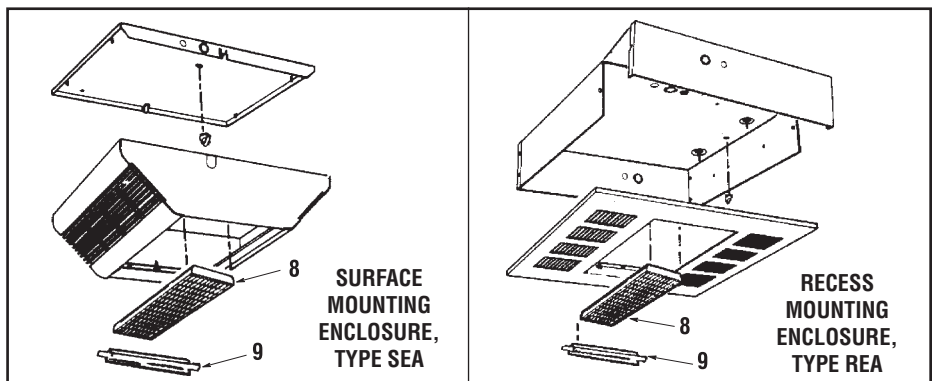
## CDF

Key No.	Description	Part Number
1	Element (2 Req'd.): 277V/2500W 240V/2500W 208V/2500W 277V/2000W 240V/2000W 208V/2000W	302012814 302012813 302012812 302012803 302012802 302012801
2	Fan Delay	410074000
3	Fan Blade	1210-2000-000
4	Motor: 277V 240/208V	3900-2011-001 3900-2011-000
5	High Limit	4520-0011-000
6	Contactora: 277V 240/208V	5018-0004-103 5018-0004-102
8	Outlet Grille (2 Req'd.)	2501-2020-001
9	Louver Guides (REA) (2 Req'd.)	1215-2059-000
	Louver Guides (SEA) (2 Req'd.)	1215-2059-001



### Reference Data

Catalog Number	Volts	Watts	KW
CDF-548	208	1-3	
CDF-542	240	1-3	4/3/2
CDF-547	277	1	
CDF-558	208	1-3	
CDF-552	240	1-3	5/3.8/2.5
CDF-557	277	1	



# UNIT HEATERS

## IUH

Model No.	Part Number							
	Motor	Element	Fan Blade	High Limit	Fuse	Transformer	Contactator	Capacitor
IUH520	3900-2008-000	302006804	1210-2017-000	410027000*	—	—	—	—
IUH524	3900-2008-000	302006807	1210-2017-000	410027000*	—	—	—	—
IUH548	3900-2008-000	302006807	1210-2017-000	410027000*	—	200176902	5018-0004-102	—
IUH560	3900-2008-000	302006839	1210-2017-000	410027000*	—	200176903	5018-0004-102	—
IUH720	3900-2008-000	302006809	1210-2017-000	410027000	—	—	5018-0004-102	—
IUH724	3900-2008-000	302006810	1210-2017-000	410027000	—	—	5018-0004-102	—
IUH727	3900-2008-001	302006811	1210-2017-000	410027000	—	—	5018-0004-103	—
IUH748	3900-2008-000	302006810	1210-2017-000	410027000	—	200176902	5018-0004-102	—
IUH760	3900-2008-000	302006840	1210-2017-000	410027000	—	200176903	5018-0004-102	—
IUH1020	490059004	302006812	490011001	410027000	481001003*	—	5018-0005-006	—
IUH1024	490059004	302006813	490011001	410027000	481001003*	—	5018-0005-006	—
IUH1027	490059004	302006814	490011001	410027000	—	490015009	5018-0005-006	—
IUH1048	490059004	302006813	490011001	410027000	—	490015010	5018-0005-006	—
IUH1060	490059004	302006841	490011001	410027000	—	490015012	5018-0005-006	—
IUH1520	490059004	302006813	490011001	410027000*	481001006**	—	5018-0005-006	—
IUH1524	490059004	302006814	490011001	410027000*	481001006**	—	5018-0005-006	—
IUH1527	490059004	302006812	490011001	410027000*	481001023**	490015009	5018-0005-006	—
IUH1548	490059004	302006814	490011001	410027000*	—	490015010	5018-0005-006	—
IUH1560	490059004	302006842	490011001	410027000*	—	490015012	5018-0005-006	—
IUH2048	490059004	302006813	490011002	410027000*	—	490015010	5018-0005-006	—
IUH2060	490059004	302006841	490011002	410027000*	—	490015012	5018-0005-006	—
IUH2548	490059006	302006829*	490013001	410027000*	—	490015008	5018-0005-006	1432-0002-003
IUH2560	490059006	302006843*	490013001	410027000*	—	490015015	5018-0005-006	1432-0002-003
IUH3048	490059006	302006822*	490013002	410027000*	—	490015008	5018-0005-006	1432-0002-003
IUH3060	490059006	302006844*	490013002	410027000*	—	490015015	5018-0005-006	1432-0002-003

\* Two Needed.

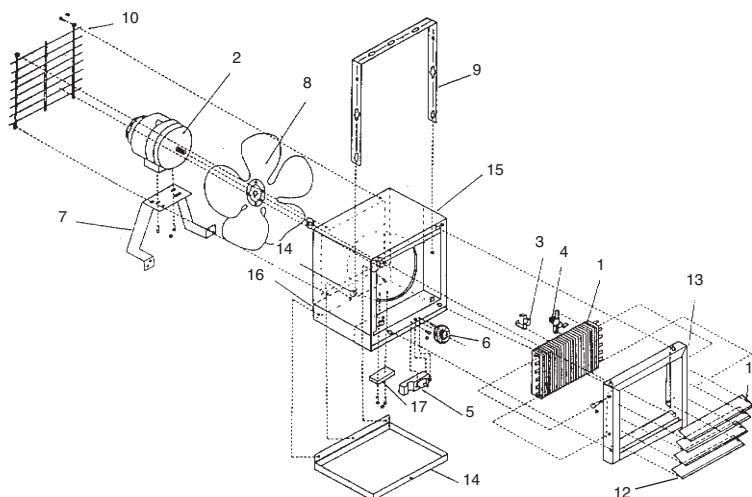
\*\* Six Needed.

### Common Data

Model No.	Part Number	
	Fan Delay	Control Fuse
All Models	410148000	481001003

## MWUH5004

Key No.	Description	Part Number
1	Element	302006807
2	Motor	3900-2008-000
3	Fan Delay Control	410148000
4	High Temperature Limit Control	410027000
5	Thermostat	5813-2050-000
6	Thermostat Knob	3301-2014-006
7	Motor Mount	1215-2235-003
8	Fan Blade	1210-2000-000
9	Ceiling Bracket	310876002
10	Wire Guard	312056802
11	Louver	3503-2004-009
—	Louver Spring	5208-7005-001
12	Bezel Assembly	1219-2015-000
13	Cover (Access Door)	310104902
14	Cover Wrap Assembly	200193902
15	Control Box Assembly	200161902
16	Power Terminal Block	5823-0004-005



# UNIT HEATERS

## MUH

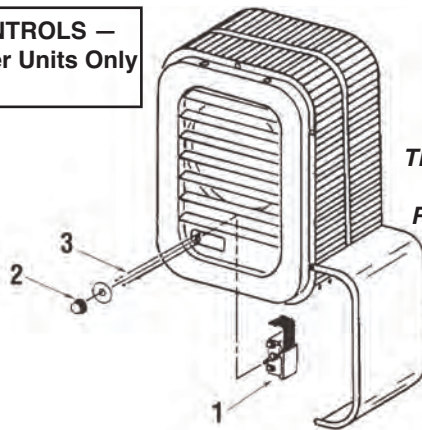
### Built-in Controls

Key No.	Description	Part Number
1	Thermostat, One Pole (MT-1)	5813-0036-000
	Thermostat, Two Stage (MT-2)	5813-0035-000
2	Knob, Thermostat	3301-2020-006
3	Screws, Fl. Hd., 6-32 x 1/4	5202-7009-021
4	Clip, Thermostat	1403-0041-000
5	Switch, 25A, OEM	DS25
	Switch, 25A, K & N	DS25
	Switch, 63A, OEM	5216-2039-000
	Switch 25A, Electro	5216-0200-000
6	Knob, 25A, OEM "T1"	OEM "T1"
	Knob, 25A, K & N	K & N S1B 6001
	Knob, 63A, OEM	OEM "S4"
	Knob, 63A, K & N	K & N S2B 6001
	Knob, Electro	EI 141747
7	Switch, Toggle, 600V	5216-2011-000
8	Relay, Fan, 24V Coil	RFS2
9	Switch Assembly	5216-0199-000
10	Manual Reset Limit	4520-2028-000

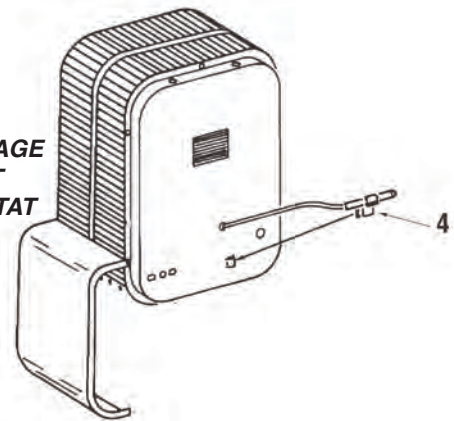
### Heater Replacement Parts (Chart on pg. 13)

Key No.	Description	Part Number
1	Spring, Element (used on MUH03 thru MUH-20 only)	5208-0073-000
	Spring, Element (used on MUH-25 thru MUH-50 only)	5208-0073-001
2	Spring, Capillary Tube	5208-0072-000
3	Spring, Element Retainer	5208-0074-000
4	Switch (used on MUH-25 thru MUH-50 only)	5216-2054-000
5	Insulator (used on MUH-25 thru MUH-50 only)	—
6	Bracket Extension (used on MUH-15, MUH-20, MUH-40 and MUH-50 only)	1215-0282-000
7	Switch Bracket	1215-0256-000
8	Fan Delay	4520-0010-000
14	Speed Nut	4100-7036-026
15	Bracket, Captive Screw (used on MUH-03 thru MUH-20 only)	1215-0291-000
	Bracket, Captive Screw (used on MUH-25 thru MUH-50 only)	1215-0289-000
17	Protector, Linear Limit (used on MUH03 thru MUH05 only)	4520-0011-000
	Protector, Linear Limit (used on MUH-07 thru MUH-20 only)	4520-0011-001
	Protector, Linear Limit (used on MUH-25 thru MUH-50 only)	4520-0011-002
20	Clamp (used on MUH-20 thru MUH-50 only)	—
	Bracket, Mounting Capacitor (used on MUH-20-8 only)	1215-0314-000
22	Terminal Lug (used on MUH-07 thru MUH-50 only)	3504-7002-001
25	Bushing (used on MUH-20 thru MUH-50 only)	25221-60131
26	Washer, Ground (used on MUH03 thru MUH05 only)	6401-0084-000
27	Screw, Ground (used on MUH03 thru MUH05 only)	21424-17128
28	Louver (used on MUH03 thru MUH05 only)	3503-2004-006
	Louver (used on MUH-07 thru MUH-20 only)	3503-2004-007
	Louver (used on MUH-25 thru MUH-50 only)	3503-2004-008
29	Spring, Louver	5208-7005-001
32	Terminal Block, 3-Phase (used on MUH05-21, MUH-07-02, and MUH-10-2 only)	5823-0003-000
	Terminal Block, 3-Phase (used on MUH05-81, MUH-07-8, and MUH-15-8 only)	5823-0003-000
33	Terminal Doublers (used where required)	5819-0031-000

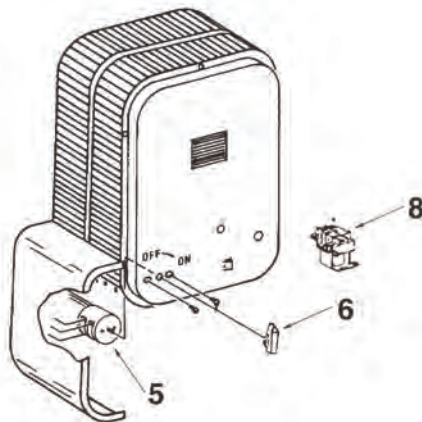
### BUILT-IN CONTROLS — Made-to-Order Units Only



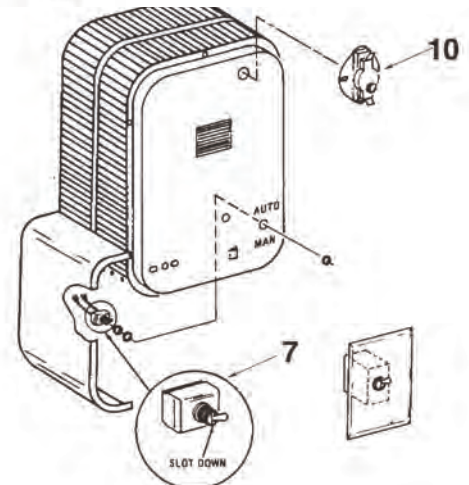
**SINGLE-POLE  
THERMOSTAT, TWO-STAGE  
THERMOSTAT, HEAT  
RECOVERY THERMOSTAT**



**POWER  
DISCONNECT  
SWITCH**

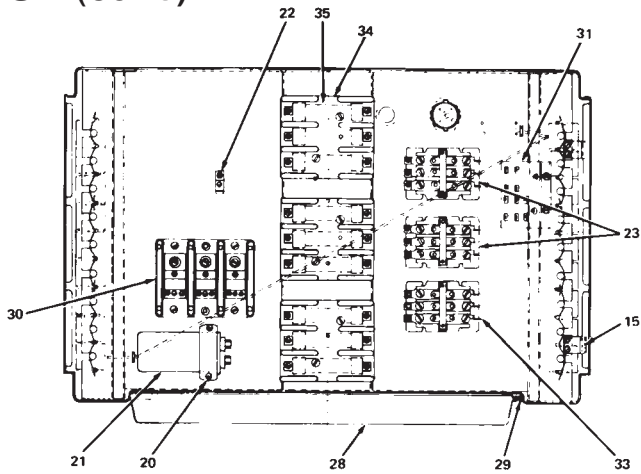


**SUMMER  
FAN  
SWITCH**

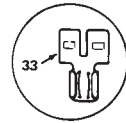


# UNIT HEATERS

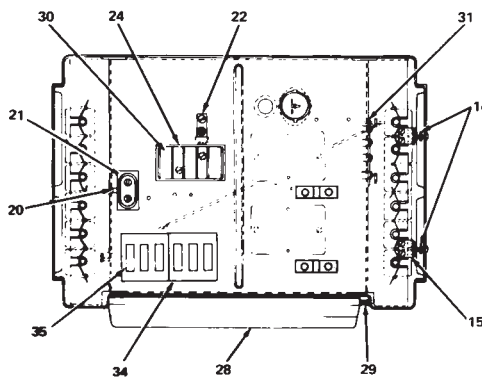
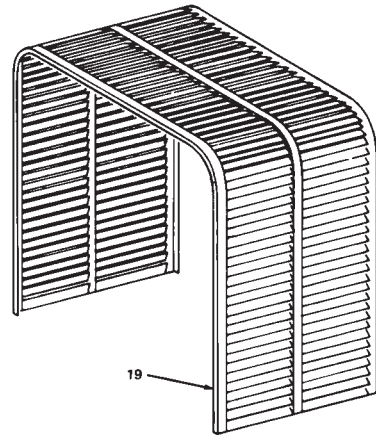
## MUH (Con't.)



**VIEW D-D**  
(MUH-25 THRU MUH-50 ONLY)



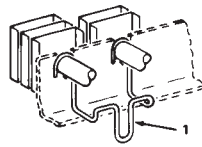
**TERMINAL DOUBLER**  
(USED AS REQUIRED)



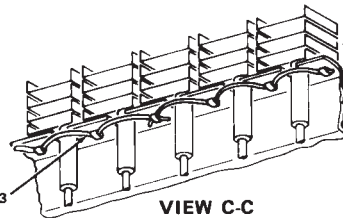
**VIEW D-D**  
(MUH-07 THRU MUH-20 ONLY)



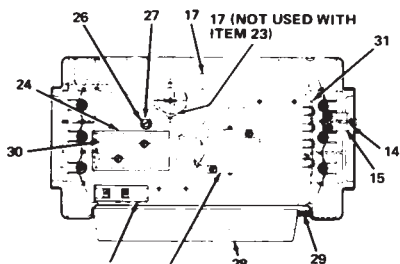
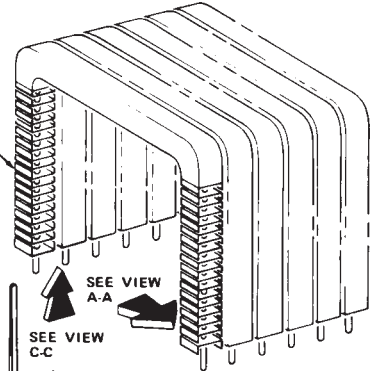
**VIEW A-A**



**VIEW B-B**

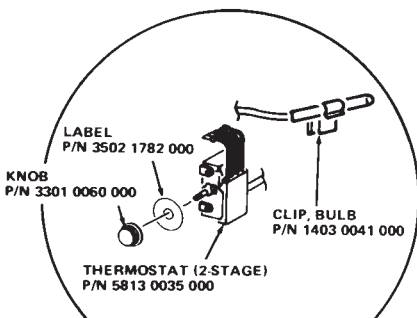
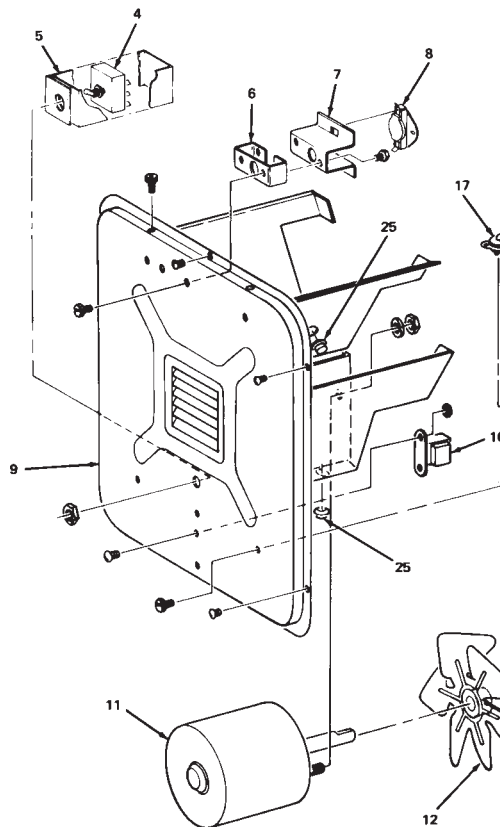


**VIEW C-C**



**VIEW D-D**  
(MUH03 THRU MUH05 ONLY)

23 (NOT USED WHEN TWO ITEM 17 ARE USED)



**THESE PARTS ARE USED**  
**ON MODEL MUH05-21T ONLY**



# UNIT HEATERS

## MUH (Con't.)

Model No.	⑨ Back Case	⑩ Transformer**	⑪ Motor	⑫ Fan Blade	⑬ Cover	⑯ Front Case	⑰ Element Assy.	⑱ Element Guard	⑳ Capacitor
MUH03-21	1425-2004-000	-	3900-2002-506	1210-2000-000	1402-0336-000	1425-0009-005	1802-0087-5 00	2504-0011-001	-
MUH03-41	1425-2004-000	5814-0003-002	3900-2005-000	1210-2000-000	1402-0336-000	1425-0009-005	1802-0087-002	2504-0011-001	-
MUH03-71	1425-2004-000	-	3900-2002-507	1210-2000-000	1402-0336-000	1425-0009-005	1802-0087-001	2504-0011-001	-
MUH03-81	1425-2004-000	-	3900-2002-506	1210-2000-000	1402-0336-000	1425-0009-005	1802-0087-024	2504-0011-001	-
MUH05-21	1425-2004-000	-	3900-2002-506	1210-2000-000	1402-0336-000	1425-0009-005	1802-0087-535	2504-0011-001	-
MUH05-41	1425-2004-000	5814-0003-002	3900-2005-000	1210-2000-000	1402-0336-000	1425-0009-005	1802-0087-505	2504-0011-001	-
MUH05-71	1425-2004-000	-	3900-2002-507	1210-2000-000	1402-0336-000	1425-0009-005	1802-0087-504	2504-0011-001	-
MUH05-81	1425-2004-000	-	3900-2002-506	1210-2000-000	1402-0336-000	1425-0009-005	1802-0087-534	2504-0011-001	-
MUH-07-2	1425-0010-004	5814-0003-000	3900-2014-004	1210-0090-000	1402-0339-000	1425-0009-006	1802-0087-506	2504-0013-000	-
MUH-07-4	1425-0010-004	5814-0003-002	3900-0347-005	1210-0090-000	1402-0339-000	1425-0009-006	1802-0087-508	2504-0013-000	-
MUH-07-7	1425-0010-004	5814-0003-001	3900-2014-004	1210-0090-000	1402-0339-000	1425-0009-006	1802-0087-507	2504-0013-000	-
MUH-07-8	1425-0010-004	5814-0003-000	3900-2014-004	1210-0090-000	1402-0339-000	1425-0009-006	1802-0087-531	2504-0013-000	-
MUH-10-2	1425-0010-004	5814-0003-000	3900-2014-004	1210-0090-000	1402-0339-000	1425-0009-006	1802-0087-531	2504-0013-000	-
MUH-10-4	1425-0010-004	5814-0003-002	3900-0347-005	1210-0090-000	1402-0339-000	1425-0009-006	1802-0087-011	2504-0013-000	-
MUH-10-7	1425-0010-004	5814-0003-001	3900-2014-004	1210-0090-000	1402-0339-000	1425-0009-006	1802-0087-510	2504-0013-000	-
MUH-10-8	1425-0010-004	5814-0003-000	3900-2014-004	1210-0090-000	1402-0339-000	1425-0009-006	1802-0087-536	2504-0013-000	-
MUH-15-2	1425-0014-000	5814-0003-000	3900-0361-500	1210-0090-001	1402-0339-001	1425-0009-009	1802-0087-512	2504-0012-000	-
MUH-15-4	1425-0014-000	5814-0003-002	3900-0361-501	1210-0090-001	1402-0339-001	1425-0009-009	1802-0087-508	2504-0012-000	-
MUH-15-8	1425-0014-000	5814-0003-000	3900-0361-002	1210-0090-001	1402-0339-001	1425-0009-009	1802-0087-537	2504-0012-000	-
MUH-20-2	1425-0013-000	5814-0003-000	3900-0362-000	1210-0096-000	1402-0339-001	1425-0009-011	1802-0087-537	2504-0012-000	1432-0002-003
MUH-20-4	1425-0013-000	5814-0003-002	3900-0362-001	1210-0096-000	1402-0339-001	1425-0009-011	1802-0087-011	2504-0012-000	1432-0002-003
MUH-20-8	1425-0013-000	5814-0003-000	3900-0362-002	1210-0096-000	1402-0339-001	1425-0009-011	1802-0087-526	2504-0012-000	1432-0002-003
MUH-25-2	1425-0011-003	5814-0003-000	3900-0364-000	1210-0098-000	1402-0340-000	1425-0012-003	1802-0087-516	2504-0014-000	1432-0002-003
MUH-25-4	1425-0011-003	5814-0003-002	3900-0363-500	1210-0098-000	1402-0340-000	1425-0012-003	1802-0087-517	2504-0014-000	1432-0002-003
MUH-30-2	1425-0011-003	5814-0003-000	3900-0364-000	1210-0098-000	1402-0340-000	1425-0012-003	1802-0087-518	2504-0014-000	1432-0002-003
MUH-30-4	1425-0011-003	5814-0003-002	3900-0363-500	1210-0098-000	1402-0340-000	1425-0012-003	1802-0087-519	2504-0014-000	1432-0002-003
MUH-30-8	1425-0011-003	5814-0003-000	3900-0364-000	1210-0098-000	1402-0340-000	1425-0012-003	1802-0087-528	2504-0014-000	1432-0002-001
MUH-40-2	1425-0011-001	5814-0003-000	3900-0350-000	1210-0097-000	1402-0340-001	1425-0012-002	1802-0087-520	2504-0015-000	1432-0002-004
MUH-40-4	1425-0011-001	5814-0003-002	3900-0350-001	1210-0097-000	1402-0340-001	1425-0012-002	1802-0087-521	2504-0015-000	1432-0002-004
MUH-50-2	1425-0011-001	5814-0003-000	3900-0350-000	1210-0097-000	1402-0340-001	1425-0012-002	1802-0087-522	2504-0015-000	1432-0002-004
MUH-50-4	1425-0011-001	5814-0003-002	3900-0350-001	1210-0097-000	1402-0340-001	1425-0012-002	1802-0087-523	2504-0015-000	1432-0002-004
MUH-50-8	1425-0011-001	5814-0003-000	3900-0350-002	1210-0097-000	1402-0340-001	1425-0012-002	1802-0087-530	2504-0015-000	1432-0002-004

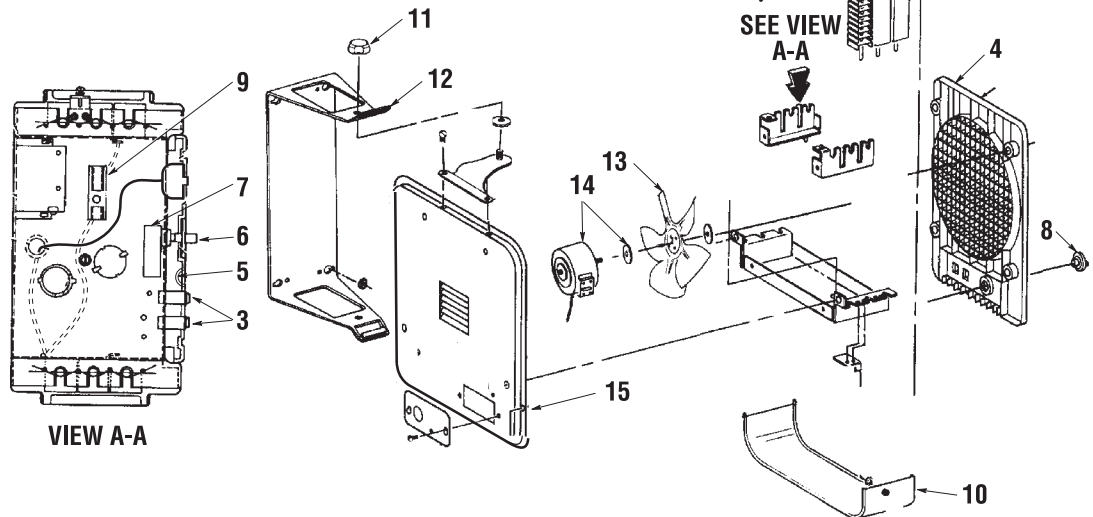
Model No.	⑳ Relay***	㉑ Insulator	㉓ Terminal Block, Power	㉔ Terminal Block, Control	㉖ Fuse Block	㉗ Fuse
MUH03-21	-	-	5823-0004-000	5823-0001-000	-	-
MUH03-41	5018-0004-100	2900-0030-000	5823-0004-000	5823-0002-000	-	-
MUH03-71	-	2900-0030-000	5823-0004-000	5823-0001-000	-	-
MUH03-81	-	-	5823-0004-000	5823-0001-000	-	-
MUH05-21	-	-	5823-0004-000	5823-0001-000	-	-
MUH05-41	5018-0004-100	2900-0030-000	5823-0004-000	5823-0002-000	-	-
MUH05-71	-	2900-0030-000	5823-0004-000	5823-0001-000	-	-
MUH05-81	-	-	5823-0004-000	5823-0001-000	-	-
MUH-07-2	5018-0003-000	-	5823-0004-000	5823-0002-000	-	-
MUH-07-4	5018-0004-100	2900-0030-000	5823-0004-000	5823-0002-000	-	-
MUH-07-7	5018-0003-000	2900-0030-000	5823-0004-000	5823-0002-000	-	-
MUH-07-8	5018-0003-000	-	5823-0004-000	5823-0002-000	-	-
MUH-10-2	5018-0003-000	-	5823-0004-000	5823-0002-000	-	-
MUH-10-4	5018-0004-100	2900-0030-000	5823-0004-000	5823-0002-000	-	-
MUH-10-7	5018-0003-000	2900-0030-000	5823-0004-000	5823-0002-000	-	-
MUH-10-8	5018-0004-100	-	5823-0004-000	5823-0002-000	-	-
MUH-15-2	5018-0005-004	-	5823-0004-001	5823-0002-000	-	-
MUH-15-4	5018-0004-100	2900-0030-000	5823-0004-000	5823-0002-000	-	-
MUH-15-8	5018-0005-004	-	5823-0004-003	5823-0002-000	2025-0002-000	2019-0007-010
MUH-20-2	5018-0006-000	-	5823-0004-002	5823-0002-000	-	-
MUH-20-4	5018-0004-100	2900-0030-000	5823-0004-000	5823-0002-000	-	-
MUH-20-8	5018-0005-004	-	5823-0004-002	5823-0002-000	2025-0002-000	2019-0007-008
MUH-25-2	5018-0005-004	-	5823-0004-002	5823-0002-000	480030004	2019-7008-077
MUH-25-4	5018-0005-004	2900-0030-000	5823-0004-001	5823-0002-000	-	-
MUH-30-2	5018-0005-004	-	5823-0004-003	5823-0002-000	480030004	2019-7008-079
MUH-30-4	5018-0005-004	2900-0030-000	5823-0004-001	5823-0002-000	-	-
MUH-30-8	5018-0006-000	-	5823-0005-000	5823-0002-000	480030004	2019-7008-080
MUH-40-2	5018-0005-004	-	5823-0005-000	5823-0002-000	480030004	2019-7008-078
MUH-40-4	*	2900-0030-000	5823-0004-002	5823-0002-000	-	-
MUH-50-2	5018-0005-004	-	5823-0005-000	5823-0002-000	480030004	2019-7008-079
MUH-50-4	*	2900-0030-000	5823-0004-002	5823-0002-000	****	****
MUH-50-8	5018-0006-000	-	5823-0005-000	5823-0002-000	482028000	2019-7008-080

\* Two relays are used: 35A relay P/N 5018-0004-100 and 40A relay P/N 5018-0005-004.  
 \*\* 24V secondary shown. For 120V secondary, increase last digit by 3. (i.e. for MUH03-41, 24V secondary use 5814-0003-002; for 120V secondary use 5814-0003-005.)  
 \*\*\* 24V H.C. shown. For 120 H.C., increase last digit by 1. (i.e.: for MUH03-41, 24V H.C. use 5018-0004-100; for 120V H.C. use 5018-0004-101.)  
 \*\*\*\* Two fuse blocks are used 2025-0001-000 (30A), 2025-7004-000 Fuses: 2019-7002-008 (30A), 2019-7002-012 (50A)

## MUH-35, PH4 & PH5

Key No.	Description	Part Number			
		MUH-35B	MUH-35C	PH4A	PH4AB
1	Guard	2504-0011-001	2504-0011-001	2504-0011-001	2504-0011-001
2	Element (3 Req'd.)	1802-0087-532	1802-0087-532	1802-0087-038	1802-0087-038
3	Rocker Switch	S99814893A000	S99814893A000	S99814893A000	S99814893A000
4	Grille	1402-2154-001	1402-2154-001	—	1402-2154-001
	Front Case	—	—	1425-2002-001	—
5	Indicator Light	3510-2007-000	3510-2007-000	3510-2007-000	3510-2007-000
6	Knob	3301-2012-001	3301-2012-001	3301-2012-001	3301-2012-001
7	Thermostat	5813-2018-000	5813-2018-000	5813-2018-000	5813-2018-000
8	Manual Limit	4520-2017-000	4520-2017-000	4520-2017-000	4520-2017-000
—	Fan Delay	—	4520-0010-000	—	—
9	Terminal Block	5823-0003-001	5823-0003-001	5823-0003-001	5823-0003-001
10	Control Cover	1402-0336-000	1402-0336-000	1402-0336-000	1402-0336-000
11	Stand Knob (2 Req'd.)	3301-2018-000	3301-2018-000	3301-2018-000	3301-2018-000
12	Stand	5210-2000-004	5210-2000-004	5210-2000-004	5210-2000-004
13	Fan Blade	1210-2000-000	1210-2000-000	1210-2000-000	1210-2000-000
14	Motor	3900-2002-506	3900-2002-506	3900-2002-506	3900-2002-506
15	Back Case	1425-2005-002	1425-2005-002	—	1425-2007-000

Key No.	Description	Part Number		
		PH5HWA	PH5HWAB	PH5HWAC
1	Guard	2504-0011-001	2504-0011-001	2504-0011-001
2	Element (3 Req'd.)	1802-0087-532	1802-0087-532	1802-0087-532
3	Rocker Switch	S99814893A000	S99814893A000	S99814893A000
4	Grille	—	—	—
	Front Case	1425-2002-001	1402-2154-001	1402-2154-001
5	Indicator Light	3510-2007-000	3510-2007-000	3510-2007-000
6	Knob	3301-2000-000	3301-2000-000	3301-2000-000
7	Thermostat	5813-2018-000	5813-2018-000	5813-2018-000
8	Manual Limit	4520-2017-000	4520-2017-000	4520-2017-000
—	Fan Delay	—	—	4520-0010-000
9	Terminal Block	5823-0003-001	5823-0003-001	5823-0003-001
10	Control Cover	1402-0336-000	1402-0336-000	1402-0336-000
11	Stand Knob (2 Req'd.)	3301-2018-000	3301-2018-000	3301-2018-000
12	Stand	5210-2000-004	5210-2000-004	5210-2000-004
13	Fan Blade	1210-2000-000	1210-2000-000	1210-2000-000
14	Motor	3900-2002-506	3900-2002-506	3900-2002-506
15	Back Case	—	1425-2005-002	1425-2005-002



# UNIT HEATERS

## CU 900

### Element Part Numbers

Model	208V		240V		277V		347V		380V		480		600V	
	No. Req.	Part Number	No. Req.	Part Number	No. Req.	Part Number	No. Req.	Part Number	No. Req.	Part Number	No. Req.	Part Number	No. Req.	Part Number
<b>935</b>														
2kW	1	1802-2083-100	1	1802-2083-101	1	1802-2083-114	1	1802-2083-103	1	1802-2083-101	1	1802-2083-114	1	1802-2083-108
3kW	1	1802-2083-107	1	1802-2083-108	1	1802-2083-116	1	1802-2083-105	1	1802-2083-108	1	1802-2083-116	1	1802-2083-105
4kW	1	1802-2083-106	1	1802-2083-107	1	1802-2083-108	1	1802-2083-109	1	1802-2083-107	1	1802-2083-108	1	1802-2083-109
5kW	1	1802-2083-110	1	1802-2083-111	1	1802-2083-120	1	1802-2083-113	1	1802-2083-111	1	1802-2083-120	1	1802-2083-113
6kW	2	1802-2083-107	2	1802-2083-108	2	1802-2083-116	2	1802-2083-105	2	1802-2083-108	2	1802-2083-116	2	1802-2083-105
7kW	1	1802-2083-106	1	1802-2083-107	1	1802-2083-116	1	1802-2083-105	1	1802-2083-107	1	1802-2083-116	1	1802-2083-105
	1	1802-2083-107	1	1802-2083-108	1	1802-2083-108	1	1802-2083-109	1	1802-2083-108	1	1802-2083-108	1	1802-2083-109
8kW	1	1802-2083-107	1	1802-2083-108	1	1802-2083-116	1	1802-2083-105	1	1802-2083-108	1	1802-2083-116	1	1802-2083-105
	1	1802-2083-110	1	1802-2083-111	1	1802-2083-120	1	1802-2083-113	1	1802-2083-111	1	1802-2083-114	1	1802-2083-113
<b>945</b>														
4kW	2	1802-2083-100	2	1802-2083-101	2	1802-2083-114	2	1802-2083-103	2	1802-2083-101	2	1802-2083-114	2	1802-2083-103
6kW	2	1802-2083-107	2	1802-2083-108	2	1802-2083-116	2	1802-2083-105	2	1802-2083-108	2	1802-2083-116	2	1802-2083-105
8kW	2	1802-2083-106	2	1802-2083-107	2	1802-2083-108	2	1802-2083-109	2	1802-2083-107	2	1802-2083-108	2	1802-2083-109
10kW	2	1802-2083-110	2	1802-2083-111	2	1802-2083-120	2	1802-2083-113	2	1802-2083-111	2	1802-2083-120	2	1802-2083-113
12kW	4	1802-2083-107	4	1802-2083-108	4	1802-2083-116	4	1802-2083-105	4	1802-2083-108	4	1802-2083-116	4	1802-2083-105
14kW	2	1802-2083-106	2	1802-2083-107	2	1802-2083-116	2	1802-2083-105	2	1802-2083-107	2	1802-2083-116	2	1802-2083-105
	2	1802-2083-107	2	1802-2083-108	2	1802-2083-108	2	1802-2083-109	2	1802-2083-108	2	1802-2083-108	2	1802-2083-109
16kW	2	1802-2083-107	2	1802-2083-108	2	1802-2083-116	2	1802-2083-105	2	1802-2083-108	2	1802-2083-116	2	1802-2083-105
	2	1802-2083-110	2	1802-2083-111	2	1802-2083-112	2	1802-2083-113	2	1802-2083-111	2	1802-2083-114	2	1802-2083-113

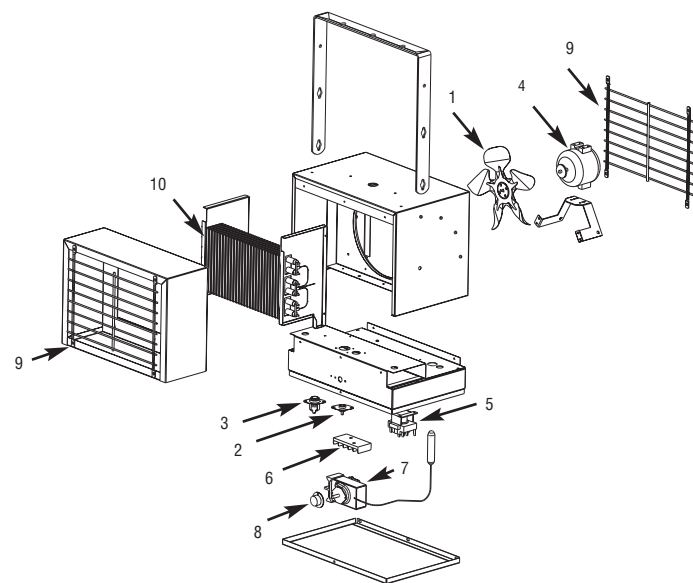
## CU 900

### Parts Common to All Heaters

Description	Part Number	
	Model 935	Model 945
Auto High Limit	410105000	410105000
Blower Wheel	490047001	490047001
Damper Motor	490050001	490050001
Damper Rheostat	410104001	410104001
Damper Rheostat Knob	482084001	482084001
Damper Rocker Switch	410131001	410131001
End Panel	1800-2050-000	1800-2050-000
Fan Auto-Relay (120V)	410101003	410101003
Fan Auto-Relay (24V)	410101001	410101001
Fan Auto-On Switch	5216-2029-001	5216-2029-001
Fan Delay Relay (120V)	410171002	410171002
Fan Delay Relay (24V)	410171001	410171001
Filter (Permanent)	2010-7009-006	2010-7009-007
Filter (Throw-away)	2010-7008-006	2010-7008-007
Front Cover	4513-2116-001	4513-2116-002
Fnt. Cover Interlock Switch	5216-2028-000	5216-2028-000
Fnt. Cover Lock-key Lock	3500-2000-001	3500-2000-001
Fnt. Cover Lock-screw Slot	3500-2000-000	3500-2000-000
Tamper Proof Key	3500-2000-002	3500-2000-002
High-Low Switch	5216-2029-000	5216-2029-000
Louvered Panel N. Gray	4513-2114-001	4513-2114-002
Manual High Limit	4513-2017-000	4513-2017-000
Motor Fuse	481001017	481001017
Night Set-back Relay	410101001	410101001
On-Off Switch	5216-2029-001	5216-2029-001
Plug Button	4506-2012-000	4506-2012-000
Power Relay (120V)	410101003	410101003
Power Relay (24V)	410101001	410101001
Power Transformer	PRI SEC	
	277V 240V	490015007
	347V 240V	490015020
	480/380V 220/208V	490015023
	550/480V 240/208	490015025
	600V 240V	490015026
Thermostat SPST	410127001	410127001
Thermostat 2STG	5813-2008-000	5813-2008-000
Thermostat Knob	3301-2020-001	3301-2020-001
<b>Motors</b>		
Single Shaft	3900-2032-000	3900-2032-000
Double Shaft	3900-2033-000	3900-2033-000
<b>Disconnect Switch</b>		
30 Amp	5216-2033-000	5216-2033-000
60 Amp	5216-2033-001	5216-2033-001
100 Amp	5216-2033-002	5216-2033-002
Disconnect Switch Mounting Plate	4503-2066-001	4503-2066-001

## CHPR25

Key No.	Description	Part Number
1	Fan Blade	1210-2017-000
2.	Time Delay	410171003
3	High Limit	1414-2037-000
4.	Motor - 6 watt unit bearing	3900-2008-000
5.	Relay	1414-2038-000
6.	Terminal Block	5823-0004-000
7.	Thermostat	5813-2091-000
8.	Thermostat Knob	3301-2053-000
9.	Wire Guard	312056-000
10.	Element	302006807





# CONVECTORS

"Click" on part number to view price and availability  
[www.morelectricheating.com](http://www.morelectricheating.com)

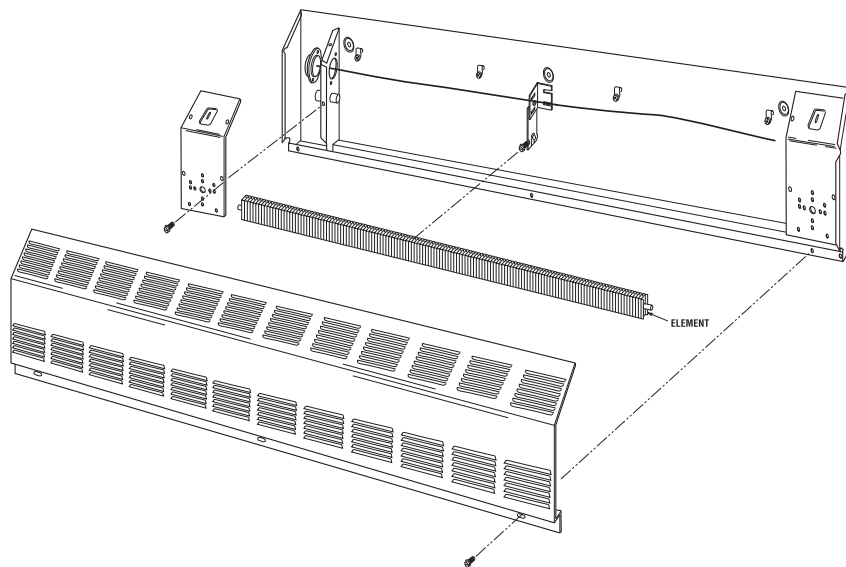
## KCJ

Model	Element	Limit	Switch	Thermostat	Front Cover	Top JB Cover	Bottom JB Cover	Relay
KCJ400	1802-2056-003	4520-2018-000	5216-0124-000	5813-0024-000	1402-2192-006	1402-2193-000	1402-2190-000	N/A
KCJ408	1802-2056-002	4520-2018-000	5216-0124-000	5813-0024-000	1402-2192-006	1402-2193-000	1402-2190-000	N/A
KCJ404	1802-2056-001	4520-2018-000	5216-0124-000	5813-0024-000	1402-2192-006	1402-2193-000	1402-2190-000	N/A
KCJ407	1802-2056-000	4520-2018-000	5216-0124-000	5813-0024-000	1402-2192-006	1402-2193-000	1402-2190-000	N/A
KCJ500	1802-2044-043	4520-2018-001	5216-0124-000	5813-0024-000	1402-2192-001	1402-2193-000	1402-2190-000	N/A
KCJ508	1802-2044-042	4520-2018-001	5216-0124-000	5813-0024-000	1402-2192-001	1402-2193-000	1402-2190-000	N/A
KCJ504	1802-2044-041	4520-2018-001	5216-0124-000	5813-0024-000	1402-2192-001	1402-2193-000	1402-2190-000	N/A
KCJ507	1802-2044-040	4520-2018-001	5216-0124-000	5813-0024-000	1402-2192-001	1402-2193-000	1402-2190-000	N/A
KCJ750	1802-2044-011	4520-2018-002	5216-0124-000	5813-0024-000	1402-2192-002	1402-2193-000	1402-2190-000	N/A
KCJ758	1802-2044-010	4520-2018-002	5216-0124-000	5813-0024-000	1402-2192-002	1402-2193-000	1402-2190-000	N/A
KCJ754	1802-2044-009	4520-2018-002	5216-0124-000	5813-0024-000	1402-2192-002	1402-2193-000	1402-2190-000	N/A
KCJ757	1802-2044-008	4520-2018-002	5216-0124-000	5813-0024-000	1402-2192-002	1402-2193-000	1402-2190-000	N/A
KCJ753	1802-2044-210	4520-2018-002	5216-2054-000	5813-0024-000	1402-2192-002	1402-2193-000	1402-2190-000	410043006
KCJ1000	1802-2044-017	4520-2018-003	5216-0124-000	5813-0024-000	1402-2192-003	1402-2193-000	1402-2190-000	N/A
KCJ1008	1802-2044-016	4520-2018-003	5216-0124-000	5813-0024-000	1402-2192-003	1402-2193-000	1402-2190-000	N/A
KCJ1004	1802-2044-015	4520-2018-003	5216-0124-000	5813-0024-000	1402-2192-003	1402-2193-000	1402-2190-000	N/A
KCJ1007	1802-2044-014	4520-2018-003	5216-0124-000	5813-0024-000	1402-2192-003	1402-2193-000	1402-2190-000	N/A
KCJ1003	1802-2044-216	4520-2018-003	5216-2054-000	5813-0024-000	1402-2192-003	1402-2193-000	1402-2190-000	410043006
KCJ1006	1802-2044-217	4520-2018-003	5216-2054-000	5813-0024-000	1402-2192-003	1402-2193-000	1402-2190-000	410043007
KCJ1250	1802-2044-023	4520-2018-004	5216-0124-000	5813-0024-000	1402-2192-004	1402-2193-000	1402-2190-000	N/A
KCJ1258	1802-2044-022	4520-2018-004	5216-0124-000	5813-0024-000	1402-2192-004	1402-2193-000	1402-2190-000	N/A
KCJ1254	1802-2044-021	4520-2018-004	5216-0124-000	5813-0024-000	1402-2192-004	1402-2193-000	1402-2190-000	N/A
KCJ1257	1802-2044-020	4520-2018-004	5216-0124-000	5813-0024-000	1402-2192-004	1402-2193-000	1402-2190-000	N/A
KCJ1253	1802-2044-222	4520-2018-004	5216-2054-000	5813-0024-000	1402-2192-004	1402-2193-000	1402-2190-000	410043006
KCJ1256	1802-2044-223	4520-2018-004	5216-2054-000	5813-0024-000	1402-2192-004	1402-2193-000	1402-2190-000	410043007
KCJ1500	1802-2044-029	4520-2018-005	5216-0124-000	5813-0024-000	1402-2192-005	1402-2193-000	1402-2190-000	N/A
KCJ1508	1802-2044-028	4520-2018-005	5216-0124-000	5813-0024-000	1402-2192-005	1402-2193-000	1402-2190-000	N/A
KCJ1504	1802-2044-027	4520-2018-005	5216-0124-000	5813-0024-000	1402-2192-005	1402-2193-000	1402-2190-000	N/A
KCJ1507	1802-2044-026	4520-2018-005	5216-0124-000	5813-0024-000	1402-2192-005	1402-2193-000	1402-2190-000	N/A
KCJ1503	1802-2044-228	4520-2018-005	5216-2054-000	5813-0024-000	1402-2192-005	1402-2193-000	1402-2190-000	410043006
KCJ1506	1802-2044-229	4520-2018-005	5216-2054-000	5813-0024-000	1402-2192-005	1402-2193-000	1402-2190-000	410043007
KCJ2008	1802-2044-034	4520-2018-006	5216-0124-000	5813-0024-000	1402-2192-007	1402-2193-000	1402-2190-000	N/A
KCJ2004	1802-2044-033	4520-2018-006	5216-0124-000	5813-0024-000	1402-2192-007	1402-2193-000	1402-2190-000	N/A
KCJ2007	1802-2044-032	4520-2018-006	5216-0124-000	5813-0024-000	1402-2192-007	1402-2193-000	1402-2190-000	N/A
KCJ2003	1802-2044-234	4520-2018-006	5216-2054-000	5813-0024-000	1402-2192-007	1402-2193-000	1402-2190-000	410043006
KCJ2006	1802-2044-235	4520-2018-006	5216-0124-000	5813-0024-000	1402-2192-007	1402-2193-000	1402-2190-000	410043007

# CONVECTORS

## ST

Description	Part Number					
	120V	208V	240V	277V	347V	600V
Element (125 watts/ft.):						
28"	1802-2001-085	1802-2001-086	1802-2001-048	1802-2001-049	—	—
3'	1802-2001-087	1802-2001-088	1802-2001-054	1802-2001-055	1802-2001-220	—
4'	1802-2001-089	1802-2001-090	1802-2001-060	1802-2001-061	1802-2001-230	—
5'	1802-2001-091	1802-2001-092	1802-2001-066	1802-2001-067	1802-2001-240	1802-2001-241
6'	1802-2001-093	1802-2001-094	1802-2001-072	1802-2001-073	1802-2001-250	1802-2001-251
8'	—	1802-2001-095	1802-2001-077	1802-2001-078	1802-2001-260	1802-2001-261
10'	—	1802-2001-096	1802-2001-081	1802-2001-082	1802-2001-270	1802-2001-271
Element (188 watts/ft.)						
28"	1802-2001-005	1802-2001-002	1802-2001-001	1802-2001-000	—	—
3'	1802-2001-011	1802-2001-008	1802-2001-007	1802-2001-006	1802-2001-216	—
4'	1802-2001-017	1802-2001-014	1802-2001-013	1802-2001-012	1802-2001-226	1802-2001-227
5'	1802-2001-023	1802-2001-020	1802-2001-019	1802-2001-018	1802-2001-236	1802-2001-237
6'	1802-2001-029	1802-2001-026	1802-2001-025	1802-2001-024	1802-2001-246	1802-2001-247
8'	—	1802-2001-032	1802-2001-031	1802-2001-030	1802-2001-256	1802-2001-257
10'	—	1802-2001-036	1802-2001-035	1802-2001-034	1802-2001-266	1802-2001-267
Element (250 watts/ft.)						
28"	1802-2001-004	1802-2001-003	1802-2001-002	1802-2001-001	1802-2001-202	—
3'	1802-2001-010	1802-2001-009	1802-2001-008	1802-2001-007	1802-2001-214	—
4'	1802-2001-016	1802-2001-015	1802-2001-014	1802-2001-013	1802-2001-224	1802-2001-225
5'	1802-2001-022	1802-2001-021	1802-2001-020	1802-2001-019	1802-2001-234	1802-2001-235
6'	1802-2001-028	1802-2001-027	1802-2001-026	1802-2001-025	1802-2001-244	1802-2001-245
8'	—	1802-2001-033	1802-2001-032	1802-2001-031	1802-2001-254	1802-2001-255
10'	—	1802-2001-037	1802-2001-036	1802-2001-035	1802-2001-264	1802-2001-265
Junction Box Cover	1402-2250-000	1402-2250-000	1402-2250-000	1402-2250-000	1402-2250-000	1402-2250-000
Disconnect Switch	5216-2006-000	5216-2006-000	5216-2006-000	5216-2006-000	5216-2006-000	5216-2006-000
Front Cover						
28"	1402-2251-000	1402-2251-000	1402-2251-000	1402-2251-000	1402-2251-000	1402-2251-000
3'	1402-2251-001	1402-2251-001	1402-2251-001	1402-2251-001	1402-2251-001	1402-2251-001
4'	1402-2251-002	1402-2251-002	1402-2251-002	1402-2251-002	1402-2251-002	1402-2251-002
5'	1402-2251-003	1402-2251-003	1402-2251-003	1402-2251-003	1402-2251-003	1402-2251-003
6'	1402-2251-004	1402-2251-004	1402-2251-004	1402-2251-004	1402-2251-004	1402-2251-004
8'	1402-2251-005	1402-2251-005	1402-2251-005	1402-2251-005	1402-2251-005	1402-2251-005
10'	1402-2251-006	1402-2251-006	1402-2251-006	1402-2251-006	1402-2251-006	1402-2251-006
Limit						
28"	4520-2018-001	4520-2018-001	4520-2018-001	4520-2018-001	4520-2018-001	4520-2018-001
3'	4520-2018-002	4520-2018-002	4520-2018-002	4520-2018-002	4520-2018-002	4520-2018-002
4'	4520-2018-003	4520-2018-003	4520-2018-003	4520-2018-003	4520-2018-003	4520-2018-003
5'	4520-2018-004	4520-2018-004	4520-2018-004	4520-2018-004	4520-2018-004	4520-2018-004
6'	4520-2018-005	4520-2018-005	4520-2018-005	4520-2018-005	4520-2018-005	4520-2018-005
8'	4520-2018-006	4520-2018-006	4520-2018-006	4520-2018-006	4520-2018-006	4520-2018-006
10'	4520-2018-007	4520-2018-007	4520-2018-007	4520-2018-007	4520-2018-007	4520-2018-007
Thermostats						
Single Pole	5813-0023-000	—	—	—	—	—
Double Pole	5813-0024-000	—	—	—	—	—



# CONVECTORS

"Click" on part number to view price and availability  
[www.morelectricheating.com](http://www.morelectricheating.com)

## DBA/SHA

Description	Part Number			
	120V	208V	240V	277V
*Element (100 watts/ft.) 28" Heater	1802-2001-047	1802-2001-048	1802-2001-049	1802-2001-050
3'	1802-2001-053	1802-2001-054	1802-2001-055	1802-2001-056
4'	1802-2001-059	1802-2001-060	1802-2001-061	1802-2001-062
5'	1802-2001-065	1802-2001-066	1802-2001-067	1802-2001-068
6'	1802-2001-071	1802-2001-072	1802-2001-073	1802-2001-074
8'	—	1802-2001-077	1802-2001-078	1802-2001-079
10'	—	1802-2001-081	1802-2001-082	1802-2001-083
*Element (125 watts/ft.) 28" Heater	1802-2001-085	1802-2001-086	1802-2001-048	1802-2001-049
3'	1802-2001-087	1802-2001-088	1802-2001-054	1802-2001-055
4'	1802-2001-089	1802-2001-090	1802-2001-060	1802-2001-061
5'	1802-2001-091	1802-2001-092	1802-2001-066	1802-2001-067
6'	1802-2001-093	1802-2001-094	1802-2001-072	1802-2001-073
8'	—	1802-2001-095	1802-2001-077	1802-2001-078
10'	—	1802-2001-096	1802-2001-081	1802-2001-082
*Element (150 watts/ft.) 28" Heater	1802-2001-051	1802-2001-001	1802-2001-000	1802-2001-052
3'	1802-2001-057	1802-2001-007	1802-2001-006	1802-2001-058
4'	1802-2001-063	1802-2001-013	1802-2001-012	1802-2001-064
5'	1802-2001-069	1802-2001-019	1802-2001-018	1802-2001-070
6'	1802-2001-075	1802-2001-025	1802-2001-024	1802-2001-076
8'	—	1802-2001-031	1802-2001-030	1802-2001-080
10'	—	1802-2001-035	1802-2001-034	1802-2001-084
*Element (188 watts/ft.) 28" Heater	1802-2001-005	1802-2001-002	1802-2001-001	1802-2001-000
3'	1802-2001-011	1802-2001-008	1802-2001-007	1802-2001-006
4'	1802-2001-017	1802-2001-014	1802-2001-013	1802-2001-012
5'	1802-2001-023	1802-2001-020	1802-2001-019	1802-2001-018
6'	1802-2001-029	1802-2001-026	1802-2001-025	1802-2001-024
8'	—	1802-2001-032	1802-2001-031	1802-2001-030
10'	—	1802-2001-036	1802-2001-035	1802-2001-034
*Element (250 watts/ft.) 28" Heater	1802-2001-004	1802-2001-003	1802-2001-002	1802-2001-001
3'	1802-2001-010	1802-2001-009	1802-2001-008	1802-2001-007
4'	1802-2001-016	1802-2001-015	1802-2001-014	1802-2001-013
5'	1802-2001-022	1802-2001-021	1802-2001-020	1802-2001-019
6'	1802-2001-028	1802-2001-027	1802-2001-026	1802-2001-025
8'	—	1802-2001-033	1802-2001-032	1802-2001-031
10'	—	1802-2001-037	1802-2001-036	1802-2001-035
Linear Limit 28" Heater	4520-0007-007	4520-0007-007	4520-0007-007	4520-0007-007
3'	4520-0007-008	4520-0007-008	4520-0007-008	4520-0007-008
4'	4520-0007-009	4520-0007-009	4520-0007-009	4520-0007-009
5'	4520-0007-010	4520-0007-010	4520-0007-010	4520-0007-010
6'	4520-0007-011	4520-0007-011	4520-0007-011	4520-0007-011
8'	4520-0007-012	4520-0007-012	4520-0007-012	4520-0007-012
10'	4520-0007-013	4520-0007-013	4520-0007-013	4520-0007-013

\* 1, 2, or 3 elements may be required. Voltage and wattage are stamped on end of elements. Divide the wattage by the heater length (feet) to determine watts/foot of element. Then use this data to determine part number of heating element.

## Built-in Controls (Optional)

Description	Part Number
Disconnect Switch	410170001
Thermostat: 2-Stage	5813-0023-000
1-Pole	5813-0024-000
2-Pole	5813-0023-000
Transformer Relay: 120V	R13700002B001
208V	R13700002B002
240V	R13700002B003
277V	R13700002B004
Power Relay: 24V	5018-2006-000
120V	5018-2006-001
208V/240V	5018-2006-002
277V	5018-2006-003

# CONVECTORS

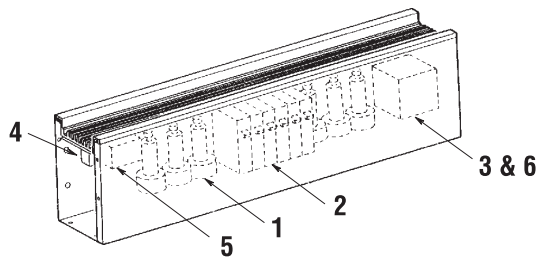
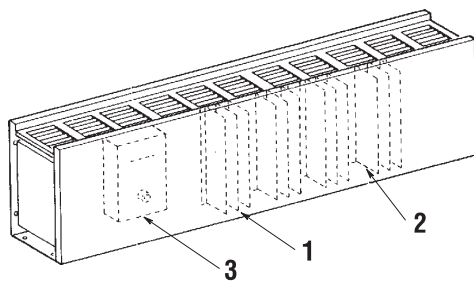
## ADB/ASH/CSH/DSH/APH/CPH/DPH

Description	Part Number			
	120V	208V	240V	277V
*Element (125 watts/ft.) 28" Heater	1802-2001-085	1802-2001-086	1802-2001-048	1802-2001-049
3'	1802-2001-087	1802-2001-088	1802-2001-054	1802-2001-055
4'	1802-2001-089	1802-2001-090	1802-2001-060	1802-2001-061
5'	1802-2001-091	1802-2001-092	1802-2001-066	1802-2001-067
6'	1802-2001-093	1802-2001-094	1802-2001-072	1802-2001-073
8'	—	1802-2001-095	1802-2001-077	1802-2001-078
10'	—	1802-2001-096	1802-2001-081	1802-2001-082
*Element (188 watts/ft.) 28" Heater	1802-2001-005	1802-2001-002	1802-2001-001	1802-2001-000
3'	1802-2001-011	1802-2001-008	1802-2001-007	1802-2001-006
4'	1802-2001-017	1802-2001-014	1802-2001-013	1802-2001-012
5'	1802-2001-023	1802-2001-020	1802-2001-019	1802-2001-018
6'	1802-2001-029	1802-2001-026	1802-2001-025	1802-2001-024
8'	—	1802-2001-032	1802-2001-031	1802-2001-030
10'	—	1802-2001-036	1802-2001-035	1802-2001-034
*Element (250 watts/ft.) 28" Heater	1802-2001-004	1802-2001-003	1802-2001-002	1802-2001-001
3'	1802-2001-010	1802-2001-009	1802-2001-008	1802-2001-007
4'	1802-2001-016	1802-2001-015	1802-2001-014	1802-2001-013
5'	1802-2001-022	1802-2001-021	1802-2001-020	1802-2001-019
6'	1802-2001-028	1802-2001-027	1802-2001-026	1802-2001-025
8'	—	1802-2001-033	1802-2001-032	1802-2001-031
10'	—	1802-2001-037	1802-2001-036	1802-2001-035
Overload Protector: 28" Heater	4520-0007-007			
3'	4520-0007-008			
4'	4520-0007-009			
5'	4520-0007-010			
6'	4520-0007-011			
8'	4520-0007-012			
10'	4520-0007-013			

\* 1, 2, or 3 elements may be required. Voltage and wattage are stamped on end of elements. Divide the wattage by the heater length (feet) to determine watts/foot of element. Then use this data to determine part number of heating element.

### Built-in Controls (Optional)

Key No.	Description	Part Number
1	Master Control: 208V/240V	1414-0038-000
	277V	1414-0038-001
2	Slave: 208V/240V	1414-0039-000
	277V	1414-0039-001
3	SCR Thermostat	5813-0017-000



Key No.	Description	Part Number
1	Mercury Relay: 1-Pole, 30A, 24V Coil	5018-7050-001
	1-Pole, 60A, 24V Coil	5018-7049-001
	1-Pole, 30A, 120V Coil	5018-7050-002
	1-Pole, 60A, 120V Coil	5018-7049-002
	1-Pole, 30A, 208V Coil	5018-7050-003
	1-Pole, 60A, 208V Coil	5018-7049-003
	1-Pole, 30A, 240V Coil	5018-7050-004
	1-Pole, 60A, 240V Coil	5018-7049-004
	1-Pole, 30A, 277V Coil	5018-7050-005
	1-Pole, 60A, 277V Coil	5018-7049-005
2	Circuit Breaker: 2-Pole, 30A	1226-7009-013
	2-Pole, 60A	1226-7009-010
	3-Pole, 30A	1226-7009-005
	3-Pole, 60A	1226-7009-002
3	24V Transformer:	—
	208V Primary	490026001
	240V Primary	490026001
	277V Primary	490026002
4	Disconnect Switch	5216-0124-000
5	Thermostat: 1-Pole	5813-0024-000
	2-Stage	5813-0023-000
6	Pneumatic Control	5216-7027-001
—	Transformer Relay: 120V	R13700002B001
	208V	R13700002B002
	240V	R13700002B003
	277V	R13700002B004
—	Power Relay: 24V	5018-2021-000
	120V	5018-2017-001
	208V/240V	5018-2021-002
	277V	5018-2021-003

# CONVECTORS

## QDB

Description	Part Number		
	Model QDB3 (564 Watts)	Model QDB4 (752 Watts)	Model QDB5 (940 Watts)
Element (188 watts/ft.):			
120V	1802-2016-012	1802-2016-020	1802-2016-030
208V	1802-2016-010	1802-2016-024	1802-2016-034
240V	1802-2016-011	1802-2016-025	1802-2016-035
277V	1802-2016-013	1802-2016-021	1802-2016-031
	Model QDB3 (300 Watts)	Model QDB4 (400 Watts)	Model QDB5 (500 Watts)
Element (100 watts/ft.):			
120V	1802-2016-014	1802-2016-016	1802-2016-026
208V	1802-2016-006	1802-2016-017	1802-2016-027
240V	1802-2016-007	1802-2016-018	1802-2016-028
277V	1802-2016-015	1802-2016-019	1802-2016-029
Front Cover	310124008	310124009	310124010
Top Grille Assembly	310817903	310817904	310817905
Linear Limit	410122003	410122004	410122005
Terminal Box Cover	310527001		
Element Hanger Clip	402020000		

# INFRARED HEATERS

## RCC Model C & D

Key No.	Description	Part Number			
		120V	208V	240V	277V
*	Parts Kit Model C Model D	3303-2031-000 (Includes: Hanging brackets & end caps)			
		3303-2032-000 (Includes: Hanging brackets & end caps)			
	Thermostat	410129001			
	Knob	3301-2020-006			

Note: Replace heater if element is needed.

### Reference Data

Catalog Number	Volts	Watts	Length (Inches)
RCC-4512	120		
RCC-4508	208	450	34
RCC-4524	240		
RCC-6012	120		
RCC-6008	208	600	47
RCC-6024	240		
RCC-6027	277		
RCC-7512	120		
RCC-7508	208	750	59
RCC-7524	240		
RCC-7527	277		
RCC-9012	120		
RCC-9008	208	900	71
RCC-9024	240		
RCC-9027	277		
RCC-10512	120		
RCC-10508	208	1050	83
RCC-10524	240		
RCC-10527	277		
RCC-12012	120		
RCC-12008	208	1200	94
RCC-12024	240		
RCC-12027	277		
RCC-15008	208		
RCC-15024	240	1500	118 1/4
RCC-15027	277		
RCC-18008	208		
RCC-18024	240	1800	132
RCC-18027	277		

## CRN Model B

Description	Part Number
	Element:
CRN1011	1802-7077-001
CRN1081	1802-7077-002
CRN1021	1802-7077-003
CRN1511	1802-7077-004
CRN1581	1802-7077-005
CRN1521	1802-7077-006
CRN1571	1802-7077-007
CRN1531	1802-7077-008
CRN2001	1802-7077-009
CRN2021	1802-7077-010
CRN2071	1802-7077-011
CRN2031	1802-7077-012
CRN2501	1802-7077-013
CRN2521	1802-7077-014
CRN1571	1802-7077-015
CRN1531	1802-7077-016

## QRH

Description	Part Number
Element:	
QRH16-91S-208	3512-7000-009
QRH16-91S-240	3512-7000-003
QRH16-91S-277	3512-7000-012
QRH25-91S-480	3512-7000-004

## DRP

Description	Part Number
Element (2 Req'd.):	
DRP326S8	3512-7000-009
DRP326S2	3512-7000-003
DRP326S7	3512-7000-012
DRP506S4	3512-7000-004

# INFRARED HEATERS

**NOTE: PRIOR TO SEPTEMBER 2003 REPLACED WITH B SERIES**

## ARL4500

Key No.	Description	Part Number
1	*Heating Element: 4500 Watt 208 Volt 240 Volt 480 Volt	HE 45208 HE 45240 HE 45480

\* Includes reflector insert (No. 2) and element hardware (No. 7).

## ARL6000

Key No.	Description	Part Number
1	*Heating Element: 2000 Watt 208 Volt 240 Volt 480 Volt	HE 20208 HE 20240 HE 20480

\* Includes reflector insert (No. 2) and element hardware (No. 7).

## ARL13500

Key No.	Description	Part Number
1	*Heating Element: 4500 Watt 208 Volt 240 Volt 480 Volt	HE 45208 HE 45240 HE 45480

\* Includes reflector insert (No. 2) and element hardware (No. 7).

\*\* Includes protective grille (item 8).

## BRM4500

Key No.	Description	Part Number
1	*Heating Element: 4500 Watt 208 Volt 240 Volt 480 Volt	HE45208 HE45240 HE45480

\* Includes reflector insert and element hardware.

## BRM6000

Key No.	Description	Part Number
1	*Heating Element: 2000 Watt 208 Volt 240 Volt 480 Volt	HE20208 HE20240 HE20480

\* Includes reflector insert and element hardware.

## BRM13500

Key No.	Description	Part Number
1	*Heating Element: 4500 Watt 208 Volt 240 Volt 480 Volt	HE45208 HE45240 HE45480

\* Includes reflector insert and element hardware.

## ARL Series B

Key No.	Description	Part Number
1	Heating Element: 1500 Watt	1802-7076-001
1	Heating Element: 2000 Watt ARL2081 ARL2021 ARL2071 ARL2041 ARL2061	1802-7076-002 1802-7076-003 1802-7076-004 1802-7076-005 1802-7076-006
1	Heating Element: 4500 Watt ARL4581 ARL4521 ARL4571 ARL4541 ARL4561	1802-7076-007 1802-7076-008 1802-7076-009 1802-7076-010 1802-7076-011

## BRM Series B

Key No.	Description	Part Number
1	*Heating Element: 2000 Watt BRM2081 BRM2021 BRM2041 BRM2061	1802-7076-002 1802-7076-003 1802-7076-005 1802-7076-006
1	*Heating Element: 4500 Watt BRM4581 BRM4521 BRM4541 BRM4561	1802-7076-007 1802-7076-008 1802-7076-010 1802-7076-011
1	*Heating Element: 6000 Watt BRM6083 BRM6023 BRM6071 BRM6043 BRM6063	1802-7076-002 1802-7076-003 1802-7076-004 1802-7076-005 1802-7076-006
1	*Heating Element: 13500 Watt BRM13583 BRM13523 BRM13571 BRM13543 BRM13563	1802-7076-007 1802-7076-008 1802-7076-009 1802-7076-010 1802-7076-011

# INFRARED HEATERS

## RP / RS - 2 Element

Key No.	Description	Part Number		
		RP/RS024	RP/RS033	RP/RS046
1	Reflector 30 Degree Sym. 60 Degree Sym. 60 Degree Asym. 90 Degree Sym.	5007-2010-000	5007-2010-001	5007-2010-002
		5007-2009-000	5007-2009-001	5007-2009-002
		5007-2011-000	5007-2011-001	5007-2011-002
		5007-2009-000	5007-2009-001	5007-2009-002
2	Terminal Block (4 Req'd.)	1224-0049-000	1224-0049-000	1224-0049-000
3	Element Terminal Bush. (4 Req'd.)	1213-0070-000	1213-0070-000	1213-0070-000
	Parts Bag	1205-2046-000	1205-2046-000	1205-2046-000

## RP / RS - 3 Element

Key No.	Description	Part Number		
		RP/RS024	RP/RS033	RP/RS046
1	Reflector 30 Degree Sym. 60 Degree Sym. 60 Degree Asym. 90 Degree Sym.	5007-2017-000	5007-2017-001	5007-2017-002
		5007-2016-000	5007-2016-001	5007-2016-002
		5007-2018-000	5007-2018-001	5007-2018-002
		5007-2016-000	5007-2016-001	5007-2016-002
2	Terminal Block (4 Req'd.)	1224-0049-000	1224-0049-000	1224-0049-000
3	Element Terminal Bush. (4 Req'd.)	1213-0070-000	1213-0070-000	1213-0070-000
	Parts Bag	1205-2046-000	1205-2046-000	1205-2046-000

## RK4 & RK5

RK Series	Terminal Cover Long	Terminal Cover Short	Element Quartz	Reflector	Chain Jack 2 Req.	"S" Hook 4 Req.
JRK41512	1402-2275-000	1402-2275-001	1802-2113-501	5007-2013-000	1404-2000-001	2706-2000-000
JRK42020	1402-2275-000	1402-2275-001	1802-2113-509	5007-2013-000	1404-2000-001	2706-2000-000
JRK42024	1402-2275-000	1402-2275-001	1802-2113-510	5007-2013-000	1404-2000-001	2706-2000-000
JRK42027	1402-2275-000	1402-2275-001	1802-2113-511	5007-2013-000	1404-2000-001	2706-2000-000
JRK42034	1402-2275-000	1402-2275-001	1802-2113-512	5007-2013-000	1404-2000-001	2706-2000-000
JRK42048	1402-2275-000	1402-2275-001	1802-2113-513	5007-2013-000	1404-2000-001	2706-2000-000
JRK42060	1402-2275-000	1402-2275-001	1802-2113-514	5007-2013-000	1404-2000-001	2706-2000-000
JRK53020	1402-2275-000	1402-2275-001	1802-2113-515	5007-2013-001	1404-2000-001	2706-2000-000
JRK53024	1402-2275-000	1402-2275-001	1802-2113-516	5007-2013-001	1404-2000-001	2706-2000-000
JRK53027	1402-2275-000	1402-2275-001	1802-2113-517	5007-2013-001	1404-2000-001	2706-2000-000
JRK53034	1402-2275-000	1402-2275-001	1802-2113-518	5007-2013-001	1404-2000-001	2706-2000-000
JRK53048	1402-2275-000	1402-2275-001	1802-2113-519	5007-2013-001	1404-2000-001	2706-2000-000
JRK53060	1402-2275-000	1402-2275-001	1802-2113-520	5007-2013-001	1404-2000-001	2706-2000-000



# INFRARED HEATERS

## RR4 & RR5

Key No.	Description	Part Number	
		RR4	RR5
1	Element	1802-2113-501	1802-2113-516
2	Chain Jet 4 ft (2 Req'd.)	1404-2000-001	1404-2000-001
3	"S" Hook (4 Req'd.)	2706-2000-000	2706-2000-000
4	Wire Guard	2504-2016-000	2504-2016-001
5	Cord Set	1420-2016-000	1420-2016-001

## RR105 / RR110

Key No.	Description	Part Number	
		RR105	RR110
1	Element	1802-2119-500	1802-2119-500
2	Chain Jet 4 ft (2 Req'd.)	1404-2000-001	1404-2000-001
3	"S" Hook (4 Req'd.)	2706-2000-000	2706-2000-000
4	Wire Guard	2504-2017-000	2504-2017-000
5	Cord Set	1420-2016-000	1420-2016-003
6	Ceramic Block (2 Req'd.)	1224-2006-000	-
	Ceramic Block (4 Req'd.)	-	1224-2006-000
7	Toggle Switch (2 Req'd.)	-	410024000

## RR220 / RR357

Key No.	Description	Part Number	
		RR220	RR357
1	Element	1802-0070-509	1802-0070-550
2	Chain Jet 4 ft (2 Req'd.)	1404-2000-001	1404-2000-001
3	"S" Hook (4 Req'd.)	2706-2000-000	2706-2000-000
4	Wire Guard	2504-2015-000	2504-2014-000
5	Cord Set	1420-2016-002	1420-2017-000
6	Terminal Block (4 Req'd.)	1224-0049-000	-
	Terminal Block (8 Req'd.)	-	1224-0049-000
7	Element Terminal Bush. (4 Req'd.)	1213-0070-000	-
	Element Terminal Bush. (8 Req'd.)	-	1213-0070-000
8	Toggle Switch (2 Req'd.)	5216-2011-000	5216-2011-000

# OBSOLETE STORAGE HEATERS

(Some parts may be obsolete and no longer available)

## LDH

Replacement Parts Identification							
Description	Part Number	LDH200	LDH300	LDH400	LDH500	LDH600	LDH750
Top Panel	1402-2266-VAR	000	000	001	002	002	003
End Panel	1800-2057-000	-	-	-	-	-	-
Front Panel	1402-2310-VAR	004	004	005	006	006	007
Grille	1016-0011-VAR	000	000	001	002	002	003
Wall Bracket	1215-2148-000	-	-	-	-	-	-
Charge Ctrl. Knob	3301-2045-001	-	-	-	-	-	-
Charge Ctrl.	1414-2024-001	-	-	-	-	-	-
Fan Assembly (R)	1225-2009-001	-	-	-	-	-	2 pcs
Fan Assembly (L)	1225-2008-001	n/a	n/a	-	-	-	-
High Limit Safety Ctrl.	4520-2046-000	-	-	-	-	-	-
Power Relay	5018-2006-002	1pc	1pc	1pc	2pcs	2pcs	2pcs
Charge Resistor	5017-2004-000	-	-	-	-	-	-
Pilot Light	3510-2015-000	-	-	-	-	-	-
Lens for Pilot Light	3508-2001-000	-	-	-	-	-	-
Element (3 per htr.)	1802-2108-VAR	000	001	002	004	005	n/a
Element (3 per htr.)	1802-2137-000	n/a	n/a	n/a	n/a	n/a	3 pcs

## LSH

### Replacement Parts Identification

Description	LSH751 750 Watts	LSH850 850 Watts	LSH151 1500 Watts	LSH170 1700 Watts	LSH250 2500 Watts	LSH340 3400 Watts
Input Knob	3301-2048-004	3301-2048-004	3301-2048-004	3301-2048-004	3301-2048-004	3301-2048-004
Output Knob	3301-2048-003	3301-2048-003	3301-2048-003	3301-2048-003	3301-2048-003	3301-2048-003
Charge Control	1414-2021-000	1414-2021-000	1414-2021-000	1414-2021-000	1414-2021-000	1414-2021-000
Heating Element	1802-2023-000	1802-2015-000	1802-2023-000	1802-2015-000	1802-2015-000	1802-2015-000
Terminal Block	5823-2008-000	5823-2008-000	5823-2008-000	5823-2008-000	5823-2008-000	5823-2008-000
Thermal Cutout	4520-2049-000	4520-2049-000	4520-2049-000	4520-2049-000	4520-2049-000	4520-2049-000
Front Cover	1402-2260-800	1402-2260-800	1402-2260-801	1402-2260-801	1402-2260-802	1402-2260-803
Pilot Light	3510-2015-001	3510-2015-000	3510-2015-001	3510-2015-000	3510-2015-000	3510-2015-000

# OBSOLETE WALL HEATERS

"Click" on part number to view price and availability  
[www.morelectricheating.com](http://www.morelectricheating.com)

(Some parts may be obsolete and no longer available)

## G Series

Model Number	Part Number								
	Parts Bag	Blower ASM.	Clip-n-Fit	Element ASM.	Grille	Light	HI Limit	T-Stat	Knob
G1512IF	1205-2031-000	1225-2000-000	—	1802-2124-000	2501-2046-000	3510-2017-000	4520-2059-000	—	—
G1512IFMA	1205-2031-001	1225-2000-000	1249-2005-000	—	2501-2046-000	3510-2017-000	4520-2059-000	—	—
G2024IF	1205-2031-001	1225-2000-001	—	1802-2124-005	2501-2046-000	3510-2017-001	4520-2059-000	—	—
G2024IFMA	1205-2031-001	1225-2000-001	1249-2005-000	—	2501-2046-000	3510-2017-001	4520-2059-000	—	—
G2224IF	1205-2031-001	1225-2000-001	—	—	2501-2046-000	3510-2017-001	4520-2059-000	—	—
G2224IFMA	1205-2031-001	1225-2002-001	1249-2005-000	—	2501-2046-000	3510-2017-001	4520-2059-000	—	—
G2028IF	1205-2031-001	1225-2000-001	—	—	2501-2046-000	3510-2017-001	4520-2059-000	—	—
G2028IFMA	1205-2031-001	1225-2002-001	—	—	2501-2046-000	3510-2017-001	4520-2059-000	—	—
G1512T2M	1205-2031-000	1225-2000-001	1249-2005-000	—	2501-2046-000	3510-2017-000	4520-2059-000	410130001	3301-2040-001
G2024T2M	1205-2031-000	1225-2000-001	1249-2005-000	—	2501-2046-000	3510-2017-001	4520-2059-000	410130001	3301-2040-001
G2024T2MA	1205-2031-000	1225-2000-001	1249-2005-000	—	2501-2046-000	3510-2017-001	4520-2059-000	410130001	3301-2040-001
G2224T2M	1205-2031-000	1225-2000-001	1249-2005-000	—	2501-2046-000	3510-2017-001	4520-2059-000	1410130001	3301-2040-001
G2224T2MA	1205-2031-000	1225-2002-001	1249-2005-000	—	2501-2046-000	3510-2017-001	4520-2059-000	1410130001	3301-2040-001

## C Series

Model Number	Part Number									
	Parts Bag	Blade	Element	Light	Grille	Motor	HI Limit	Thermal Fuse	T-Stat	Clip-n-Fit
C1012IF	1205-2044-000	1210-2008-000	—	3510-2017-000	2501-2065-000	3900-2017-000	4520-2059-000	4520-2030-000	—	—
C1012IFA	1205-2044-000	1210-2008-000	1802-2124-003	3510-2017-000	2501-2065-000	3900-2017-000	4520-2059-000	4520-2030-000	—	—
C1012IFAA	1205-2044-000	1210-2008-000	1802-2124-103	3510-2017-000	2501-2065-000	3900-2017-000	4520-2059-000	4520-2030-000	—	—
C1512IF	1205-2044-000	1210-2008-000	1802-2124-000	3510-2017-000	2501-2065-000	3900-2017-000	4520-2059-000	4520-2030-000	—	—
C1512IFA	1205-2044-000	1210-2008-000	1802-2124-000	3510-2017-000	2501-2065-000	3900-2017-000	4520-2059-000	4520-2030-000	—	—
C1512IFAA	1205-2044-000	1210-2008-000	1802-2124-000	3510-2017-000	2501-2065-000	3900-2017-000	4520-2059-000	4520-2030-000	—	—
C2028IF	1205-2044-000	1210-2008-000	—	3510-2017-001	2501-2065-000	3900-2035-000	4520-2059-000	4520-2030-000	—	—
C2028IFA	1205-2044-000	1210-2008-000	1802-2124-001	3510-2017-001	2501-2065-000	3900-2035-000	4520-2059-000	4520-2030-000	—	—
C0724IF	1205-2044-000	1210-2008-000	1802-2124-004	3510-2017-001	2501-2065-000	3900-2017-001	4520-2059-000	4520-2030-000	—	—
C0724IFA	1205-2044-000	1210-2008-000	1802-2124-004	3510-2017-001	2501-2065-000	3900-2017-001	4520-2059-000	4520-2030-000	—	—
C1024IF	1205-2044-000	1210-2008-000	1802-2124-005	3510-2017-001	2501-2065-000	3900-2017-001	4520-2059-000	4520-2030-000	—	—
C1024IFA	1205-2044-000	1210-2008-000	1802-2124-005	3510-2017-001	2501-2065-000	3900-2017-001	4520-2059-000	4520-2030-000	—	—
C1524IF	1205-2044-000	1210-2008-000	1802-2124-004	3510-2017-001	2501-2065-000	3900-2017-001	4520-2059-000	4520-2030-000	—	—
C1524IFA	1205-2044-000	1210-2008-000	1802-2124-004	3510-2017-001	2501-2065-000	3900-2017-001	4520-2059-000	4520-2030-000	—	—
C2024IF	1205-2044-000	1210-2008-000	1802-2124-005	3510-2017-001	2501-2065-000	3900-2017-001	4520-2059-000	4520-2030-000	—	—
C2024IFA	1205-2044-000	1210-2008-000	1802-2124-005	3510-2017-001	2501-2065-000	3900-2017-001	4520-2059-000	4520-2030-000	—	—
C2224IF	1205-2044-000	1210-2008-000	—	3510-2017-001	2501-2065-000	3900-2035-000	4520-2059-000	4520-2030-000	—	1249-2005-000
C2224IFA	1205-2044-000	1210-2008-000	1802-2124-002	3510-2017-001	2501-2065-000	3900-2035-000	4520-2059-000	4520-2030-000	—	1249-2005-000
C0512T2	1205-2044-001	1210-2008-000	—	1802-2017-000	2501-2065-000	3900-2017-000	4520-2059-000	4520-2030-000	410130001	1249-2005-000
C0512T2A	1205-2044-001	1210-2008-000	1802-2124-003	3510-2017-000	2501-2065-000	3900-2017-000	4520-2059-000	4520-2030-000	410130001	1249-2005-000
C0512T2AA	1205-2044-001	1210-2008-000	1802-2124-100	3510-2017-000	2501-2065-000	3900-2017-000	4520-2059-000	4520-2030-000	410130001	1249-2005-000
C1012T2	1205-2044-001	1210-2008-000	—	3510-2017-000	2501-2065-000	3900-2017-000	4520-2059-000	4520-2030-000	410130001	1249-2005-000
C1012T2A	1205-2044-001	1210-2008-000	1802-2124-003	3510-2017-000	2501-2065-000	3900-2017-000	4520-2059-000	4520-2030-000	410130001	1249-2005-000
C1012T2AA	1205-2044-001	1210-2008-000	1802-2124-103	3510-2017-000	2501-2065-000	3900-2017-000	4520-2059-000	4520-2030-000	410130001	1249-2005-000
C1515T2	1205-2044-001	1210-2008-000	1802-2124-000	3510-2017-000	2501-2065-000	3900-2017-000	4520-2059-000	4520-2030-000	410130001	1249-2005-000
C1512T2A	1205-2044-001	1210-2008-000	1802-2124-000	3510-2017-000	2501-2065-000	3900-2017-000	4520-2059-000	4520-2030-000	410130001	1249-2005-000
C1512T2AA	1205-2044-001	1210-2008-000	1802-2124-100	3510-2017-000	2501-2065-000	3900-2017-000	4520-2059-000	4520-2030-000	410130001	1249-2005-000
CRA1024T2	1205-2044-001	1210-2008-000	1802-2124-005	3510-2017-001	2501-2065-000	3900-2017-000	4520-2059-000	4520-2030-000	410130001	1249-2005-000
C1024T2A	1205-2044-001	1210-2008-000	1802-2124-005	3510-2017-001	2501-2065-000	3900-2017-001	4520-2059-000	4520-2030-000	410130001	1249-2005-000
C1524T2	1205-2044-001	1210-2008-000	1802-2124-004	3510-2017-001	2501-2065-000	3900-2017-001	4520-2059-000	4520-2030-000	410130001	1249-2005-000
C1524T2A	1205-2044-001	1210-2008-000	1802-2124-004	3510-2017-001	2501-2065-000	3900-2017-001	4520-2059-000	4520-2030-000	410130001	1249-2005-000
C2024T2	1205-2044-001	1210-2008-000	1802-2124-005	3510-2017-001	2501-2065-000	3900-2017-001	4520-2059-000	4520-2030-000	410130001	1249-2005-000
C2024T2A	1205-2044-001	1210-2008-000	1802-2124-005	3510-2017-001	2501-2065-000	3900-2017-001	4520-2059-000	4520-2030-000	410130001	1249-2005-000
C2224T2	1205-2044-001	1210-2008-000	—	3510-2017-001	2501-2065-000	3900-2035-000	4520-2059-000	4520-2030-000	410130001	1249-2005-000
C2224T2A	1205-2044-001	1210-2008-000	1802-2124-002	3510-2017-001	2501-2065-000	3900-2035-000	4520-2059-000	4520-2030-000	410130001	1249-2005-000

# OBSOLETE WALL HEATERS

"Click" on part number to view price and availability  
[www.morelectrich heating.com](http://www.morelectrich heating.com)

(Some parts may be obsolete and no longer available)

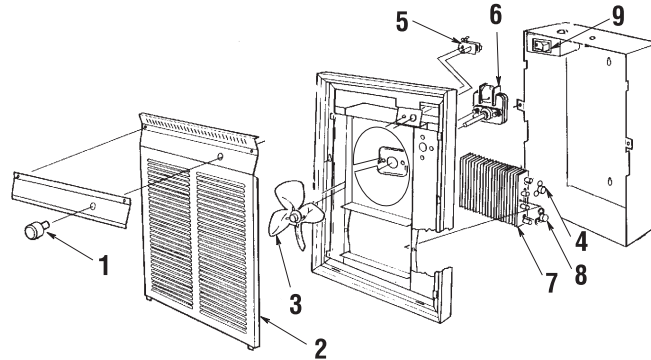
## CWH-2000

Key No.	Part Number Description	CWH-2000	CWH-2000-A	CWH-2000-DS	CWH-2000-B	CWH-2000-BWW
		1	Knob	3301-2001-000	3301-2001-000	3301-2001-000
2	Grille	2501-2001-001	2501-2001-001	2501-2001-001	2501-2001-001	2501-2001-001
3	Fan Blade	490061001	490061001	490061001	490061001	490061001
4	High Limit	410143000	—	—	410143000	410143000
	Manual Reset	—	4520-2015-000	4520-2015-000	—	4520-2015-000
5	Thermostat**	5813-2001-000	5813-2001-000	5813-2001-000	5813-2001-000	5813-2001-000
6	Motor:	120V	490062001	490062001	490062001	490062001
		208V	490062002	490062002	490062002	490062002
		240V	490062003	490062003	490062003	490062003
		277V	490062004	490062004	490062004	490062004
7	Element:	120V/1000W	302023801	302023801	302023801	302023801
		120V/1500W	302023802	302023802	302023802	302023802
		120V/1800W	302023808	302023808	302023808	302023808
		208V/2000W	302023804	302023804	302023804	302023804
		240V/2000W	302023805	302023805	302023805	302023805
		277V/1500W	302023803	302023803	302023803	302023803
277V/2000W	302023806	302023806	302023806	302023806	302023806	
8	Fan Delay	410074000	1414-2009-000	1414-2009-000	410074000	410074000
9	Disconnect	410170001	410170001	410170001	410170001	410170001
—	Parts Bag*	1205-2004-000	1205-2004-000	1205-2004-000	1205-2004-000	1205-2004-000

\* Parts Bag includes knob, hole plug, & grille screws. \*\* Use 5813-2022-000 thermostat for CWH2201.

### Reference Data

Catalog Number	Volts	Watts
CWH-2101	120	1000
CWH-2151 CWH-215DS	120	1500
CWH-2201	120	1800
CHW-2208	208	2000
CWH-2202 CWH-2202DS	208/ 240	1500 2000
CWH-2157	240/ 277	1125 1500
	240/ 277	1500 2000

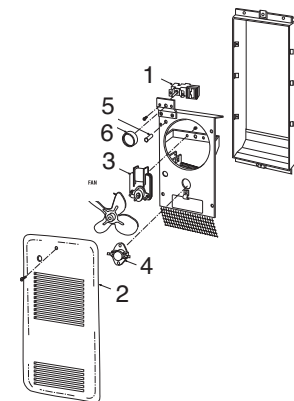


## QD

Key No.	Description	Part Number
1	Thermostat	5813-2072-001
2	Grille White Chrome	2501-2032-000
		2501-2033-000
3	Motor:	120V
		240V
4	Hi Limit	—
5	Pilot lite	120V
		240V
6	Knob White Black	3301-2026-000
		3301-2027-000

### Reference Data

Catalog Number	Volts	Watts
QD1151C	120	1500
QD1154C	240	1500
QD1104C	240	2000



# OBSOLETE HEATERS

(Some Parts May Be Obsolete and No Longer Available)

## VUH & VUH-A

Key No.	Description	Part Number									
		10kW	15kW	20kW	25kW	30kW	40kW	50kW	75kW	100kW	
1	Elements: (No. Req'd. per Heater):	(1)	(1)	(1)	(2)	(2)	(2)	(4)	(6)	(6)	
	208V	302016001	302016006	302016011	302016013	302016006	302016011	302016014	302016014	—	
	240V	302016002	302016007	302016006	302016001	302016007	302016006	302016015	302016015	302016014	
	277V	302016003	302016008	302016007	—	—	—	—	—	—	
	480V	302016004	302016009	302016012	302016001	302016007	302016006	302016015	302016015	302016014	
	550V	302016005	302016010	302016009	302016004	302016010	302016009	302016016	302016016	302016015	
	Element Bracket	310143001	310143001	310143001	310144001	310144001	310144001	310144001	310146001	310146001	
6	Fan Delay, Control	410126000	410126000	410126000	410126000	410126000	410126000	410061000	410061000	410061000	
	High Limit Control	410029000	410029000	410029000	410029000	410029000	410029000	410029000	410029000	410029000	
7	Transformer:										
	277V	200126901	200126901	200126902	—	—	—	—	—	—	
	480V/550V	200126903	200126904	490015003	490015005	490015003	490015003	490015004	200126907	200126907	
10	Contactor:										
	208V/240V	50180005006	50180005006	50180005006	50180005002	50180005002	50180005002	50180005002	50180005002	50180005002	
	277V	50180005006	50180005006	50180005006	—	—	—	—	—	—	
	480V	50180005006	50180005006	50180005006	50180005002	50180005002	50180005002	410022009*	50180005006	50180005006	
	550V	50180005006	50180005006	50180005006	50180005002	50180005002	50180005002	410022009*	410022009*	50180005006	
13	Control Terminal Block:										
	208V/240V/277V	480031002	480031002	480031002	480031002	480031002	480031004	480031004	480031004	480031004	
	480V	480031002	480031002	480031002	480031002	480031002	480031002	480031002	480031004	480031004	
	550V	480031002	480031002	480031002	480031002	480031002	480031002	480031002	480031002	480031004	
	Power Terminal Block:										
	208V	480033001	480033001	480034001	480033002	480034002	480034002	480034001	480027001	—	
	240V	480033001	480033001	480034001	480033002	480033002	480034002	480034002	480027001	480027001	
	277V	480033001	480033001	480033001	—	—	—	—	—	—	
	480V/550V	480033001	480033001	480033001	480033002	480033002	480033002	480033002	480034002	480034002	
	Power Terminal Mounting Bracket	310155001	310155001	310155001	310155001	310155001	310155001	310181001	310181001	310181001	
	14	Fan Motor:									
		VUH: 208V/240V	490044002	200202901	200202901	200202901	200202901	200202901	490021001	490021003	490021003
		480V/550V	200202901	200202901	200202901	200202901	200202901	200202901	490021001	490021003	490021003
VUH-A		490044002	490044002	—	—	—	—	—	—	—	
	Motor Mounting Angle	—	—	—	—	—	310305902	310305901	310306901	310306901	
	Motor Mounting Assembly	310305901	310305901	310305901	310305902	310305902	480029002	480029002	490029003	490029003	
15	Fan Blade										
	VUH	**	**	490019001	490020000	490020000	490020000	490022000	490023000	490023000	
	VUH-A	490018002	490019002	—	—	—	—	—	—	—	
	Fan Blade Snap Ring	482027004	482027004	—	—	—	—	482027002	482027003	482027003	
17	Control Fuse Block:										
	208V/240V	480030002	—	480030002	480030002	480030002	480030002	480030002	480030002	480030002	
	277V	480035001	—	480035001	—	—	—	—	—	—	
	480V/550V	—	480030006	480030006	480030006	480030006	480030006	480030006	480030006	480030006	
	Control Fuse:										
	208V/240V	481001004	—	481001004	481001004	481001004	481001004	481001005	481001005	481001005	
	277V	481001017	—	481001017	—	—	—	—	—	—	
	480V/550V	—	481001018	481001018	481001018	481001018	481001018	481001019	481001019	481001019	
	Terminal Cover, Inner	310142001P	310142001P	310142001P	310154001P	310154001P	310154001P	310154001P	310147001P	310147001P	
	Terminal Cover, Outer	310141001P	310141001P	310141001P	310141002P	310141002P	310141002P	310145001P	310145002P	310145002P	
	Power Fuse Block:										
	208V/240V	—	480030003	480030004	480030004	480030004	480030004	480030004	480030004	480030004	
	277V	—	480035000	480035000	—	—	—	—	—	—	
	480V/550V	—	—	—	—	—	—	480030005	480030005	—	
Power Fuse:											
208V/240V	—	481001012	481001012	481001012	481001012	481001012	481001012	481001012	481001012		
277V	—	481001016	481001016	—	—	—	—	—	—		
480V/550V	—	—	—	—	—	—	481001020	481001020	481001020		
19	Motor Capacitor	1432-0002-003	1432-0002-003	1432-0002-003	1432-0002-003	1432-0002-003	—	—	—	—	

\* 4-Pole Contactor

\*\*NOTE: Fan blade for 10 and 15kW VUH is no longer available. In order to replace fan blade, motor must also be replaced using the blade and motor for the VUH-A as listed above.

# OBSOLETE HEATERS

(Some Parts May Be Obsolete and No Longer Available)

## CU

### Model CU-B

Cabinet Series	Part Number						
	Qty.	Fintube Heating Element (Retangular Aluminum Fin)				Filters	
		208V	240V	277V & 480V 4-Wire	480V 3-Wire	Throwaway	Reusable
1200	2						
1300	3						
1400	4	1802-0103-001	1802-0103-002	1802-0103-003	1802-0103-004	2010-7008-001	2010-7009-001
1500	5						
1600	6						
2200	2						
2300	3						
2400	4	1802-0103-005	1802-0103-006	1802-0103-007	1802-0103-008	2010-7008-002	2010-7009-002
2500	5						
2600	6						
3200	2						
3300	3						
3400	4	1802-0103-009	1802-0103-010	1802-0103-011	1802-0103-012	2010-7008-003	2010-7009-003
3500	5						
3600	6						
4200	2						
4300	3						
4400	4	1802-0103-013	1802-0103-014	1802-0103-015	1802-0103-016	2010-7008-004	2010-7009-004
4500	5						
4600	6						
5200	2						
5300	3						
5400	4	1802-0103-017	1802-0103-018	1802-0103-019	1802-0103-020	2010-7008-005	2010-7009-005
5500	5						
5600	6						

### Model CU-A

Cabinet Series	Part Number		
	Qty.	Filters	
		Throwaway	Reusable
1200	2		
1300	3		
1400	4	2010-7008-001	2010-7009-001
1500	5		
1600	6		
2200	2		
2300	3		
2400	4	2010-7008-002	2010-7009-002
2500	5		
2600	6		
3200	2		
3300	3		
3400	4	2010-7008-003	2010-7009-003
3500	5		
3600	6		
4200	2		
4300	3		
4400	4	2010-7008-004	2010-7009-004
4500	5		
4600	6		
5200	2		
5300	3		
5400	4	2010-7008-005	2010-7009-005
5500	5		
5600	6		

# OBSOLETE HEATERS

(Some Parts May Be Obsolete and No Longer Available)

## CU (Con't.)

### Model CU-B & CU-A

Cabinet Series	Part Number						
	Blower Wheel	Shaft	Bearing (2 Each)	Coupling	Fan Motor	High Limit	
						All Except CUI Model	CUI Model Only
1200 - 1600	6406-7001-001	—	—	—	3900-0558-000	4520-0011-007	4520-0011-008
2200 - 2600	6406-7001-001	—	—	—	3900-0559-000	4520-0011-007	4520-0011-008
3200 - 3600	6406-7001-002	5217-7007-001	2011-7017-000	1410-7003-001	3900-0563-000	4520-0011-008	4520-0011-009
4200 - 4600	6406-7001-002	5217-7007-002	2011-7017-000	1410-7003-001	3900-0563-000	4520-0011-008	4520-0011-009
5200 - 5600	6406-7001-002	5217-7007-003	2011-7017-000	1410-7003-001	3900-0563-000	4520-0011-008	4520-0011-009

### Parts Common to All Models

Description	Part Number
Fan Delay Relay (24V, 120V, and 240V)	CUBFDRK
Selector Switch	5216-0302-000
Integral Thermostat	1414-0084-000
Step-Down Transformer	5814-7013-003
Buck-Boost Transformer	490015007
Summer Fan Switch	5216-0302-000
<b>*Contactors, CU-B</b>	
2 Pole/30 Amp, 24V Holding Coil	5018-0003-000
2 Pole/30 Amp, 120V Holding Coil	5018-0003-001
2 Pole/30 Amp, 208V/240V Holding Coil	5018-0003-002
3 Pole/35 Amp, 24V Holding Coil	5018-0005-004
3 Pole/35 Amp, 120V Holding Coil	5018-0005-005
3 Pole/35 Amp, 208V/240V Holding Coil	5018-0005-006
<b>*Contactors, CU-A</b>	
3 Pole/30 Amp, 24V Holding Coil	5018-0004-100
3 Pole/30 Amp, 120V Holding Coil	5018-0004-101
3 Pole/30 Amp, 208V/240V Holding Coil	5018-0004-102
3 Pole/50 Amp, 24 Holding Coil	5018-0006-000
3 Pole/50 Amp, 120V Holding Coil	5018-0006-001
3 Pole/50 Amp, 208V/240V Holding Coil	5018-0006-002

\*See Installation Instructions for Selection Chart or Consult Factory.

### Control Transformer R

Primary Voltage	Secondary Voltage	Part Number
240	24	5814-0021-000
240	120	5814-0021-001
208	24	5814-0021-002
208	120	5814-0021-003

### Circuit Breakers

Voltage Rating	No. of Poles	Amps	Part Number
240	2	15	4520-7009-014
		20	4520-7009-015
		25	4520-7009-016
		30	4520-7009-017
		35	4520-7009-018
		40	4520-7009-019
	3	45	4520-7009-020
		50	4520-7009-021
		60	4520-7009-022
		15	4520-7009-008
		20	4520-7009-004
		25	4520-7009-010
480	2	30	4520-7009-005
		35	4520-7009-011
		40	4520-7009-006
		45	4520-7009-012
		50	4520-7009-001
		60	4520-7009-007
	3	15	4520-7008-013
		20	4520-7008-014
		25	4520-7008-015
		30	4520-7008-016
		35	4520-7008-017
		40	4520-7008-018
3	50	4520-7008-020	
	60	4520-7008-021	
	15	4520-7008-005	
	20	4520-7008-006	
	25	4520-7008-008	
	30	4520-7008-001	
35	4520-7008-009		
40	4520-7008-007		

### Reference Data

#### HOW TO ORDER

#### RATING SERIES PRODUCT NUMBERS

The last group of four numbers describe the Unit Size, Heating Capacity Voltage Rating and Type of Control:

Number of Fans and Cabinet Series are indicated by the first number.

- 1 - One Fan Series 1000 Cabinet
- 2 - Two Fans Series 2000 Cabinet
- 3 - Three Fans Series 3000 Cabinet
- 4 - Four Fans Series 4000 Cabinet
- 5 - Five Fans Series 5000 Cabinet

Number of Fintube Heating Elements and the corresponding Unit Heating Capacity are indicated by the second number.

	Cabinet Series				
	1000	2000	3000	4000	5000
2 Element	2.0kW	4.0kw	5.3kW	6.7kW	8.0kW
3 Element	3.0kW	6.0kW	8.0kW	10.0kW	12.0kW
4 Element	4.0kW	8.0kW	10.7kW	13.3kW	16.0kW
5 Element	5.0kW	10.0kW	13.3kW	16.7kW	20.0kW*
6 Element	6.0kW	12.0kW	16.0kW	20.0kW	24.0kW*

Not available in all voltages. See table on page 2.

Electric Power Supply for the heating Circuit is indicated by the third number as follows:

- 1 - 208V Single Phase
- 2 - 208V Three Phase
- 3 - 240V Single Phase
- 4 - 240V Three Phase
- 5 - 277V Single Phase
- 6 - 480V Three Phase 4 Wire
- 7 - 480V Three Phase 3 Wire
- 8 - 347V Single Phase
- 9 - 600V Three Phase

Control Supply and Circuit are defined by the fourth number.

NOTE: A thermostat either integral or remote, must be used for proper operation of heater.

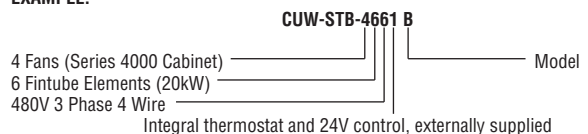
	Thermostat	Voltage	Supply	For Use Only With Models
0-	Integral	120	External	CUC, CUF, CUW
1-	Integral	24	External	CUC, CUF, CUW
2-	Integral	208/240*	Internal	CUC, CUF, CUW
3-	Remote	120	External	All Models
4-	Remote	24	External	All Models
5-	Remote	208/240*	Internal	All Models
6-	Remote	24	Internal	All Models
7-	Remote	120	Internal	All Models
8-	Integral	24	Internal	CUC, CUF, CUW
9-	Integral	120	Internal	CUC, CUF, CUW

\*Control Voltage is 208 VAC on units with 208 VAC Heating Circuit.

#### MODEL LETTER

The letter "B" at the end of the catalog number designates the unit as a "B" model.

#### EXAMPLE:





# OBSOLETE HEATERS

(Some Parts May Be Obsolete and No Longer Available)

## KD/KS

Key No.	Unit Size	Watts	Part Number		
			208V	240V	277V
<b>Elements (After 1993) (250 Watts/Ft. – See NOTE 1)</b>					
1	24" Cabinet	—	1802-2016-001	1802-2016-003	1802-2016-003
	36" Cabinet	—	1802-2016-009	1802-2016-010	1802-2016-011
	48" Cabinet	—	1802-2016-023	1802-2016-024	1802-2016-024

### Repair Parts (After 1993)

Key No.	Description	Part Number
3	Spot High Limit	410027000
6	Opt. Thermostat, 1-Pole	410112000
	Opt. Thermostat, 2-Pole	410113000
	Opt. Disconnect, KSS2	5216-7016-001

NOTE 1: 500 W/Ft. units require 2 elements; 750 W/Ft. units require 3 elements; 1000 W/Ft. units require 4 elements.  
 NOTE 2: With suffix "T" added to catalog number.  
 NOTE 3: With suffix "S" added to catalog number.  
 NOTE 4: With suffix "R" added to catalog number.

### Repair Parts (Prior to 1993)

Description	Part Number
Thermostat (See NOTE 2)	5813-7023-001
Disconnect Switch (See NOTE 3)	5216-7016-001

### Optional Relay (Prior to 1993) (See NOTE 4)

Identification Number on Relay	Coil Voltage 60 Cycle A.C.	Part Number
134-60103-301	24	5018-2006-000
134-60203-301	120	5018-2006-001
134-60303-301	208/240	5018-2006-002
134-62303-301	277	5018-2006-003

## TSH

### Parts Common to All Heaters

Key No.	Description	Part Number
1	Fan Assembly, Right	9193-0016-001
2	Bushing, Ceramic Element	9032-0007-000
3	Regulator, Fluid	5028-2000-000
—	Hollow Wall Anchor	5202-2002-000

## RDO

Key No.	Description	Part Number		
		RD026	RD035	RD048
1	Reflector: 60/90° Sym. 30° Sym. 60/90° Asym. 30° Asym.	5007-2000-000	5007-2000-001	5007-2000-002
		5007-2001-000	5007-2001-001	5007-2001-002
		5007-2002-000	5007-2002-001	5007-2002-002
		5007-2003-000	5007-2003-001	5007-2003-002
2	Insulator (4 Req'd.)	—	—	—
3	Terminal Block (4 Req'd.)	1224-0049-000	1224-0049-000	1224-0049-000
4	Element Term. Bush. (4 Req'd.)	1213-0070-000	1213-0070-000	1213-0070-000

Elements are available - see factory.

## Elements Part Numbers

Key No.	Description	Used on Catalog No.	Qty. Req'd.	Part Number
6	Element: 666W, 240V 1000W, 240V 1335W, 240V 1666W, 240V 1000W, 240V	TSH204	3	1802-2084-000
		TSH304	3	1802-2084-001
		TSH404	3	1802-2084-002
		TSH504	3	1802-2084-003
		TSH604	6	1802-2084-004
		12	833W, 240V 1250W, 240V	} TSH754
2	1802-2084-006			
6	Element: 666W, 208V 1000W, 208V 1335W, 208V 1666W, 208V 1000W, 208V	TSH208	3	1802-2084-007
		TSH308	3	1802-2084-008
		TSH408	3	1802-2084-009
		TSH508	3	1802-2084-010
		TSH608	6	1802-2084-015
		12	833W, 208V 1250W, 208V	} TSH758
2	1802-2084-013			

# OBSOLETE HEATERS

(Some Parts May Be Obsolete and No Longer Available)

## AFA

Key No.	Description	Part Number			
		AFA- -IF	AFA- -T2	AFA- -TA	AFA- -T2BNW
1	Wiring Cover	—	1402-2127-000	1402-2127-001	1402-2125-004
2	Grille, Frame	—	—	—	2501-2015-004
3	Fan Blade	1210-2004-000	1210-2004-000	1210-2004-000	1210-2004-000
4	Element: 120V; 500/1000W	—	—	—	—
	120V; 750/1500W	—	—	—	—
	240V; 750/1500W	1802-2021-003	1802-2021-003	1802-2021-003	1802-2021-003
	240V; 550/1000/2000W	1802-2021-004	1802-2021-004	1802-2021-004	1802-2021-004
	240V; 2400W	1802-2021-004	1802-2021-004	1802-2021-004	1802-2021-004
5	Motor: 120VAC	3900-2017-000	3900-2017-000	3900-2017-000	3900-2017-000
	240VAC	3900-2017-001	3900-2017-001	3900-2017-001	3900-2017-001
6	Limit: 500/1500W	4520-2016-000	4520-2016-000	4520-2016-000	4520-2023-000
	2000W	4520-2016-001	4520-2016-001	4520-2016-001	4520-2023-000
	2400W	4520-2016-002	4520-2016-002	4520-2016-002	4520-2023-000
7	Grille, Outlet	—	—	—	2501-2016-002
8	Thermostat	—	5813-2015-000	5813-2001-000	5813-2053-000
9	Knob	—	3301-2014-000	3301-2014-000	3301-2014-000
10	Element Bracket (Plastic)	—	—	—	—

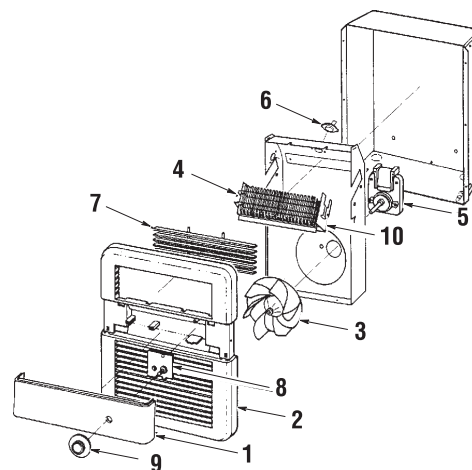
### Reference Data

Catalog Number	Volts	Watts
AFA-0500-IF	120	500
AFA-0504-IF	240	550
AFA-0750-IF	120	750
AFA-0754-IF	240	750
AFA-1000-IF	120	1000
AFA-1004-IF	240	1000
AFA-1500-IF	120	1500
AFA-1504-IF	240	1500
AFA-2004-IF	240	2000
AFA-2404-IF	240	2400

Catalog Number	Volts	Watts
AFA-0504-T2	240	500
AFA-1000-T2	120	1000/500
AFA-1500-T2	120	1500/750
AFA-1504-T2	240	1500/750
AFA-2004-T2	240	2000/1000
AFA-2404-T2	240	2400/1200

### Limit Chart

# Req'd	Part #	Watts	Date Code
2	4520-2023-000	500-2400	0791-0293
1	4520-2016-000	500-1500	0393-0494
1	4520-2023-000	2000-2400	0393-0494
1	4520-2016-001	1500-2000	0594-0495
1	4520-2016-002	2400	0994-0495
1	4520-2023-000	1000-2400	0595-current
1	4520-2023-001	500-750	0595-current



## QVP

Key No.	Description	Part Number			
		VP	QVP-A	QVP-B	QVP-C
1	Motor: 120V 208V 240V	42528-052-01	42528-052-01	42528-052-01	42528-052-01
		42528-052-02	42528-052-02	42528-052-02	42528-052-02
		42528-052-03	42528-052-03	42528-052-03	42528-052-03
2	Element: 120V 208V 240V	<b>Elements not available</b>			
3	High Limit (2 Req'd.)	1414-2000-000	1414-2000-000	—	4520-2025-000
	Manual Reset (2 Req'd.)	—	—	4520-2012-000	—
4	Bearing Assy.	1209-2000-000	1209-2000-000	1209-2000-000	1209-2000-000
5	Blower Wheel	42528-050-01	42528-050-01	42528-050-01	42528-050-01
6	Grille	—	42528-057-03	42528-057-03	42528-057-03
—	Warning Light (2 Req'd.)	—	—	—	3510-2008-001

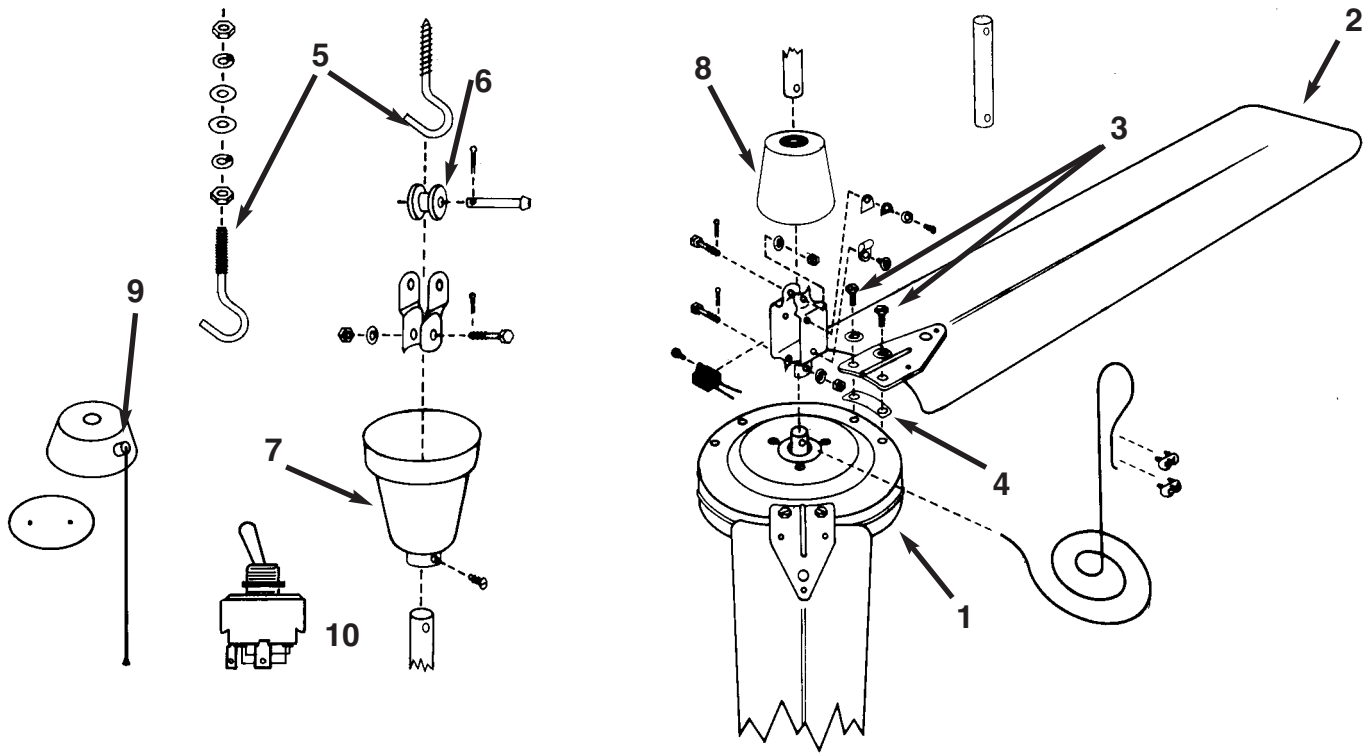
### Reference Data

Catalog Number	Volts	Wattages – All models are field adaptable for:
QVP1222	120	750W
QVP2022	208	1100W 1500W
QVP2422	240	2220W

# WALL THERMOSTATS

Model Number	Part Number			
	Tan Cover	White Cover	Tan Knob	White Knob
T100	—	1402-2003-016	3301-2004-007	3301-2004-007
T200	1402-2003-009	1402-2003-017	3301-2004-008	3301-2004-008
WR651	—	—	—	—
WR652	—	—	—	—
M601	2038-2000-000	2038-2000-001	3301-2022-000	3301-2022-001
M602	2038-2000-000	2038-2000-001	3301-2022-000	3301-2022-001

# CEILING FANS



Key No.	Description	Qty.	Part Number							
			3620-1	4820-1	4820-1B	5600-1LC	4820-3	5600-3	5610-1	6010-1
1	Motor Assembly	1	9M3620-1A	9M4820-1A	9M4820-1BA	9M5600-1LCA	9M4820-3	9M5600-3A	2100130A	2100131A
2	Blades (set of three)	1	9B3620-1	9B4820-1	9B4820-1B	9B5600-1LC	9B4820-3	9B5600-3	9B5611-1	9B6011-1
3	Blade Screws	6	9F2900-20A	9F2900-20A	9F2900-20A	9F2900-20A	9F2900-20A	9F2900-20A	9F2900-20A	9F2900-20A
4	Blade Pads	3	9F2900-19A	9F2900-19A	9F2900-19A	9F2900-19A	9F2900-19A	9F2900-19A	9F2900-19A	9F2900-19A
5	J Hook Set	1	9F2900-01	9F2900-01	9F2900-01	9F2900-01	9F2900-01	9F2900-01	9F2900-01	9F2900-01
6	Rubber Roller	1	9F2900-04A	9F2900-04A	9F2900-04A	9F2900-04A	9F2900-04A	9F2900-04A	9F2900-04A	9F2900-04A
7	Upper Canopy	1	9F2900-07A	9F2900-07A	9F2900-07AB	9F2900-07A	9F2900-07A	9F2900-07A	3100039A	3100039A
8	Lower Canopy	1	9F2900-08A	9F2900-08A	9F2900-08AB	9F2900-08A	9F2900-08A	9F2900-08A	3100042A	3100042A
9	3-Speed Switch w/ Cord	1	-	-	-	-	9F2900-26	9F2900-26	-	-
10	Reversing Toggle Switch	1	-	-	-	-	-	-	-	-
11	Reversing Switch Plate	1	-	-	-	-	-	-	-	-

Ref No.	Description	Qty.	Part Number							
			5600-1	5600-1B	5601-1	5600-2	5600-7	6000-1	6001-1	5630-1RDP
1	Motor Assembly	1	9M5600-1	9M5600-1M	9M5601-1	9M5600-2	9M5600-7	9M6000-1	9M6001-1	9M5630-1R
2	Blades (set of three)	1	9B5600-1	9B5600-1B	9B5601-1	9B5600-2	9B5600-7	9B6000-1	9B6001-1	9B5630-1R
3	Blade Screws	6	9F2900-20A	9F2900-20A	9F2900-20A	9F2900-20A	9F2900-20A	9F2900-20A	9F2900-20A	9F2900-20A
4	Blade Pads	3	9F2900-19A	9F2900-19A	9F2900-19A	9F2900-19A	9F2900-19A	9F2900-19A	9F2900-19A	9F2900-19A
5	J Hook Set	1	9F2900-01	9F2900-01	9F2900-01	9F2900-01	9F2900-01	9F2900-01	9F2900-01	9F2900-01
6	Rubber Roller	1	9F2900-04A	9F2900-04A	9F2900-04A	9F2900-04A	9F2900-04A	9F2900-04A	9F2900-04A	9F2900-04A
7	Upper Canopy	1	9F2900-07A	9F2900-07AB	9F029	9F2900-07A	9F2900-07A	9F2900-07A	9F029	9F2900-07A
8	Lower Canopy	1	9F2900-08A	9F2900-08AB	9F030	9F2900-08A	9F2900-08A	9F2900-08A	9F030	9F2900-08A
9	3-Speed Switch w/ Cord	1	-	-	-	-	-	-	-	-
10	Reversing Toggle Switch	1	-	-	-	-	-	-	-	9FP005
11	Reversing Switch Plate	1	-	-	-	-	-	-	-	9F2GX54-73

J-Hook Set and Motor Assembly also contain miscellaneous hardware pieces.

## DRUM BLOWERS

Description	Part Number						
	MVB36B	MVB42B	IHD36B	IHD42B	IHD48B	MVB30D	MVB36D
Motor	3900-2068-000	3900-2068-000	3900-2068-000	3900-2068-000	517-083	1010MB	517-133
Blade	1210-2028-000	1210-2025-001	1210-2028-000	1210-2025-001	1016-0044-001	1210-2026-000	1210-2012-000
Bearing	3764	3764	8526-8006	8526-8006	8526-8006	N/A	N/A
Drive Pulley	2594	4507-2009-000	2594	2594	1802	N/A	N/A
Pulley	1064	612-015	1064	1804	1804	N/A	N/A
Guard	2794	3293	2794	3293	3294	3466	2794
Wheel	869-007	869-007	1105	1105	1105	869-007	869-007
Foot	334-091-B	334-090-B	334-091-B	334-090-B	1016-0043	334-092-B	334-091-B
Axle	1017-0003-000	1017-0003-000	1017-0002-001	1017-0002-001	1017-0002-001	1017-0003-000	1017-0003-000
Belt	2341	4160	2341	1230-0006-000	1230-0007-000	N/A	N/A
Shaft	682-269	682-269	5217-2006-000	5217-2006-000	5217-2006-000	N/A	N/A
Switch	5216-2052-000	5216-2052-000	5216-2052-000	5216-2052-000	5216-2052-000	N/A	N/A

## MODULAR LOAD DOCK FAN/LIGHT SYSTEM

Description	Part Number		
	LD24A	LD40A	LD60A
Arm / Box	3296	1726	1723
Arm	N/A	1722	1727
Wall Brkt	1215-2247-001	1215-2247-001	1215-2247-001
Cord	1771	1771	1771
Terminal Block	1770	1770	1770

## LDMF MODULAR FAN

Description	Part Number
LDMF	
Motor	517-084-BL
Blade	1210-2013-000
Guard Front	372-067-C
Guard Rear	372-054-C
Switch	5216-2059-000
Cord	1782
Yoke	1363

## LDML MODULAR LIGHT

Description	Part Number
LDML	
Light Assy.	1182

## WALL/BENCH MOUNT CIRCULATORS

Description	Part Number
	N12
Motor.	3900-2067-000
Blade	1210-2027-001
Guard Front	372-045-OP
Guard Rear	372-046-OP
Switch	4425

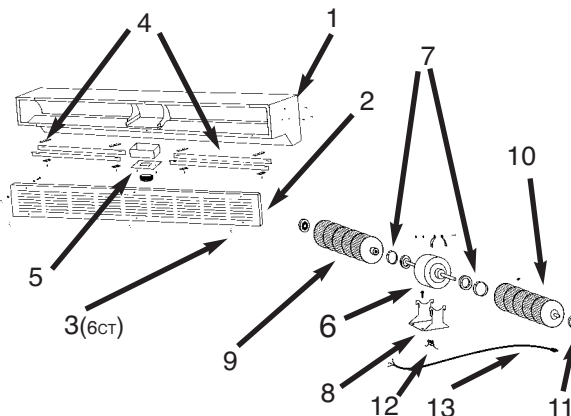
# AIR CIRCULATORS

"Click" on part number to view price and availability  
[www.morelectricheating.com](http://www.morelectricheating.com)

Model	Description
<b>24ACH(A)</b>	
1210-2014-000	BLADE
1950	GUARD (FRONT OR REAR)
1010MPI	MOTOR
5216-2059-000	SWITCH
1420-2033-000	CORD
<b>24ACH0(A)</b>	
1210-2014-000	BLADE
1950	GUARD (FRONT OR REAR)
517-107	MOTOR
5216-2059-000	SWITCH
1420-2033-000	CORD
1010MP-O-1	OSCILLATING ARM
1010MP-O-2	GEAR BOX
<b>MACH30(A)</b>	
1210-2026-000	BLADE
1677	GUARD (FRONT OR REAR)
517-076	MOTOR
5216-2059-000	SWITCH
1420-2033-000	CORD
<b>LCHHD24 - OBSOLETE</b>	
LCCLIN2419BL	24" 19D BLADE
LIN24G-F	GUARD-FRONT
LIN24G-R	GUARD-REAR
3900-2064-000	1/4 HP 3SPD MOTOR
5216-2059-000	SWITCH
1420-2033-000	CORD
<b>LCHHD24-O</b>	
LIN24G-F	24" GUARD-FRONT
LIN24G-R	24" GUARD-REAR
1210-2014-000	24" 17D BLADE
3900-2057-000	1/4 HP 3SPD MTR-OSC
5216-2059-000	SWITCH
1420-2033-000	CORD
LPOM	OSCILLATING MECHANISM
<b>LCHXN24 - OBSOLETE</b>	
1210-2035-000	24" 22D BLADE
LIN24G-F	30" GUARD-FRONT
LIN24G-R	30" GUARD-REAR
3900-2016-000	1/2 HP 2SPD MOTOR
1420-2033-000	CORD
<b>LCHHD24-7 277 VOLT</b>	
1210-2014-000	24" 17D BLADE
LIN24G-F	24" GUARD-FRONT
LIN24G-R	24" GUARD-REAR
3900-2048-000	1/4 HP 277V MOTOR
5216-2059-000	SWITCH
1420-2013-000	CORD, NO PLUG
<b>LCHWD24 WASHDOWN</b>	
LCCLIN2419BL	24" 19D BLADE
LIN24G-F	24" GUARD-FRONT
LIN24G-R	24" GUARD-REAR
3900-2063-000	1/3 HP 120V WD MOTOR
LP054	SWITCH AIR ACTUATED
LP055	SWITCH SQUEEZE BULB
<b>LCHIN24 - OBSOLETE</b>	
1210-2014-000	24" 17D BLADE
LPM2025U	1/4 HP 2SPD MOTOR
5216-2059-000	SWITCH
1420-2021-000	CORD
<b>LCHHD24-2 220 VOLT</b>	
1210-2014-000	24" 17D BLADE
LIN24G-F	GUARD-FRONT
LIN24G-R	GUARD-REAR
3900-2047-000	1/4 HP 220V MOTOR
5216-2059-000	SWITCH
1420-2013-000	CORD, NO PLUG
<b>30ACH(A)</b>	
1210-2026-000	BLADE
1677	GUARD (FRONT OR REAR)
1010MPI	MOTOR
5216-2059-000	SWITCH
1420-2033-000	CORD

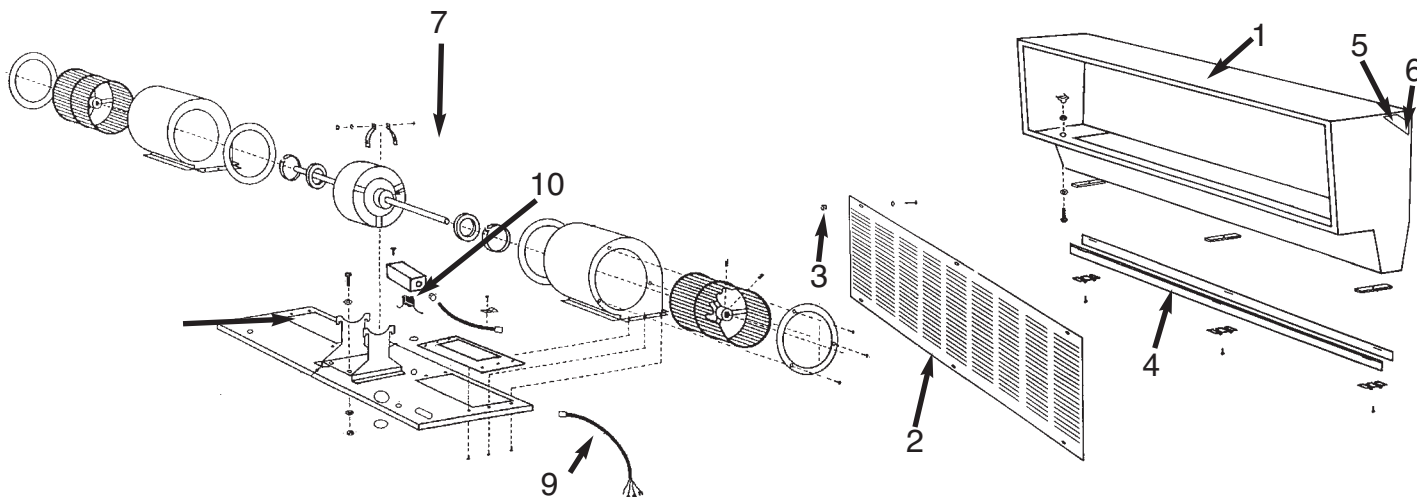
Model	Description
<b>30ACH0(A)</b>	
1210-2026-000	BLADE
372-083	GUARD (FRONT OR REAR)
517-107	MOTOR
5216-2059-000	SWITCH
1420-2033-000	CORD
1010MP-O-1	OSCILLATING ARM
1010MP-O-2	GEAR BOX
<b>AF30H(A)</b>	
1210-2026-000	BLADE
372-079-Y	GUARD (FRONT OR REAR)
517-132-Y	MOTOR
389-034-Y	HINGE PIN
1420-2033-000	CORD
<b>LCHHD30 - OBSOLETE</b>	
LCCLIN30BL	30" 14D BLADE
LIN30G-F	GUARD-FRONT
LIN30G-R	GUARD-REAR
3900-2064-000	1/4 HP 3SPD MOTOR
5216-2059-000	SWITCH
1420-2033-000	CORD
<b>LCHHD30-O</b>	
LIN30G-F	30" GUARD-FRONT
LIN30G-R	30" GUARD-REAR
1210-2026-000	30" 11D BLADE
3900-2057-000	1/4 HP 3SPD MTR-OSC
5216-2059-000	SWITCH
1420-2033-000	CORD
LPOM	OSCILLATING MECHANISM
<b>LCHXN30 - OBSOLETE</b>	
LCCLIN3016BL	30" 18D BLADE
LIN30G-F	GUARD-FRONT
LIN30G-R	GUARD-REAR
3900-2061-000	1/2 HP 2SPD MOTOR
1420-2033-000	CORD
<b>LCHHD30-7 277 VOLT</b>	
1210-2026-000	30" 11D BLADE
LIN30G-F	30" GUARD-FRONT
LIN30G-R	30" GUARD-REAR
3900-2048-000	1/4 HP 277V MOTOR
5216-2059-000	SWITCH
1420-2013-000	CORD, NO PLUG
<b>LCHWD30 WASHDOWN</b>	
LCCLIN30BL	30" 14D BLADE
LIN30G-F	30" GUARD-FRONT ZINC
LIN30G-R	30" GUARD-REAR ZINC
3900-2063-000	1/3 HP 120V WD MOTOR
LP054	SWITCH AIR ACTUATED
LP055	SWITCH SQUEEZE BULB
<b>LCHIN30 - OBSOLETE</b>	
1210-2026-000	30" 11D BLADE
LPM2025U	1/4 HP 2SPD MOTOR
5216-2059-000	SWITCH
1420-2021-000	CORD
<b>LCHHD30-2 220 VOLT</b>	
1210-2026-000	30" 11D BLADE
LIN30G-F	30" GUARD-FRONT
LIN30G-R	30" GUARD-REAR
3900-2047-000	1/4 HP 220V MOTOR
5216-2059-000	SWITCH
1420-2013-000	CORD, NO PLUG
<b>24HDHA</b>	
1210-2035-000	BLADE
1950	GUARD
3900-2061-000	MOTOR
1420-2033-000	CORD
<b>30HDHA</b>	
LCCLIN3016BL	BLADE
1677	GUARD
3900-2061-000	MOTOR
1420-2033-000	CORD
<b>MACH24</b>	
1210-2014-000	BLADE
1950	GUARD
517-076	MOTOR
1420-2033-000	CORD

# AIR CURTAINS - LOW PROFILE



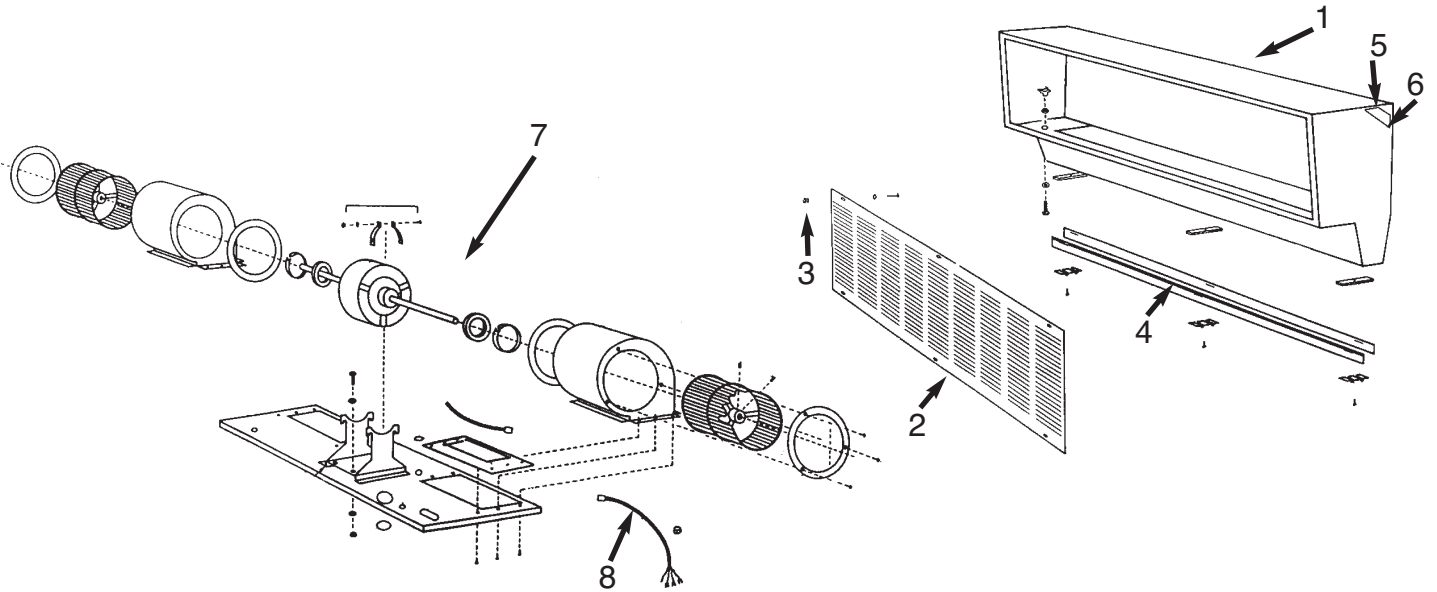
Key No.	Description	Part Number			
		CLP3600	CLP4200	CLP4800	CLP6000
1	Cabinet	CLPC36	CLPC42	CLPC48	CLPC60
2	Cabinet Intake Grille	CLPIG36A	CLPIG42A	CLPIG48A	CLPIG60A
3	Cabinet Intake Grille Knurled Nut	AP0002	AP0002	AP0002	AP0002
4	Cabinet Louver Kit	—	—	—	—
5	Rocker Switch	C1220	C1220	C1220	C1220
6	Motor Assembly	—	CLPM1108A	CLPM1108A	CLPM1125A
7	Resilient Motor Ring Kit	—	—	—	—
8	Motor Mount	—	—	—	—
9	Blower Wheel-Left	—	CLPBW42	CLPBW48	CLPBW60
10	Blower Wheel-Right	—	CLPBW42	CLPBW48	CLPBW60
11	Bearing Housing	CLP002	CLP002	CLP002	CLP002
12	Capacitor	—	—	—	—
13	Power Cord	—	—	—	—

# AIR CURTAINS - ENVIRONMENT SERIES



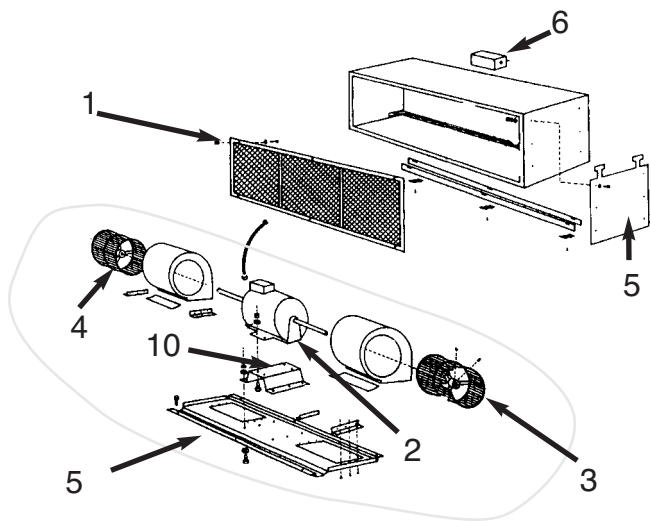
Key No.	Description	Part Numbers for Cabinets (length)				
		36"	38"	42"	48"	60"
1	Cabinet box assembly	1016-0096-000	1016-0096-001	1016-0096-002	1016-0096-003	1016-0096-004
2	Cabinet Intake Grille	1016-0093-000	1016-0093-001	1016-0093-002	1016-0093-003	1016-0093-004
3	Cabinet Intake grill knurled nut	AP0002	AP0002	AP0002	AP0002	AP0002
4	Cabinet louver kit	ACL36	ACL38	ACL42	ACL48	ACL60
5	Electric box Assy	1016-0107-101	1016-0107-101	1016-0107-101	1016-0107-101	1016-0107-101
6	Electric box cover	1402-2364-000	1402-2364-000	1402-2364-000	1402-2364-000	1402-2364-000
		Part Numbers for Motor Blower Assemblies				
		1/4HP	1/2HP	3/4HP		
7	Motor/Blower Assembly					
	120V 1-ph	ACMB125	ACMB150	ACMB175		
	220V 1-ph	ACMB225	ACMB250	ACMB275		
	208-230/460V 3-ph	ACMB325	ACMB350	ACMB375		
8	Rocker switch	C1220	C1220	C1220		
9	Cord, female plug	ACWS616	ACWS616	ACWS616		
10	Capacitor	ACCP1025	ACCP1025	ACCP1075		

# AIR CURTAINS - HIGH VELOCITY



Key No.	Description	Part Numbers for Cabinets (length)				
		36"	38"	42"	48"	60"
1	Cabinet box assembly	1016-0096-000	1016-0096-001	1016-0096-002	1016-0096-003	1016-0096-004
2	Cabinet Intake Grille	1016-0093-000	1016-0093-001	1016-0093-002	1016-0093-003	1016-0093-004
3	Cabinet Intake grill knurled nut	AP0002	AP0002	AP0002	AP0002	AP0002
4	Cabinet louver kit	ACL36	ACL38	ACL42	ACL48	ACL32
5	Electric box Assembly	1016-0107-101	1016-0107-101	1016-0107-101	1016-0107-101	1016-0107-101
6	Electric box cover	1402-2364-000	1402-2364-000	1402-2364-000	1402-2364-000	1402-2364-000
		Part Numbers for Motor Blower Assemblies				
		1HP	1-1/2HP	3HP		
7	Motor/Blower Assembly	ACMB300	ACMB305	ACMB330		
8	Cord, female plug	ACWS616	ACWS614	ACWS614		

# AIR CURTAINS - HIGH VOLUME - OBSOLETE

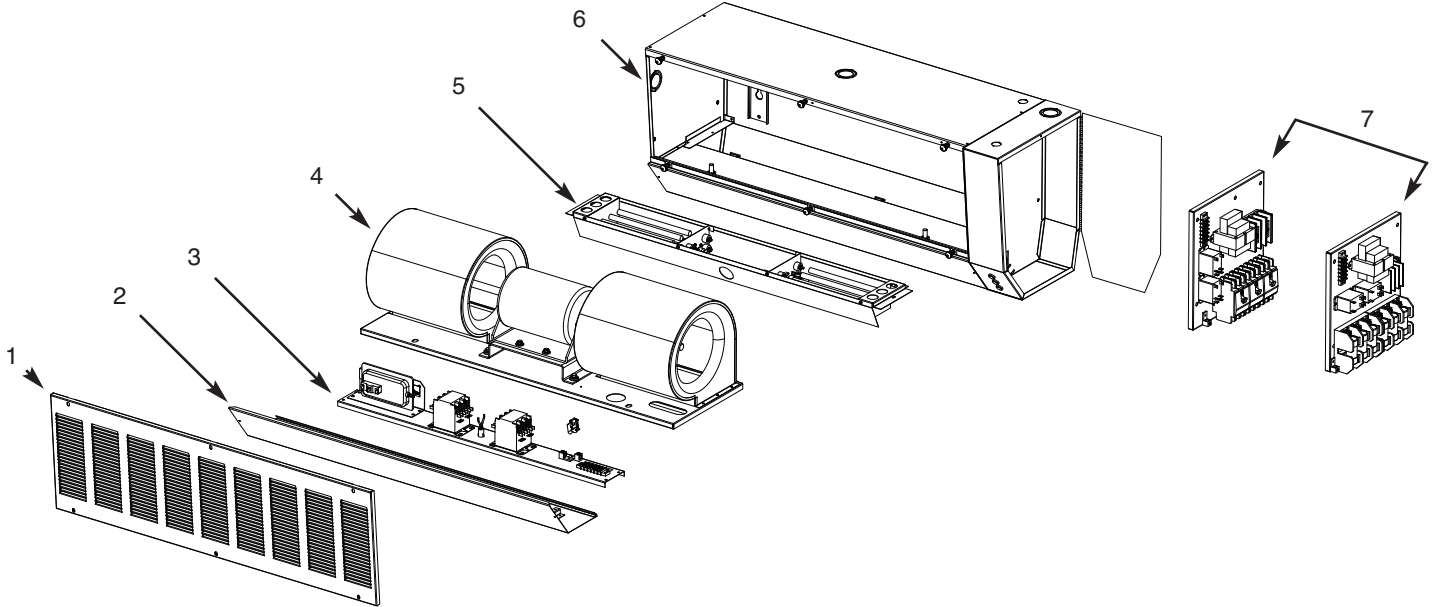


Key No.	Description	Part Number	
		WRS SERIES	WRE SERIES
1	Cabinet Intake grill knurled nut	AP0002	AP0002
2	Motor Assembly	HVM3200	HVM3300
3	Blower wheel-right	1225-2014-000	1225-2015-000
4	Blower wheel-left	1225-2014-001	1225-2015-001
5	Motor/blower pan	HVMP2	HVMP3
6	Electrical Junction Box	1217-2067-000	1217-2067-000



# AIR CURTAINS - 3-PHASE ELECTRICALLY HEATED

"Click" on part number to view price and availability  
[www.moreelectricheating.com](http://www.moreelectricheating.com)



Key No.	Description	Part Numbers for Cabinets (length)				
		36"	42"	48"	60"	
1	Cabinet Intake Grille	1016-0096-000	1016-0096-000	1016-0096-000	1016-0096-000	
2	Electric Box Cover	APMG36	APMG42	APMG48	APMG32	
3	Front Control Panel	AP0002	AP0002	AP0002	AP0002	
6	Cabinet Assembly	ACL36	ACL42	ACL48	ACL32	
8	Intake Grille Knurled Nut	ACEB	ACEB	ACEB	ACEB	
		Part Numbers for Motor Blower Assemblies				
		1/2 HP	3/4 HP	1 HP	3 HP	
4	Motor/Blower Assembly	208-230/460 3-Phase	ACMB350 (d)	ACMB375 (d)	ACMB300 (d)	ACMB330 (d)
		Part Numbers for Element Assemblies				
		240/208 Volt (b)		480 Volt		
5	Heaters Element Set					
	8 Kilowatt	1802-2133-000		1802-2133-003		
	12 Kilowatt	1802-2133-001		1802-2133-004		
	15 Kilowatt	1802-2133-002 (a)		n/a		
	16 Kilowatt	n/a		1802-2133-005		
		Part Numbers For Control Panel				
		240V/3 PH		208V/3 PH		
7	Main Control Panel					
	Single Cabinet, All motors	8, 12 or 15		4513-2184-001 ©		
	Double Cabinet, 1/2HP, 3/4HP, & 1HP	16		4513-2184-001 ©		
	Double Cabinet, All motors	24 or 30KW		4513-2185-000		
	Double Cabinet, 3 HP motors	16KW		4513-2185-000		
	Triple Cabinet, All motors	24, 36, or 45KW		4513-2186-000		
	Single Cabinet, All motors	6, 9 or 11.25KW		4513-2184-002 ©		
	Double Cabinet, 1/2HP, 3/4HP & 1HP	12KW		4513-2184-002 ©		
	Double Cabinet, All motors	18 or 22.5KW		4513-2185-001 *		
	Double Cabinet, 3 HP	12KW		4513-2185-001 *		
	Triple Cabinet, All motors	18, 27 or 33.75KW		4513-2186-001 *		
	Single Cabinet, All motors	8, 12 or 16KW				
	Double Cabinet, All motors	16, 24, 32KW				
	Triple Cabinet, 1/2HP, 3/4HP, & 1HP	24 or 36KW				
	Triple Cabinet, 3 HP motors	24KW				
	Triple Cabinet, 1/2HP, 3/4HP & 1 HP	48KW				
	Triple Cabinet, 3HP motors	36 or 48KW				
				4513-2184-000		
				4513-2184-000		
				4513-2184-000		
				4513-2184-000		
				4513-2187-000		
				4513-2187-000		

\*Notes (a) Maximum wattage of heater element set at 240 Volts is 15KW instead of 16KW.

(b) Wattage rating of heater element set at 208 Volts is 75% of wattage rating at 240 Volts

(c) Only Control Panels 4513-2184-000, 4513-2185-000, 4513-2186-000 and 4513-2187-000 are stocked. The 001 and 002 variations required only the re-wiring of the primary of the control transformer for the correct supply voltage. Refer to wiring diagram for correct transformer tap connections.

(d) Specify voltage supply for motors so it can be wired correctly from factory

# BUILDER PRODUCTS

Part Number	Description
<b>A535 &amp; A564</b>	
8767-8178	MOTOR (A564)
8528-8128	FAN BLADE (A564)
1230-8205	THERMAL LIMIT
8683-8279	GRILLE ASSEMBLY
8869-0023	SPRINGS (2 required)
<b>645</b>	
GM50	MOTOR/IMPELLER
8663-8052	FILTER
991-337-W	GRILLE & BOLT
068-041-W	BOLT
<b>646</b>	
GM50	MOTOR/IMPELLER
8663-8052	FILTER
357-089-W	GRILLE
460-010-W	LENS
<b>A647, MM647, A647B, MM647B</b>	
GM50	MOTOR/IMPELLER
991-630	DUCT ADAPTER
8536-0100	MOUNTING BRACKET
733-218	SPRING (2required)
991-616-W	GRILLE ASSEMBLY (A647/A647B)
357-105-W	GRILLE ASSEMBLY (MM647/B)
<b>761, 763 &amp; 765 - OBSOLETE</b>	
7163-9678	MOTOR (761)
7163-9676	MOTOR (763)
7163-9677	MOTOR (765)
8710-8019	IMPELLER
991-613	DUCT ADAPTER
526-102	MOTOR SCROLL
357-115-W	GRILLE ASSEMBLY
733-218	SPRINGS (2 required)
<b>680FRD, 650FRD, 610FRD</b>	
Z680FRD	BLOWER / MOTOR ASSM 680FRD
Z650FRD	BLOWER / MOTOR ASSM 650FRD
Z610FRD	BLOWER / MOTOR ASSM 610FRD
2501-2064-000	GRILLE
1215-2284-000	BRACKET
FL165	FUSE LINK

Part Number	Description
<b>MM648 &amp; MM748</b>	
GM50	MOTOR/IMPELLER (MM648)
GM70	MOTOR/IMPELLER (MM748)
991-630	DUCT ADAPTER
357-106-W	GRILLE ASSEMBLY
733-218	SPRING (2 required)
<b>A664IC &amp; MM664IC</b>	
GM50	MOTOR/IMPELLER
991-615	DUCT ADAPTER
8536-0100	MOUNTING BRACKET
733-218	SPRING (2 required)
3508-2002-000	LENS (MM664IC)
357-116-W	GRILLE ASSEMBLY (A664IC)
357-106-W	GRILLE ASSEMBLY (MM664IC)
460-010-W	LENS (A664IC)
<b>MM667IC &amp; MM667ICF</b>	
GM70	MOTOR/IMPELLER
991-615	DUCT ADAPTER
8536-0100	MOUNTING BRACKET
733-218	SPRING (2 required)
357-106-W	GRILLE ASSEMBLY
3508-2002-000	LENS COVER
6104-8019	BALLAST (MM667ICF)
<b>768IC &amp; 770IC OBSOLETE</b>	
7163-9676	MOTOR (768IC)
7163-9677	MOTOR (770IC)
8710-8019	IMPELLER
991-613	DUCT ADAPTER
526-102	MOTOR SCROLL
357-117-W	GRILLE ASSEMBLY
460-010-W	LENS
<b>6100</b>	
7163-9673	MOTOR
8710-8023	IMPELLER
991-613	DUCT ADAPTER
991-688	GRILLE ASSEMBLY
733-218	SPRINGS (2 required)
<b>6060</b>	
8767-8238	MOTOR
8710-8021	IMPELLER
991-613	DUCT ADAPTER
991-688	GRILLE ASSEMBLY
733-218	SPRINGS (2 required)

# BUILDER PRODUCTS

Part Number	Description
<b>6080</b>	
7173-0174	MOTOR
8710-8023	IMPELLER
991-613	DUCT ADAPTER
991-688	GRILLE ASSEMBLY
733-218	SPRINGS (2 required)
<b>6100RL</b>	
7163-9673	MOTOR
8710-8023	IMPELLER
991-613	DUCT ADAPTER
1016-0077-000	GRILLE ASSEMBLY
733-218	SPRINGS (2 required)
3508-2003-000	LENS
991-591	REFLECTOR ASSEMBLY
3519-0004-000	LAMPHOLDER
<b>7100H &amp; 7150H - OBSOLETE</b>	
7163-9674	MOTOR (7100)
7163-9675	MOTOR (7150H)
8710-8017	IMPELLER
991-613	DUCT ADAPTER
991-611-W	GRILLE ASSEMBLY
733-218	SPRINGS (2 required)
<b>7100LH &amp; 7150LH - OBSOLETE</b>	
7163-9674	MOTOR (7100)
7163-9675	MOTOR (7150)
8710-8017	IMPELLER
991-613	DUCT ADAPTER
991-608-W	GRILLE ASSEMBLY
733-218	SPRINGS (2 required)
8738-8017	LENS
8826-8040	REFLECTOR ASSEMBLY
8504-8476	LAMPHOLDER
<b>7100A, 7100LA, 7150A, &amp; 7150LA</b>	
7163-9674	MOTOR (7100A & 7100LA)
7163-9675	MOTOR (7150A & 7150LA)
8710-8017	IMPELLER
1016-0091-000	DUCT ADAPTER
991-611-W	GRILLE ASSEMBLY (7100A & 7150A)
991-608-W	GRILLE ASSEMBLY (7100 & 7150LA)
733-218	SPRINGS (2 required)
1016-0119-000	REFLECTOR ASY (7100LA & 7100LA)
8504-8476	LAMPHOLDER (7100A & 7100LA)
3508-2003-000	LENS (7100LA & 7150LA)
<b>8090A, 8090LA, 8100A, &amp; 8100LA</b>	
3900-2066-000	MOTOR (8090A & 8090LA)
7163-9674	MOTOR (8100A & 8100LA)
8710-8017	IMPELLER
1016-0091-000	DUCT ADAPTER
1016-0137-000	GRILLE ASY (8090A & 8100A)
1016-0136-000	GRILLE ASY (8090LA & 8100LA)
733-218	SPRINGS (2 required)
1016-0119-000	REFLECTOR ASY (8090LA & 8100LA)
8504-8476	LAMPHOLDER (8090LA & 8100LA)
8738-8017	LENS (8090LA & 8100LA)
<b>6060RL</b>	
8767-8238	MOTOR
8710-8021	IMPELLER
1016-0077-000	DUCT ADAPTER
991-689	GRILLE ASSEMBLY
733-218	SPRING (2 required)
3508-2003-000	LENS
991-591	REFLECTOR ASSEMBLY
3519-0004-000	LAMPHOLDER

Part Number	Description
<b>6080RL</b>	
7173-0174	MOTOR
8710-8023	IMPELLER
991-613	DUCT ADAPTER
1016-0077-000	GRILLE ASSEMBLY
733-218	SPRING (2 required)
3508-2003-000	LENS
991-591	REFLECTOR ASSEMBLY
3519-0004-000	LAMPHOLDER
<b>7100, 7130, 7150, 8090 &amp; 8100 - OBSOLETE</b>	
7163-9674	MOTOR (7100 & 8100)
3900-2066-000	MOTOR (8090)
7163-9673	MOTOR (7130)
7163-9675	MOTOR (7150)
8710-8017	IMPELLER
991-613	DUCT ADAPTER(7100 )
1016-0091-000	DUCT ADAPTER(8090 & 8100 )
991-611-W	GRILLE ASSEMBLY
733-218	SPRINGS (2 required)
<b>7100L, 7150L, 8090L &amp; 8100L - OBSOLETE</b>	
7163-9674	MOTOR (7100L & 8100L)
7163-9675	MOTOR (7150L)
8710-8017	IMPELLER
991-613	DUCT ADAPTER (7100L & 7150L)
991-608-W	GRILLE ASSEMBLY
733-218	SPRINGS (2 required)
8738-8017	LENS
1016-0119-000	REFLECTOR ASSEMBLY
8504-8476	LAMPHOLDER
3900-2066-000	MOTOR (8090L)
1016-0091-000	DUCT ADAPTER (8090L & 8100L)
<b>8060ES, 8080ES, 8100ES, &amp; 8140ES</b>	
3900-2079-000	MOTOR (8060ES & 8100ES)
3900-2080-000	MOTOR (8080ES & 8140ES)
8710-8017	IMPELLER
1016-0091-000	DUCT ADAPTER
1016-0137-000	GRILLE ASY (ALL)
733-218	SPRINGS (2 required)
<b>8060FL, 8080FL, 8100FL, 8140FL</b>	
3900-2079-000	MOTOR (8060FL & 8100FL)
3900-2080-000	MOTOR (8080FL & 8140FL)
8710-8017	IMPELLER
1016-0091-000	DUCT ADAPTER
1016-0136-000	GRILLE ASY
1016-0119-000	REFLECTOR ASY
8504-8097	LAMPHOLDER (2 required)
8738-8017	LENS, GLASS
1228-2002-000	BALLAST ASSY (2 required)
3510-2019-001	13 WATT LAMP
<b>8100ESH &amp; 8100FLH</b>	
3900-2079-000	MOTOR
8710-8017	IMPELLER
1016-0091-000	DUCT ADAPTER
1016-0136-000	GRILLE ASY (8100FLH)
1016-0137-000	GRILLE ASY (8100ESH)
1016-0119-000	REFLECTOR ASSY (8100FLH)
8504-8097	LAMPHOLDER (2 required)(8100FLH)
8738-8017	LENS, GLASS (8100FLH)
1228-2002-000	BALLAST ASSY (2 required)
3510-2019-001	13 WATT LAMP
1414-2032-000	HUMIDISTAT
1414-2031-000	TIMER

# BUILDER PRODUCTS

Part Number	Description
<b>1001 &amp; 1001BR</b>	
7163-9763	MOTOR
8710-8023	IMPELLER
991-613	DUCT ADAPTER
357-114-W	GRILLE (1001)
357-114-OP	GRILLE (1001BR)
733-218	SPRINGS (2 required)
460-011-W	LENS
<b>1001F</b>	
7163-9763	MOTOR
8710-8023	IMPELLER
991-613	DUCT ADAPTER
357-114-W	GRILLE (1001)
733-218	SPRINGS (2 required)
8738-8019	LENS
6104-8020	BALLAST
6102-8023	FLUORESCENT BULB
<b>MM698F</b>	
8767-8130	MOTOR - VENT
3900-2076-000	MOTOR - HEATER
8710-8016	IMPELLER
1016-0082-000	GRILLE ASSY - COMPLETE
8528-8052	BLADE
460-014-W	LENS
991-614	DUCT ADAPTER
1016-0073-000	HEATER SECTION
1016-0084-000	CONTROL ASSY - COMPLETE
6104-8019	BALLAST
6102-8023	FLUORESCENT BULB
<b>1100W</b>	
8767-8126	MOTOR - VENT
8767-8132	MOTOR - HEATER
8710-8016	IMPELLER - VENT
8710-8015	IMPELLER - HEATER
8504-8628	ELEMENT ASSEMBLY
8631-8009	DAMPER
8671-8031	THERMAL FUSE
8683-8172	GRILLE ASSEMBLY
460-009-W	LENS
8587-8169	CONTROL ASSEMBLY
<b>CV6</b>	
55130-1	GRILLE
56343-0	MOTOR
56334-0	IMPELLER
56327-0	GRILLE SPRING (EA.)
56326-0	GRILLE BUTTON (EA.)
<b>CV8</b>	
55131-1	GRILLE
56344-0	MOTOR
56335-0	IMPELLER
56327-0	GRILLE SPRINGS (EA.)
56326-0	GRILLE BUTTON (EA.)
<b>CV81</b>	
55131-1	GRILLE
56345-0	MOTOR
56335-0	IMPELLER
56327-0	GRILLE SPRINGS (EA.)
56326-0	GRILLE BUTTON (EA.)

Part Number	Description
<b>782W</b>	
8767-8238	MOTOR
8710-8021	IMPELLER
991-613	DUCT ADAPTER
357-114-W	GRILLE ASSEMBLY
733-218	SPRINGS (2 required)
460-011-W	LENS
<b>MM698 &amp; MM698WC</b>	
8767-8130	MOTOR - VENT
3900-2076-000	MOTOR - HEATER
8710-8016	IMPELLER
1016-0080-000	GRILLE ASSEMBLY - COMPLETE
8528-8052	BLADE
460-014-W	LENS
991-614	DUCT ADAPTER
1016-0073-000	HEATER SECTION - COMPLETE
1016-0084-000	CONTROL ASSEMBLY (MM698WC)
<b>MM728NL</b>	
3900-2049-000	MOTOR - VENT
3900-2076-000	MOTOR - HEATER
313-076	IMPELLER
1016-0080-000	GRILLE ASSEMBLY - COMPLETE
8528-8052	BLADE
460-014-W	LENS
991-614	DUCT ADAPTER
1016-0073-000	HEATER SECTION - COMPLETE
1016-0084-000	CONTROL ASSEMBLY
5007-2024-000	REFLECTOR ASSEMBLY
<b>B560</b>	
8767-8172	MOTOR - VENT
8710-8016	IMPELLER
8631-8009	DAMPER
1230-8205	THERMAL LIMIT
8683-8279	GRILLE ASSEMBLY
8869-0023	SPRINGS (2 required)
<b>CV10</b>	
55132-1	GRILLE
56346-0	MOTOR
56367-0	IMPELLER
56327-0	GRILLE SPRINGS (EA.)
56326-0	GRILLE BUTTON (EA.)
<b>CV101</b>	
55133-1	GRILLE
56347-0	MOTOR
56335-0	IMPELLER
56327-0	GRILLE SPRINGS (EA.)
56326-0	GRILLE BUTTON (EA.)
<b>CV12</b>	
55133-1	GRILLE
56350-0	MOTOR
56335-0	IMPELLER
56327-0	GRILLE SPRINGS (EA.)
56326-0	GRILLE BUTTON (EA.)

# BUILDER PRODUCTS

Part Number	Description
<b>B660W</b>	
8767-8172	MOTOR - VENT
8767-8178	MOTOR - HEATER
8710-8016	IMPELLER - VENT
8528-8128	BLADE - HEAT
8631-8009	DAMPER
1230-8205	THERMAL LIMIT
8683-8307	GRILLE ASSEMBLY
8869-0023	SPRINGS (2 required)
<b>790L</b>	
8767-8233	MOTOR
8528-8075	BLADE
8683-8061	GRILLE (without hole)
8683-8062	GRILLE (with hole)
6107-8073	SWITCH ASSEMBLY
<b>899L</b>	
8767-8232	MOTOR
8528-8026	BLADE
8683-8320	GRILLE (with hole)
0887-0009	SPRING
0899-0008	KNOB
8504-8341	SHUTTER
8683-8320	SWITCH
<b>Part Number</b>	<b>Description</b>
<b>B674W</b>	
8767-8178	MOTOR
8528-8128	BLADE - HEAT
1230-8205	THERMAL LIMIT
8683-8307	GRILLE ASSEMBLY
8869-0023	SPRINGS (2 required)

Part Number	Description
<b>760L</b>	
8767-8233	MOTOR
8528-0039	BLADE
8683-8295	GRILLE ASSEMBLY
0899-0008	KNOB
<b>898L &amp; 899L</b>	
8767-8232	MOTOR
8528-8026	BLADE
8683-8295	GRILLE (898L)
8683-8320	GRILLE (899L)
0887-0009	SPRING
0899-0008	KNOB
8862-8023	SHUTTER
<b>1047 &amp; 1080</b>	
7163-9672	MOTOR
8528-8152	BLADE
8683-8323	GRILLE (1047)
8683-8309	GRILLE (1080)
0899-0008	KNOB
0810-0288	SWITCH

Part Number	Description
<b>400XLH POWER CAT - OBSOLETE</b>	
357-102-B	GRILLE
8690-8004	HANDLE (TOP)
8690-8005	HANDLE (BOTTOM)
<b>CVS125 CENTRAL VAC</b>	
140222	MOTOR
110153	FILTER BAG
135023	MOTOR BRUSHES
100500	CIRCUIT BOARD
<b>CVS 230 &amp; 240 ELECTRIC POWER BRUSH (MODEL 045332)</b>	
155435	TOP/BOTTOM WAND
155501	BELT
155528	BRUSH ROLLER
155506	MOTOR
155517	CORD
<b>CVS 200, 230 &amp; 240 ACCESSORIES</b>	
045183	COMBO FLOOR/RUG TOOL
045134	BARE FLOOR TOOL
045153	UPHOLSTERY TOOL
045161	DUSTING BRUSH
045141	CREVICE TOOL
045039	HOSE RACK
045108	PLASTIC WAND (2 required)

Part Number	Description
<b>1200XL POWER CAT</b>	
7126-1094	MOTOR
8710-8007	IMPELLER
1432-0002-001	CAPACITOR
6107-8090	SWITCH
8685-8046	GUARD
8690-8004	HANDLE (TOP)
8690-8005	HANDLE (BOTTOM)
<b>CVS 135 CENTRAL VAC</b>	
140243	MOTOR
315251	ROCKER SWITCH
110153	FILTER BAG
135017	MOTOR BRUSHES
100550	CIRCUIT BOARD
<b>CVS 115 CENTRAL VAC</b>	
140220	MOTOR
110156	FILTER BAG
135022	MOTOR BRUSHES
100550	CIRCUIT BOARD
<b>CVS 210 TURBO BRUSH (MODEL 045214)</b>	
160151	DRIVE BELT
160152	ROLLER BRUSH
160161	TURBINE (COMPLETE)

# BUILDER PRODUCTS

Part Number	Description
<b>1235, 1235P, 2435, 2435P, 1535, 1535W, 1535BR HEATERS</b>	
1235-0007	MOTOR
1235-0008	BLADE
6101-8741	ELEMENT ASSEMBLY
8541-8054	LIMIT SWITCH
1230-8194	THERMOSTAT
8671-8036	THERMAL FUSE (2435, 2435P)
6112-8050	KNOB
1235-0037	SCREEN (1235, 2435)
1235-8046	SCREEN (1235P, 2435P)
8683-8270	GRILLE (1535)
8683-8351	GRILLE (1535BR)
8683-8352	GRILLE (1535W)
<b>A2520T, A2530T, A2540T HEATERS</b>	
8767-8036	MOTOR
8528-8019	BLADE
1230-8232	THERMOSTAT
6107-8018	3 POSITION SWITCH
8541-8056	LIMIT SWITCH
8671-8037	THERMAL FUSE
8683-8272	GRILLE
6112-8048	KNOB
8521-8118	BAG ASSEMBLY
6101-8751	ELEMENT ASSEMBLY (A2520T)
6101-8752	ELEMENT ASSEMBLY (A2530T)
6101-8753	ELEMENT ASSEMBLY (A2540T)
<b>A24DD WHOLEHOUSE FAN</b>	
7126-3438	MOTOR
8528-8150	BLADE
1432-0002-001	CAPACITOR
8587-8129	CONTROL ASSEMBLY
8680-8027	GASKET
1205-2054-000	BAG ASSEMBLY
<b>2438 WHOLEHOUSE FAN</b>	
7126-3436	MOTOR
8528-8147	BLADE
1432-0002-004	CAPACITOR
8587-8129	CONTROL ASSEMBLY
8680-8027	GASKET
1205-2054-000	BAG ASSEMBLY
8944-8024	SHEAVE - 4"
8944-8025	SHEAVE - 5"
9707-8053	V-BELT
8787-8159	PANEL

Part Number	Description
<b>1250 &amp; 1250P HEATER</b>	
8767-8114	MOTOR
8528-8016	BLADE
8671-8031	THERMAL FUSE
6101-8744	ELEMENT ASSEMBLY
8850-8022	SCREEN
<b>B2451 &amp; B2452 HEATERS</b>	
8767-8035	120V MOTOR
8767-8036	240V MOTOR
991-313	BLADE
1230-8206	THERMOSTAT
6107-8018	3 POSITION SWITCH
8541-8055	LIMIT SWITCH
6101-8741	ELEMENT ASSEMBLY (B2451)
6101-8472	ELEMENT ASSEMBLY (B2452)
8683-8275	GRILLE
6112-8048	KNOB
8521-8118	BAG ASSEMBLY
<b>A20DD WHOLEHOUSE FAN</b>	
7126-3441	MOTOR
8528-8069	BLADE
1432-0002-001	CAPACITOR
790-194	SWITCH
8680-8027	GASKET
1205-2054-000	BAG ASSEMBLY
<b>30DDWS WHOLEHOUSE FAN</b>	
517-091	MOTOR
8528-8146	BLADE
6100-8026	CAPACITOR
6107-8109	SWITCH
8680-8027	GASKET
1205-2054-000	BAG ASSEMBLY
<b>3038R WHOLEHOUSE FAN</b>	
7126-3439	MOTOR
8528-8148	BLADE
1432-0002-004	CAPACITOR
8587-8129	CONTROL ASSEMBLY
8680-8027	GASKET
1205-2054-000	BAG ASSEMBLY
8944-8023	SHEAVE - 3.5"
8944-8026	SHEAVE - 6"
9707-8054	V-BELT
8787-8159	PANEL

# BUILDER PRODUCTS

Part Number	Description
<b>3638R WHOLEHOUSE FAN</b>	
7126-3440	MOTOR
8528-8149	BLADE
6100-8026	CAPACITOR
8587-8133	CONTROL
8680-8027	GASKET
1205-2054-000	BAG ASSEMBLY
8944-8022	SHEAVE - 3"
8944-8027	SHEAVE - 7"
9707-8055	V-BELT
8787-8159	PANEL
<b>AGV14 GABLE VENTILATOR</b>	
7163-9739	MOTOR
8528-8142	BLADE
8541-8051	THERMOSTAT
<b>GV16 GABLE VENTILATOR</b>	
8767-8241	MOTOR
8528-8118	BLADE
1230-8192	THERMOSTAT
6100-8036	CAPACITOR
<b>LPE12 SERIES COMMERCIAL VENTILATOR</b>	
3808	MOTOR
991-285	BLADE
372-082	GUARD
2961	MT. KIT (GUARD)
441-229-B	KNOB
16000	SWITCH
991-718-G	ASSEMBLY FRAME (LPE12V)
2644	SHUTTER (LPE12S)
<b>LPE22V COMMERCIAL VENTILATOR</b>	
3900-2040-000	MOTOR
1210-2029-000	BLADE
372-089-C	GUARD
991-724-G	ASSEMBLY FRAME
<b>LPE24 SERIES COMMERCIAL VENTILATOR</b>	
3900-2040-000	MOTOR
1210-2014-000	BLADE
372-087-C	GUARD
2961	MT. KIT (GUARD)
3534	SHUTTER (LPE24S)

Part Number	Description
<b>MPV200 ROOF VENTILATOR</b>	
8767-8233	MOTOR
8528-8026	BLADE
8541-8051	THERMOSTAT
<b>ASRV14 ROOF VENTILATOR</b>	
7163-9739	MOTOR
8528-8142	BLADE
230-386	DOME
8541-8051	THERMOSTAT
<b>RV16 ROOF VENTILATOR</b>	
8767-8241	MOTOR
8528-8041	BLADE
8591-8426	DOME
1230-8192	THERMOSTAT
<b>LPE16 SERIES COMMERCIAL VENTILATOR</b>	
517-103	MOTOR
1210-2033-000	BLADE
372-086-C	GUARD
2961	MT. KIT (GUARD)
441-229-B	KNOB
16000	SWITCH
1106301	ASSEMBLY FRAME (LPE16V)
2649	SHUTTER (LPE16S)
<b>LPE30 SERIES COMMERCIAL VENTILATOR</b>	
3900-2040-000	MOTOR
1210-2026-000	BLADE
372-088-C	GUARD
2969	MT. KIT (GUARD)
991-562	SHUTTER (LPE30S)



# BUILDER PRODUCTS

Part Number	Description
<b>110 &amp; 112 IRONING CENTERS</b>	
1205-2055-000	BAG ASSEMBLY
8765-8003	MAGNETIC CATCH
8691-8011	HANGER ROD
8786-8019	COVER PAD
6107-8107-B	ROCKER SWITCH (112 only)
6107-8116	MOMENT SWITCH (112 only)
6112-8039	KNOB (112 only)
8587-8189	TIMER (112 only)
8665-8421	LIGHT FIXTURE (112 only)
<b>994BR CEILING FAN</b>	
245-043-BP	SWITCH CUP ASSEMBLY
8502-8019	BLADE ARM
8790-8251	OAK/CHERRY BLADE
093-404	MOUNTING BRACKET
1016-0070-000	HUB
8521-8105	BAG ASSEMBLY
<b>994PFRUST CEILING FAN</b>	
245-044-RUST	SWITCH CUP ASSEMBLY
8502-8044	BLADE ARM
8502-8048	TRIM CAP
8790-8247	BROWN BLADE
093-404	MOUNTING BRACKET
1016-0070-000	HUB
8521-8116	BAG ASSEMBLY
<b>A300 POWER CAT -OBSOLETE-</b>	
7163-5987	MOTOR
8710-8022	IMPELLER
6102-8009	LAMP
6107-8099	SWITCH
357-104-B	GRILLE
8828-8040	O-RING

Part Number	Description
<b>994AB CEILING FAN</b>	
245-043-ABR	SWITCH CUP ASSEMBLY
8502-8018	BLADE ARM
8790-8251	OAK/CHERRY BLADE
093-404	MOUNTING BRACKET
1016-0070-000	HUB
8521-8105	BAG ASSEMBLY
<b>994AN CEILING FAN</b>	
245-043-ALD	SWITCH CUP ASSEMBLY
8502-8021	BLADE ARM
8790-8185	ALMOND BLADE
093-404	MOUNTING BRACKET
1016-0070-000	HUB
8521-8105	BAG ASSEMBLY
<b>994W CEILING FAN</b>	
245-043-W	SWITCH CUP ASSEMBLY
8502-8035	BLADE ARM
8790-8248	WHITE BLADE
093-404	MOUNTING BRACKET
1016-0070-000	HUB
8521-8105	BAG ASSEMBLY
<b>994WBR CEILING FAN</b>	
245-043-BP	SWITCH CUP ASSEMBLY
8502-8019	BLADE ARM
8790-8232	WHITE BLADE
093-404	MOUNTING BRACKET
1016-0070-000	HUB
8521-8116	BAG ASSEMBLY
<b>994PFW CEILING FAN</b>	
245-044-W	SWITCH CUP ASSEMBLY
8502-8045	BLADE ARM
8502-8049	TRIM CAP
8790-8246	WHITE BLADE
093-404	MOUNTING BRACKET
1016-0070-000	HUB
8521-8116	BAG ASSEMBLY