

BASEBOARD Heater Parts	11-13
CB Series	13
CK Series	20-21
DAW Series	2-3
DEC Series	2-3
ECH Series	(Consult Factory)
EFW Series	10-11
HFC Series	(Consult Factory)
KB Series	17-19
KBP Series	16-17
KBS Series	19
KCC & KCF Series	21-22
KCV Series	14-15
KFS Series	23-24
KFUH Series	23-24
KP Series	14

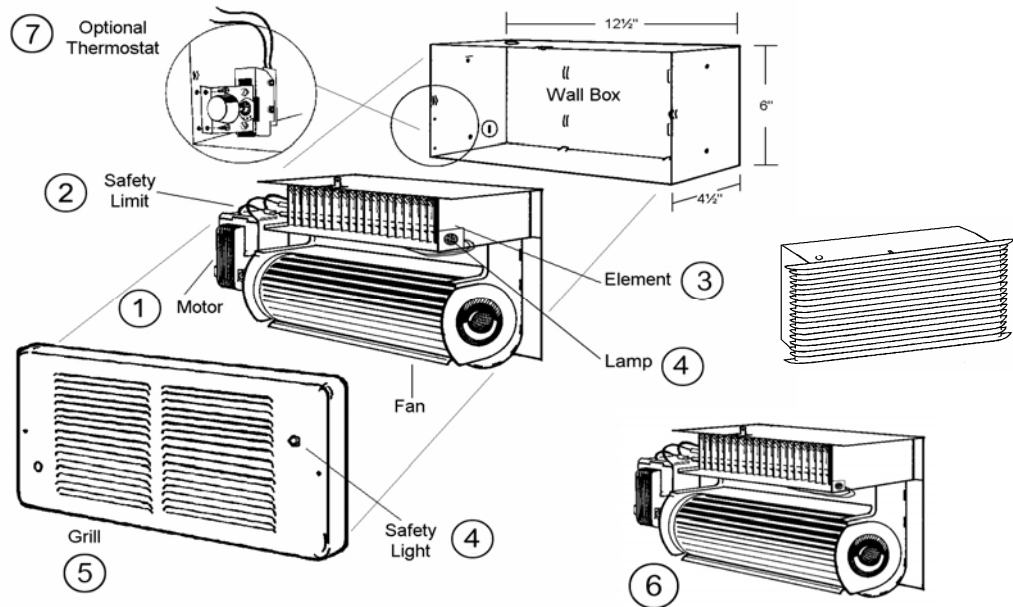
2006 PARTS BOOK

KT Series	7-8
LPW & LPWC Series	9
LPWA Series	9
M Series	(Consult Factory)
OK Series	(Consult Factory)
PAW Series	2-3
PKB Series	17-19
PWH Series	4-5
PZ Series	4
SB & LB Series	(Consult Factory)
S&K Series	(Consult Factory)
SL Series	2-3
U Series	15-16
W Series	6-7
WHF & WHFC Series	4-5

effective August 1, 2006

Pic-A-Watt Wall Heaters

The Pic-A-Watt, Decade, Dial-A-Watt and Slim Line share many of the same components. Items that are individual to the product are shown separately.



[Click on Part # to see pricing & availability at www.MorElectricHeating.com](http://www.MorElectricHeating.com)

PAW / DAW / DECADE / SL Replacement Parts (Includes Stainless Steel Heaters)

ITEM	UPC #093319 STOCK ORDER #	DESCRIPTION	WT (LBS)	LIST PRICE
1	120V FF MTR. BLOWER P16045	MOTOR & FAN 120 VOLT	1.96	\$ 120.15
	240V FF MTR. BLOWER	MOTOR & FAN 208 VOLT	1.96	\$ 120.15
		MOTOR & FAN 240 VOLT	1.96	\$ 120.15
2	36TH21-21158	HIGH TEMPERATURE SAFETY LIMIT	0.04	\$ 11.88
	PTC-120V-P	SMART LIMIT™ MANUAL RESET (120V)	0.01	\$ 14.04
	PTC-240V-P	SMART LIMIT™ MANUAL RESET (240V)	0.01	\$ 14.04
3	82E2	ELEMENT 120 VOLT 1500 WATT MAXIMUM	1.66	\$ 86.13
	82E1A	ELEMENT 240 VOLT 2250 WATT MAXIMUM	1.66	\$ 86.13
	82E5	ELEMENT 208 VOLT 2250 WATT MAXIMUM	1.66	\$ 86.13
	82E4	ELEMENT 208 VOLT 2000 WATT MAXIMUM	1.66	\$ 86.13
	82E3	ELEMENT 277 VOLT 2000 WATT MAXIMUM	1.66	\$ 86.13
4	ILI-401-22	SAFETY LIGHT LENS ONLY	0.01	\$ 4.86
	LAMP-8-120	SAFETY LIGHT LAMP ONLY 120V	0.02	\$ 4.86
	LAMP-8-240	SAFETY LIGHT LAMP ONLY 240V	0.02	\$ 4.86
5	KIN 381-.250	FOAM PADS 1" x 1"	0.00	\$ 0.54
	SCREW-SET	COMPLETE PACKAGE OF SCREWS	0.04	\$ 4.32
	06-04-SS	STAINLESS STEEL GRILL FOR PAW-SS AND DEC-SS SERIES	2.00	\$ 91.75
	18740	ULTRA GRILL (WHITE) - refer to current list price catalog	4.00	\$ -
	18745	ULTRA GRILL (ALMOND) - refer to current list price catalog	4.00	\$ -
	06-15-SS	STAINLESS STEEL GRILL FOR DAW-SS	1.30	\$ 112.22
	06 PAWS SLOPE TOP-SS	SLOPETOP SURFACE CAN	4.10	\$ 102.60
36TX26-6734	MECHANICAL MANUAL RESET LIMIT FOR MARINE HTRS	0.01	\$ 18.36	

Interior Only - No Grill or Can (Fits Into Existing Can)

ITEM	UPC #093319 STOCK ORDER #	DESCRIPTION	WT (LBS)	LIST PRICE
6	PAW2422H	PIC-A-WATT INTERIOR ONLY 240V 2250W	6.00	\$ 230.27
	PAW1215H	PIC-A-WATT INTERIOR ONLY 120V 1500W	6.00	\$ 230.27
	PAW2022H	PIC-A-WATT INTERIOR ONLY 208V 2250W	6.00	\$ 230.27
	PAW2720H	PIC-A-WATT INTERIOR ONLY 277V 2000W	6.00	\$ 257.09

CONTINUED →

Click on Part # to see pricing & availability at www.MorElectricHeating.com

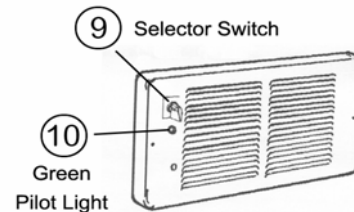
Thermostat Kits

ITEM	UPC #093319 STOCK ORDER #	DESCRIPTION	WT (LBS)	LIST PRICE
7	CS22PO#28B	THERMOSTAT - SINGLE POLE 22 AMP	0.35	\$ 22.68
	58T1D-303199	THERMOSTAT - DOUBLE POLE 22 AMP	0.35	\$ 35.64
	SE-WHT-1	KNOB ONLY FOR SINGLE POLE THERMOSTAT	0.01	\$ 5.94
	SE-WHT-2	KNOB ONLY FOR DOUBLE POLE THERMOSTAT	0.01	\$ 5.94



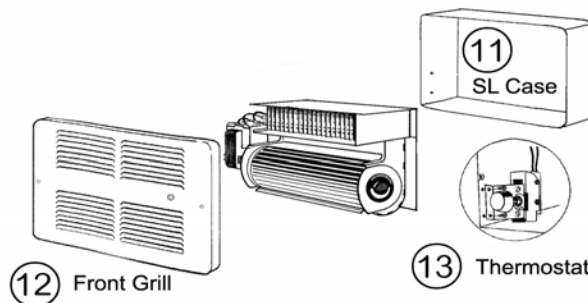
DECADE Heater - Replacement Parts

ITEM	UPC #093319 STOCK ORDER #	DESCRIPTION	WT (LBS)	LIST PRICE
8	06 120V/DEC MTR ASM	DECADE MOTOR - 120V	3.20	\$ 230.85
	06 208V/DEC MTR ASM	DECADE MOTOR - 208V	3.20	\$ 230.85
	06 240V/DEC MTR ASM	DECADE MOTOR - 240V	3.20	\$ 230.85
	DEC1215H	INTERIOR ONLY - 120 VOLT 1500 WATTS	8.00	\$ 330.87
	DEC2022H	INTERIOR ONLY - 208 VOLT 2250 WATTS	8.00	\$ 330.87
	DEC2422H	INTERIOR ONLY - 240 VOLT 2250 WATTS	8.00	\$ 330.87



DIAL-A-WATT Heater - Selector Switches & Accessories

ITEM	UPC #093319 STOCK ORDER #	DESCRIPTION	WT (LBS)	LIST PRICE
9	CA4-USJ735-F*USM470	AMERICAN SOLENOID SELECTOR SWITCH 240V W/ LABEL	0.16	\$ 142.56
	CA4-USJ735-F*USM469	AMERICAN SOLENOID SELECTOR SWITCH 120V W/ LABEL	0.16	\$ 142.56
	HA22010	WIRING HARNESS 120V FOR SELECTOR SWITCH	0.08	\$ 55.08
	HA22011	WIRING HARNESS 240V FOR SELECTOR SWITCH	0.08	\$ 55.08
10	GPL-120V	GREEN PILOT LIGHT	0.01	\$ 18.36



SLIM-LINE Heater

ITEM	UPC #093319 STOCK ORDER #	DESCRIPTION	WT (LBS)	LIST PRICE
11	08 SL SM CASE	CASE FOR SLIM LINE	3.50	\$ 42.48
12	08-07	GRILL ONLY FOR SLIM LINE	1.50	\$ 47.90
13	CS22PO#28B	SLIM LINE SINGLE POLE THERMOSTAT KIT	0.35	\$ 22.68
	58T1D-303199	SLIM LINE DOUBLE POLE THERMOSTAT KIT	0.35	\$ 35.64

Click on Part # to see pricing & availability at www.MorElectricHeating.com

PZ Series

Fan Wall Heater

Replacement Elements

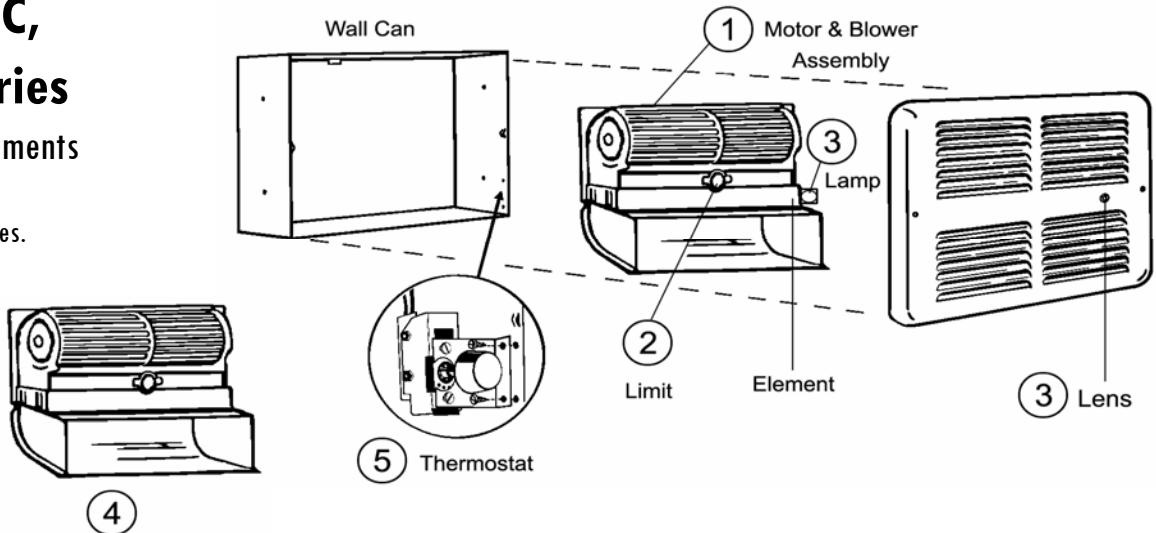
*Refer to PAW / DAW / DECADE / SL Replacement Parts: Items 1, 2, 4, 6 & Screw-Set

120V		208V		240V		277V		WT (LBS)	LIST PRICE
MODEL NUMBER	STOCK ORDER#	MODEL NUMBER	STOCK ORDER#	MODEL NUMBER	STOCK ORDER#	MODEL NUMBER	STOCK ORDER#		
PZ1207	82E2	PZ2007	82E8	PZ2407	82E12	PZ2710	82E3	1.66	\$ 86.13
PZ1210	82E2	PZ2010	82E4	PZ2410	82E13	PZ2720	82E3	1.66	\$ 86.13
PZ1215	82E2	PZ2015	82E8	PZ2415	82E12			1.66	\$ 86.13
		PZ2020	82E4	PZ2420	82E13			1.66	\$ 86.13

WHF, WHFC, & PWH Series

Replacement Elements

*Use WHF1215, 2420, & 2424 for PWH Series.



HEATER MODEL	UPC #093319 STOCK ORDER #	DESCRIPTION	WT (LBS)	LIST PRICE
WHF1210	F1210	ELEMENT 120V 2X500w	0.14	\$ 44.82
WHF1212	F1212	ELEMENT 120V 2x600W	0.14	\$ 44.82
WHF1215	F1215	ELEMENT 120V 2x750W (USE FOR PWH)	0.14	\$ 47.52
WHF2410	F2410	ELEMENT 240V 2x500W	0.14	\$ 45.63
WHF2412	F2412	ELEMENT 240V 2x600W	0.14	\$ 45.63
WHF2415	F2415	ELEMENT 240V 2x750W	0.14	\$ 45.63
WHF2420	F2420	ELEMENT 240V 2x1000W (USE FOR PWH)	0.14	\$ 49.68
WHF2424	F2424	ELEMENT 240V 2x1200W (USE FOR PWH)	0.14	\$ 51.03

CONTINUED →

Click on Part # to see pricing & availability at www.MorElectricHeating.com

WHF, WHFC, & PWH Series - Replacement Parts

ITEM	UPC #093319 STOCK ORDER #	DESCRIPTION	WT (LBS)	LIST PRICE
1	120V FF MTR BLOWER	BLOWER & MOTOR ASSEMBLY 120V	2.00	\$ 120.15
	240V FF MTR BLOWER	BLOWER & MOTOR ASSEMBLY 240V	2.00	\$ 120.15
2	36TH21-21159	HIGH TEMPERATURE SAFETY LIMIT	0.04	\$ 11.88
	PTC-120V	SMART LIMIT™ MANUAL RESET (120V)	0.04	\$ 14.04
	PTC-240V	SMART LIMIT™ MANUAL RESET (240V)	0.04	\$ 14.04
3	ILI-401-22	SAFETY LIGHT LENS ONLY (RED)	0.01	\$ 4.86
	LAMP-8-120	SAFETY LIGHT LAMP 120V	0.04	\$ 4.86
	LAMP-8-240	SAFETY LIGHT LAMP 240V	0.04	\$ 4.86
	SCREW-SET	COMPLETE PACKAGE OF SCREWS	0.04	\$ 4.32
	KIN 381-.250	FOAM PAD 1" x 1"	0.01	\$ 0.54

Interior Only - No Grill or Can (Fits Into Existing Can) *Use WHF1215H, 2420H, & 2424H for PWH Series

ITEM	UPC #093319 STOCK ORDER #	DESCRIPTION	WT (LBS)	LIST PRICE
4	WHF1210H	INTERIOR ONLY 120V 1000/500W	4.50	\$ 168.91
	WHF1215H	INTERIOR ONLY 120V 1500/750W (USE FOR PWH)	4.50	\$ 218.66
	WHF2410H	INTERIOR ONLY 240V 1000/500W	4.50	\$ 168.91
	WHF2415H	INTERIOR ONLY 240V 1500/750W	4.50	\$ 168.91
	WHF2420H	INTERIOR ONLY 240V 2000/1000W (USE FOR PWH)	4.50	\$ 175.86
	WHF2424H	INTERIOR ONLY 240V 2400/1200W (USE FOR PWH)	4.50	\$ 189.73

Thermostat Kits

ITEM	UPC #093319 STOCK ORDER #	DESCRIPTION	WT (LBS)	LIST PRICE
5	CS22PO#28B	THERMOSTAT - SINGLE POLE 22 AMP	0.35	\$ 22.68
	58T1D-303199	THERMOSTAT - DOUBLE POLE 22 AMP	0.35	\$ 35.64
	SE-WTT-1	KNOB ONLY FOR SINGLE POLE THERMOSTAT	0.01	\$ 5.94
	SE-WTT-2	KNOB ONLY FOR DOUBLE POLE THERMOSTAT	0.01	\$ 5.94

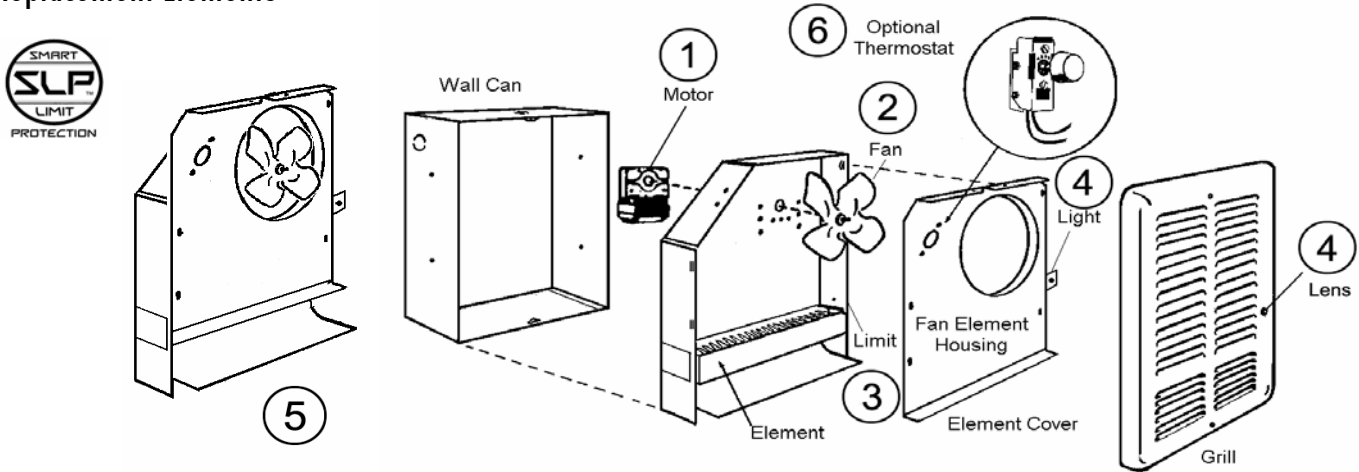
PWH Series - Unit Heater Accessories

UPC #093319 STOCK ORDER #	DESCRIPTION	WT (LBS)	LIST PRICE
22-20	SWIVEL BRACKET/STAND (REPLACEMENT ONLY)	1.70	\$ 26.83
T24C500Z-GRAY	BRACKET MOUNTING T-HANDLES (SET OF TWO)	0.08	\$ 4.86
SR7W-2	STRAIN RELIEF FOR CORD	0.04	\$ 1.08
14/3SJT105	CORD & PLUG 240V	0.68	\$ 22.95
16/3SJT105	CORD & PLUG 120V	0.46	\$ 26.46

W Series

Fan Wall Heater

Replacement Elements



HEATER MODEL	UPC #093319 STOCK ORDER #	DESCRIPTION	WT (LBS)	LIST PRICE
W1210	F1210	ELEMENT 120V 2x500W	0.14	\$ 44.82
W1212	F1212	ELEMENT 120V 2x600W	0.14	\$ 44.82
W1215	F1215	ELEMENT 120V 2x750W	0.14	\$ 47.52
W2410	F2410	ELEMENT 240V 2x500W	0.14	\$ 45.63
W2412	F2412	ELEMENT 240V 2x600W	0.14	\$ 45.63
W2415	F2415	ELEMENT 240V 2x750W	0.14	\$ 45.63
W2420	F2420	ELEMENT 240V 2x1000W	0.14	\$ 49.68
W2424	F2424	ELEMENT 240V 2x1200W	0.14	\$ 51.03

W Wall Heater - Replacement Parts

ITEM	UPC #093319 STOCK ORDER #	DESCRIPTION	WT (LBS)	LIST PRICE
1	J239-3031	MOTOR 120V MAXIMUM 1500W	1.05	\$ 44.28
	J239-3030	MOTOR 240V MAXIMUM 1500W	1.05	\$ 44.28
	J239-5120	MOTOR 240V 2000-2400W	1.12	\$ 49.68
2	143-AD5CW_3/16	FAN BLADE & NUT	0.08	\$ 10.26
3	36TH21-21158	HIGH TEMPERATURE SAFETY LIMIT	0.04	\$ 11.88
	PTC-120V	SMART LIMIT™ MANUAL RESET (120V)	0.04	\$ 14.04
	PTC-240V	SMART LIMIT™ MANUAL RESET (240V)	0.04	\$ 14.04
4	ILI-401-22	SAFETY LIGHT LENS ONLY (RED)	0.01	\$ 4.86
	LAMP-8-120	SAFETY LIGHT LAMP 120V	0.02	\$ 4.86
	LAMP-8-240	SAFETY LIGHT LAMP 240V	0.02	\$ 4.86
	SCREW-SET	COMPLETE PACKAGE OF SCREWS	0.04	\$ 4.32
	KIN 381-.250	FOAM PAD 1" x 1"	0.01	\$ 0.54

CONTINUED →

Click on Part # to see pricing & availability at www.MorElectricHeating.com

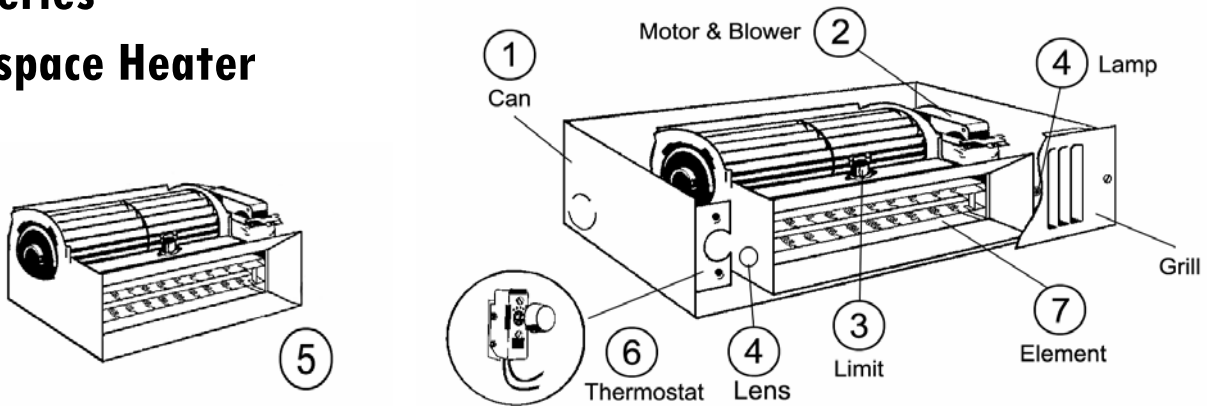
Interior Only - No Grill or Can (Fits Into Existing Can)

ITEM	UPC #093319 STOCK ORDER #	DESCRIPTION	WT (LBS)	LIST PRICE
5	W1210H	INTERIOR ONLY 120V 1000/500W	4.50	\$ 139.88
	W1212H	INTERIOR ONLY 120V 1200/600W	4.50	\$ 139.88
	W1215H	INTERIOR ONLY 120V 1500/750W	4.50	\$ 139.88
	W2410H	INTERIOR ONLY 240V 1000/500W	4.50	\$ 139.88
	W2415H	INTERIOR ONLY 240V 1500/750W	4.50	\$ 139.88
	W2420H	INTERIOR ONLY 240V 2000/1000W	4.50	\$ 145.77
	W2424H	INTERIOR ONLY 240V 2400/1200W	4.50	\$ 159.08

Thermostat Kits

ITEM	UPC #093319 STOCK ORDER #	DESCRIPTION	WT (LBS)	LIST PRICE
6	CS22PO#28B	THERMOSTAT - SINGLE POLE 22 AMP	0.35	\$ 22.68
	58T1D-303199	THERMOSTAT - DOUBLE POLE 22 AMP	0.35	\$ 35.64
	SE-WTT-1	KNOB ONLY FOR SINGLE POLE THERMOSTAT	0.01	\$ 5.94
	SE-WTT-2	KNOB ONLY FOR DOUBLE POLE THERMOSTAT	0.01	\$ 5.94

**KT Series
Kickspace Heater**



Replacement Elements - Item 7

HEATER MODEL	UPC #093319 STOCK ORDER #	DESCRIPTION	WT (LBS)	LIST PRICE
KT1210	F1210	ELEMENT 120V 2x500W	0.14	\$ 44.82
KT1212	F1212	ELEMENT 120V 2x600W	0.14	\$ 44.82
KT1215	F1215	ELEMENT 120V 2x750W	0.14	\$ 47.52
KT2410	F2410	ELEMENT 240V 2x500W	0.14	\$ 45.63
KT2412	F2412	ELEMENT 240V 2x600W	0.14	\$ 45.63
KT2415	F2415	ELEMENT 240V 2x750W	0.14	\$ 45.63

CONTINUED →

Click on Part # to see pricing & availability at www.MorElectricHeating.com

Replacement Parts

ITEM	UPC #093319 STOCK ORDER #	DESCRIPTION	WT (LBS)	LIST PRICE
1	24-01	BACK CAN - 3½" HIGH	2.30	\$ 13.41
	24-03	BACK CASE COVER (FITS BOTH 3½" & 4")	1.20	\$ 8.94
2	A138-2518LH-26LU	MOTOR & BLOWER ASSEMBLY 120V	1.84	\$ 187.92
	A117-2518L-72PW	MOTOR & BLOWER ASSEMBLY 240V	1.84	\$ 174.96
3	36TH21-21159	HIGH TEMPERATURE SAFETY LIMIT	0.04	\$ 11.88
4	LAMP-8-120	SAFETY LIGHT LENS	0.01	\$ 4.86
	LAMP-8-240	SAFETY LIGHT LAMP 240V	0.04	\$ 4.86
	SCREW-SET	COMPLETE PACKAGE OF SCREWS	0.04	\$ 4.32
	KIN 381-.250	FOAM PAD 1" x 1"	0.01	\$ 0.54

Interior Only - No Grill or Can (Fits Into Existing Can)

ITEM	UPC #093319 STOCK ORDER #	DESCRIPTION	WT (LBS)	LIST PRICE
5	KT1210H	INTERIOR ONLY 120V 1000/500W	5.10	\$ 299.06
	KT1212H	INTERIOR ONLY 120V 1200/600W	5.10	\$ 299.06
	KT1215H	INTERIOR ONLY 120V 1500/750W	5.10	\$ 299.06
	KT2410H	INTERIOR ONLY 240V 1000/500W	5.10	\$ 299.06
	KT2412H	INTERIOR ONLY 240V 1200/600W	5.10	\$ 299.06
	KT2415H	INTERIOR ONLY 240V 1500/750W	5.10	\$ 299.06

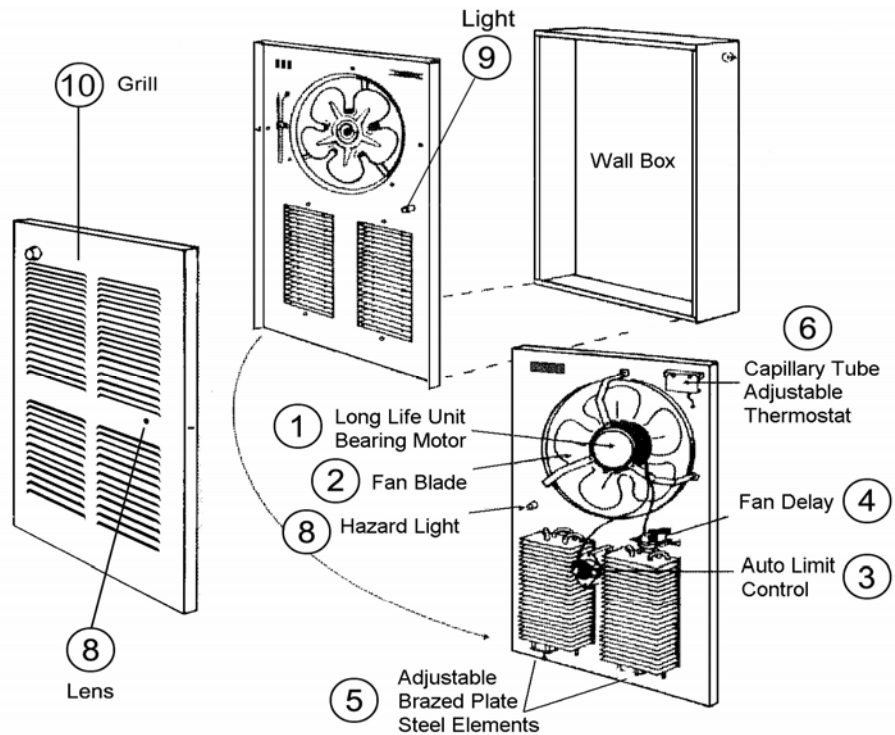
Thermostat Kits

ITEM	UPC #093319 STOCK ORDER #	DESCRIPTION	WT (LBS)	LIST PRICE
6	CS22PO#28B	THERMOSTAT - SINGLE POLE 22 AMP	0.35	\$ 22.68
	58T1D-303199	THERMOSTAT - DOUBLE POLE 22 AMP	0.35	\$ 35.64
	SE-WTT-1	KNOB ONLY FOR SINGLE POLE THERMOSTAT	0.04	\$ 5.94
	SE-WTT-2	KNOB ONLY FOR DOUBLE POLE THERMOSTAT	0.04	\$ 5.94

LPW, LPWA & LPWC Series

Large Pic-A-Watt Heater

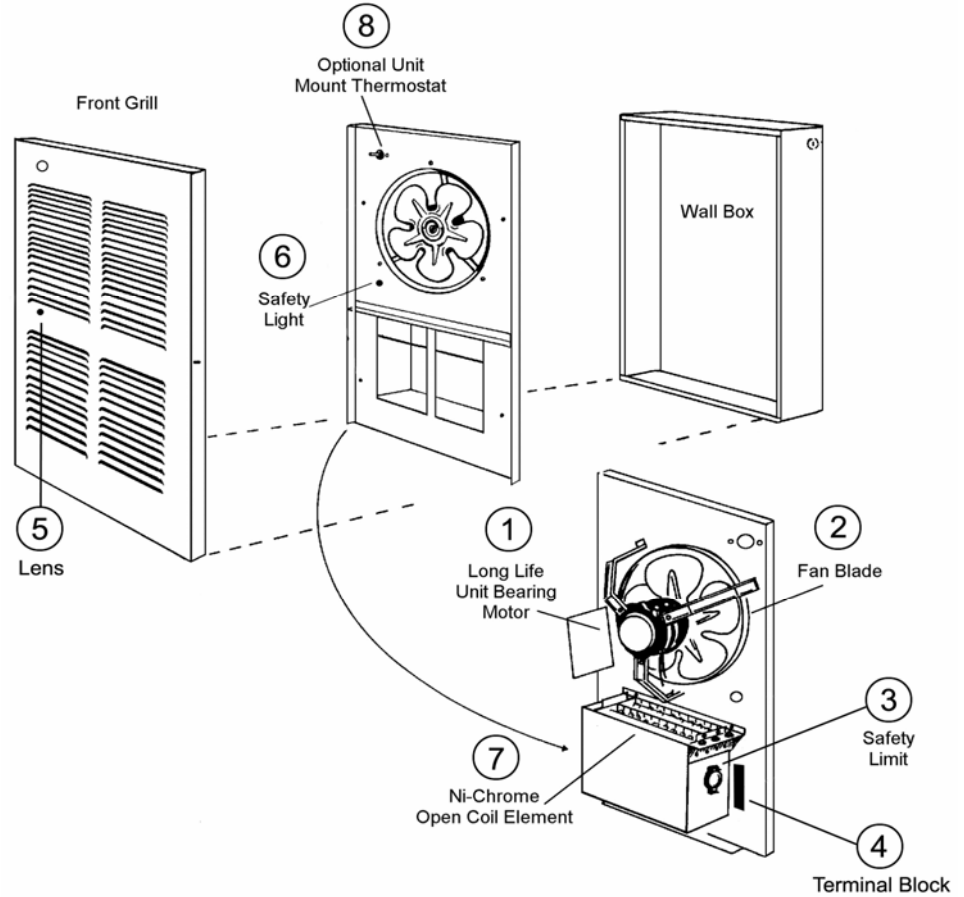
Replacement Parts



ITEM	UPC #093319 STOCK ORDER #	DESCRIPTION	WT (LBS)	LIST PRICE
1	SP-B3BAR1	MOTOR 120 VOLT	2.28	\$ 156.06
	SP-B3BAR28	MOTOR 208 VOLT	2.28	\$ 156.06
	SP-B3BAR2	MOTOR 208/240 VOLT	2.28	\$ 156.06
	SP-B3BAR27	MOTOR 277 VOLT	2.28	\$ 156.06
2	LPW-AFANBLADE	MOTOR FAN BLADE	0.18	\$ 15.66
	1/4-20 FIN HEX NUT	FAN NUT	0.04	\$ 1.08
3	60T11-201936	HIGH TEMPERATURE SAFETY LIMIT	0.06	\$ 17.82
4	60T13-208732	HEAT SENSING FAN DELAY SWITCH (UPDATED)	0.06	\$ 25.38
5	82E1A	ELEMENT 240 VOLT 2250 WATT MAXIMUM	1.66	\$ 86.13
	82E2	ELEMENT 120 VOLT 1500 WATT MAXIMUM	1.66	\$ 86.13
	82E4	ELEMENT 208 VOLT 2000 WATT MAXIMUM	1.66	\$ 86.13
	82E5	ELEMENT 208 VOLT 2250 WATT MAXIMUM	1.66	\$ 86.13
	82E3	ELEMENT 277 VOLT 2000 WATT MAXIMUM	1.66	\$ 86.13
6	275-5011-00	THERMOSTAT CAP TUBE STYLE (REPLACEMENT ONLY)	0.34	\$ 54.00
	275-5011-00-TP	THERMOSTAT TAMPER PROOF (REPLACEMENT ONLY)	0.34	\$ 64.80
	KBP KNOB	KNOB ONLY	0.04	\$ 4.86
	LPW-LABEL-GRAY	LABEL ONLY FOR T-STAT & ROTARY SWITCH	0.01	\$ 17.82
	HA-22003	ELEMENT WIRING HARNESS	0.12	\$ 11.88
7	2971-BJH247	FAN SWITCH - OLD STYLE (3 BUTTON FAN/HEAT/OFF)	0.14	\$ 38.88
8	271-92-426	ROTARY SWITCH (FAN/HEAT/OFF)	0.20	\$ 59.67
	ILI-401-22	SAFETY LIGHT LENS ONLY (RED)	0.01	\$ 4.86
9	LAMP-12-120	SAFETY LIGHT LAMP ONLY - 120 VOLT	0.04	\$ 4.86
	LAMP-12-240	SAFETY LIGHT LAMP ONLY - 240 VOLT	0.04	\$ 4.86
10	SCREW-SET	COMPLETE PACKAGE OF SCREWS	0.04	\$ 4.32
	30-18	REPLACEMENT CEILING GRILL	3.40	\$ 34.66
	271-92-426	ROTARY SWITCH	0.20	\$ 59.67

EFW Series Economy Wall Heater

Replacement Parts



ITEM	UPC #093319 STOCK ORDER #	DESCRIPTION	WT (LBS)	LIST PRICE
1	SP-B3BAR1	MOTOR 120V - 3 WATT	1.56	\$ 156.06
	SP-B3BAR2	MOTOR 208/230V - 3 WATT	1.56	\$ 156.06
2	LPW-AFANBLADE	FAN FOR MOTOR (FAN BLADE)	0.18	\$ 15.66
	1/4-20 FIN HEX NUT	FAN NUT	0.04	\$ 1.08
3	60T11-201936	HIGH TEMPERATURE SAFETY LIMIT	0.02	\$ 17.82
4	ESB1-4-6-H	TERMINAL BLOCK	0.04	\$ 4.86
5	ILI-401-22	SAFETY LIGHT LENS ONLY (CLEAR)	0.01	\$ 4.86
6	LAMP-12-120	SAFETY LIGHT LAMP 120V	0.04	\$ 4.86
	LAMP-12-240	SAFETY LIGHT LAMP 240V	0.04	\$ 4.86
	SCREW-SET	COMPLETE PACKAGE OF SCREWS	0.04	\$ 4.32

CONTINUED →

Replacement Elements (2 Elements Per Heater)

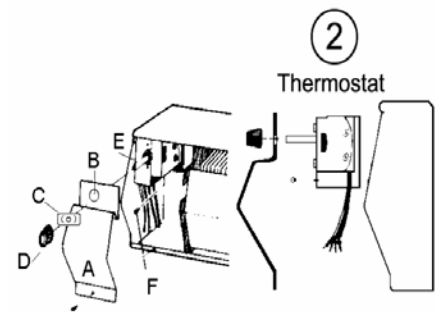
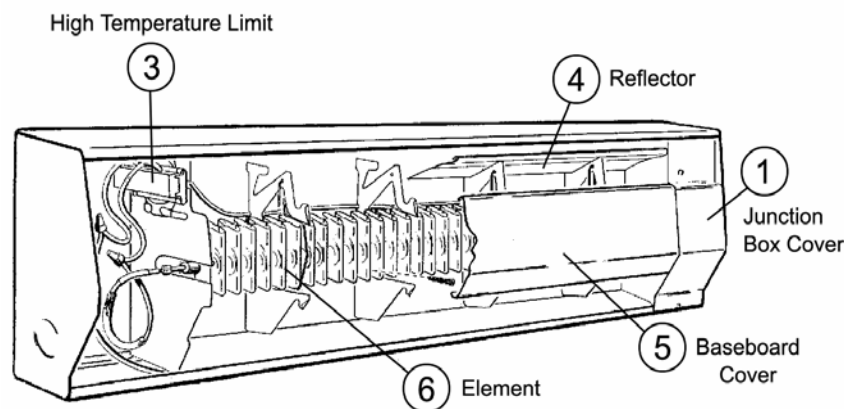
ITEM	UPC #093319 STOCK ORDER #	DESCRIPTION	WT (LBS)	LIST PRICE
7	F1210	ELEMENT 120V 2 x 500W	0.14	\$ 44.82
	F1212	ELEMENT 120V 2 x 600W	0.14	\$ 44.82
	F1215	ELEMENT 120V 2 x 750W	0.14	\$ 47.52
	F2020	ELEMENT 208V 2 x 1000W	0.14	\$ 45.63
	F2410	ELEMENT 240V 2 x 500W	0.14	\$ 45.63
	F2415	ELEMENT 240V 2 x 750W	0.14	\$ 45.63
	F2420	ELEMENT 240V 2 x 1000W	0.14	\$ 49.68
	F2424	ELEMENT 240V 2 x 1200W	0.14	\$ 51.03

Thermostat Kits

ITEM	UPC #093319 STOCK ORDER #	DESCRIPTION	WT (LBS)	LIST PRICE
8	CS22PO#27B	THERMOSTAT - SINGLE POLE 22 AMP	0.35	\$ 22.68
	58T1D-303138	THERMOSTAT - DOUBLE POLE 22 AMP	0.35	\$ 35.64
	KBP KNOB	KNOB ONLY FOR THERMOSTAT	0.04	\$ 4.86
	EFW-LABEL	LABEL FOR THERMOSTAT	0.01	\$ 4.05

K Series Baseboard Heater

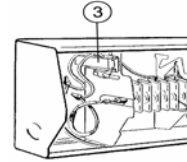
Replacement Parts



- A) Junction Box Cover
- B) 5/16" Knockout
- C) Pressure Sensitive Label
- D) Knob
- E) Thermostat
- F) #7 Sheet Metal Screw

ITEM	UPC #093319 STOCK ORDER #	DESCRIPTION	WT (LBS)	LIST PRICE
1	03-05	J BOX COVER - ALMOND	0.20	\$ 4.47
	03-06	J BOX COVER W/ THERMOSTAT - ALMOND	0.20	\$ 4.47
	03-05-BW	J BOX COVER - BRIGHT WHITE	0.20	\$ 4.47
	03-06-BW	J BOX COVER W/ THERMOSTAT - BRIGHT WHITE	0.20	\$ 4.47
2	CS22PO#27B	SINGLE POLE INTEGRAL THERMOSTAT	0.30	\$ 22.68
	CS22PO#28	SINGLE POLE INTEGRAL THERMOSTAT - LONG SHAFT	0.30	\$ 22.68
	58T1D-303138	DOUBLE POLE THERMOSTAT	0.30	\$ 35.64
	PT-2-P-S	KNOB ONLY FOR INBUILT THERMOSTAT	0.01	\$ 9.18
	LBL BKT1	LABEL FOR SINGLE POLE THERMOSTAT	0.01	\$ 4.05
	LBL BKT2	LABEL FOR DOUBLE POLE THERMOSTAT	0.01	\$ 4.05

High Temperature Limit



High Temperature Limits 175° (Consult factory for 210° Limits)

ITEM	UPC #093319 STOCK ORDER #	DESCRIPTION	WT (LBS)	LIST PRICE
3	BB 2 175	FOR 27" HEATER	0.10	\$ 26.46
	BB 3 175	FOR 3' HEATER	0.10	\$ 26.73
	BB 4 175	FOR 4' HEATER	0.10	\$ 27.27
	BB 5 175	FOR 5' HEATER	0.10	\$ 28.35
	BB 6 175	FOR 6' HEATER	0.10	\$ 29.43
	BB 7 175	FOR 7' HEATER	0.10	\$ 30.24
	BB 8 175	FOR 8' HEATER	0.10	\$ 31.32
	BB 10 175	FOR 10' HEATER	0.10	\$ 33.48

Covers and Reflectors for Baseboard Heaters - Items 4 & 5

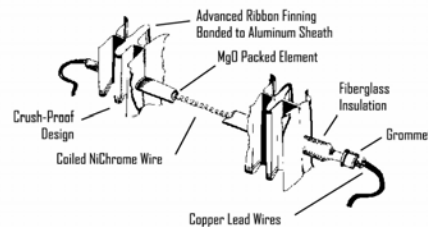
*Add Suffix: (-AL) For ALMOND; (-BW) For BRIGHT WHITE

BASEBOARD LENGTH	22 GA FRONT COVER - ITEM 4			18 GA FRONT COVER			REFLECTOR - ITEM 5		
	STOCK ORDER #	WT. (LBS)	LIST PRICE	STOCK ORDER #	WT. (LBS)	LIST PRICE	STOCK ORDER #	WT. (LBS)	LIST PRICE
27"	03-0202	0.56	\$ 6.71	03-0202-18	0.86	\$ 9.94	03-0702	0.28	\$ 4.47
3'	03-0203	0.82	\$ 10.07	03-0203-18	1.23	\$ 13.42	03-0703	0.40	\$ 3.51
4'	03-0204	1.26	\$ 13.41	03-0204-18	1.89	\$ 17.88	03-0704	0.58	\$ 8.94
5'	03-0205	1.62	\$ 16.77	03-0205-18	2.43	\$ 22.36	03-0705	0.78	\$ 11.18
6'	03-0206	1.96	\$ 20.12	03-0206-18	2.94	\$ 26.83	03-0706	0.94	\$ 13.41
7'	03-0207	2.30	\$ 23.48	03-0207-18	3.52	\$ 31.30	03-0707	1.13	\$ 15.65
8'	03-0208	2.70	\$ 26.83	03-0208-18	4.05	\$ 35.77	03-0708	1.32	\$ 17.88
9'	03-0209	3.10	\$ 30.19	03-0209-18	4.74	\$ 40.24	03-0709	1.44	\$ 20.12
10'	03-0210	3.48	\$ 33.53	03-0210-18	5.22	\$ 44.71	03-0710	1.56	\$ 22.36

Ribbon Fined Heating Elements for Baseboard Heaters

Item 6 - K-Series, B Series & X-Series

Standard Density (250 Watts Per Foot)



120V		208V		HEATER LENGTH	ELEMENT LENGTH	WT. (LBS)	LIST PRICE
LENGTH & WATTS	UPC #093319 STOCK ORDER #	LENGTH & WATTS	UPC #093319 STOCK ORDER #				
27' 500W	B2-1205ELE	27' 500W	B2-2005ELE	27"	21"	0.60	\$ 23.76
3' 750W	B3-1207ELE	3' 750W	B3-2007ELE	3'	30"	0.86	\$ 23.76
4' 1000W	B4-1210ELE	4' 1000W	B4-2010ELE	4'	40"	1.18	\$ 39.96
5' 1200W	B5-1212ELE	5' 1200W	B5-2012ELE	5'	54"	1.56	\$ 37.80
6' 1500W	B6-1215ELE	6' 1500W	B6-2015ELE	6'	66"	1.94	\$ 48.60
		7' 1800W	B7-2018ELE	7'	78"	2.34	\$ 51.84
		8' 2000W	B8-2020ELE	8'	90"	2.70	\$ 60.48
		9' 2250W	B9-2022ELE	9'	102"	2.44	\$ 63.72
		10' 2500W	B10-2025ELE	10'	114"	3.38	\$ 62.64

CONTINUED →

Click on Part # to see pricing & availability at www.MorElectricHeating.com

Ribbon-Finned Heating Elements for Baseboard Heaters

Item 6 - K-Series, B Series & X-Series (Continued)

Standard Density (250 Watts Per Foot)

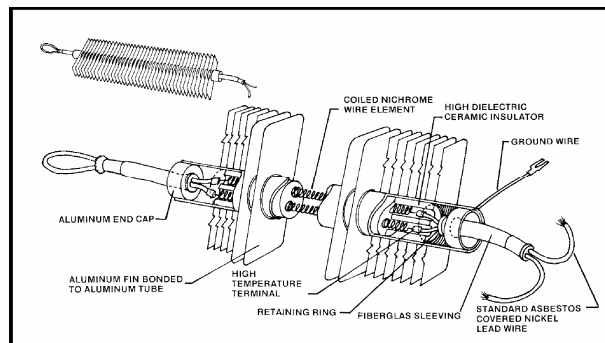
240V		277V		HEATER LENGTH	ELEMENT LENGTH	WT. (LBS)	LIST PRICE
LENGTH & WATTS	UPC #093319 STOCK ORDER #	LENGTH & WATTS	UPC #093319 STOCK ORDER #				
27' 500W	B2-2405ELE	27' 300W	B2-2403ELE	27"	21"	0.60	\$ 33.48
3' 750W	B3-2407ELE	3' 500W	B3-2405ELE	3'	30"	0.86	\$ 38.88
4' 1000W	B4-2410ELE	4' 750W	B4-2407ELE	4'	40"	1.18	\$ 39.96
5' 1200W	B5-2412ELE	5' 1000W	B5-2410ELE	5'	54"	1.56	\$ 52.92
6' 1500W	B6-2415ELE	6' 1200W	B6-2412ELE	6'	66"	1.94	\$ 51.84
7' 1800W	B7-2418ELE			7'	78"	2.34	\$ 61.56
8' 2000W	B8-2420ELE	8' 1500W	B8-2415ELE	8'	90"	2.70	\$ 60.48
9' 2250W	B9-2422ELE			9'	102"	2.44	\$ 63.72
10' 2500W	B10-2425ELE	10' 1800W	B10-2418ELE	10'	114"	3.38	\$ 74.52
10' 3000W	B10-2430ELE			10'	114"	3.38	\$ 74.52

Ribbon-Finned Heating Elements for Baseboard Heaters - Item 6

Low Density (187 Watts Per Foot)

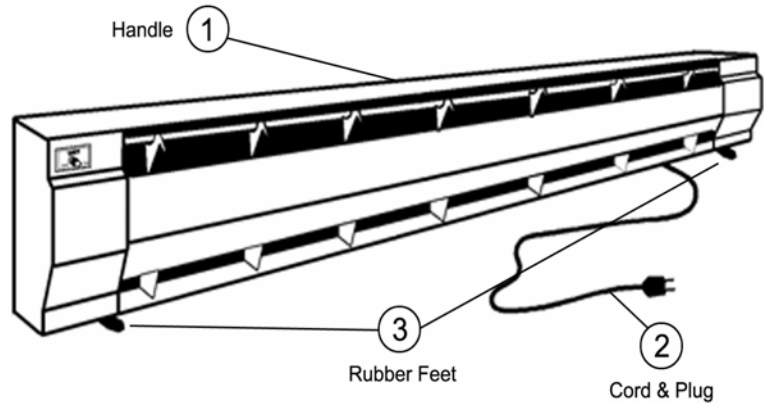
208V		240V		HEATER LENGTH	ELEMENT LENGTH	WT. (LBS)	LIST PRICE
MODEL NUMBER	UPC #093319 STOCK ORDER #	MODEL NUMBER	UPC #093319 STOCK ORDER #				
27' 500W	B2-2405ELE	27' 300W	B2-2403ELE	27"	21"	0.60	\$ 33.48
3' 750W	B3-2407ELE	3' 500W	B3-2405ELE	3'	30"	0.86	\$ 38.88
4' 1000W	B4-2410ELE	4' 750W	B4-2407ELE	4'	40"	1.18	\$ 39.96
5' 1200W	B5-2412ELE	5' 1000W	B5-2410ELE	5'	54"	1.56	\$ 44.92
6' 1500W	B6-2415ELE	6' 1200W	B6-2412ELE	6'	66"	1.94	\$ 52.92
7' 1800W	B7-2418ELE	7' 1400W	B7-2414ELE	7'	78"	2.34	\$ 61.56
8' 2000W	B8-2420ELE	8' 1500W	B8-2415ELE	8'	90"	2.70	\$ 62.51
9' 2250W	B9-2422ELE	9' 1750W	B9-2417ELE	9'	102"	2.44	\$ 63.72
10' 2500W	B10-2425ELE	10' 1800W	B10-2418ELE	10'	114"	3.38	\$ 74.52

CB Series Ceramic Baseboard Replacement Elements



BASEBOARD LENGTH	120V	208V	240V	WT. (LBS)	LIST PRICE
	STOCK	STOCK	STOCK		
27"	CERAMIC 2-1203 ELE	CERAMIC 2-2003 ELE	CERAMIC 2-2403 ELE	1.50	\$ 145.80
3'	CERAMIC 3-1205 ELE	CERAMIC 3-2005 ELE	CERAMIC 3-2405 ELE	1.50	\$ 166.32
4'	CERAMIC 4-1207 ELE	CERAMIC 4-2007 ELE	CERAMIC 4-2407 ELE	1.50	\$ 198.28
5'	CERAMIC 5-1210 ELE	CERAMIC 5-2010 ELE	CERAMIC 5-2410 ELE	1.50	\$ 272.16
6'	CERAMIC 6-1212 ELE	CERAMIC 6-2012 ELE	CERAMIC 6-2412 ELE	1.50	\$ 311.04
8'		CERAMIC 8-2015 ELE	CERAMIC 8-2415 ELE	1.50	\$ 361.80

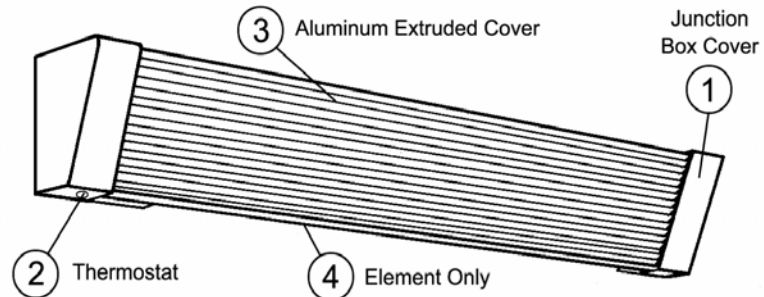
KP Series Portable Baseboard Heater



*Refer to K Series for Replacement Parts

ITEM	UPC #093319 STOCK ORDER #	DESCRIPTION	WT (LBS)	LIST PRICE
1	3700-002	HANDLE	0.04	\$ 7.56
2	16/3SJT105 SR6N3-4	CORD - 6FT W/ 120 VOLT 15 AMP PLUG	0.46	\$ 26.46
		STRAIN RELIEF	0.04	\$ 1.08
3	.062X.750:DB135 CM1535-75	RUBBER FEET - NEED FOUR PER UNIT	0.01	\$ 0.27
		TIP OVER SWITCH	0.32	\$ 19.44

KCV Series Cove Heater Replacement Parts



ITEM	UPC #093319 STOCK ORDER #	DESCRIPTION	WT (LBS)	LIST PRICE
1	04-04L 04-04R	J BOX COVER LEFT SIDE	0.12	\$ 8.94
		J BOX COVER RIGHT SIDE	0.12	\$ 8.94
2	58T1S-302736 58T1D-303138 PT-2-P-S LBL BKT1 LBL BKT2	THERMOSTAT SINGLE POLE	0.35	\$ 28.08
		THERMOSTAT DOUBLE POLE	0.35	\$ 35.64
		KNOB ONLY FOR INBUILT THERMOSTAT	0.01	\$ 9.18
		LABEL FOR SINGLE POLE THERMOSTAT	0.01	\$ 4.05
		LABEL FOR DOUBLE POLE THERMOSTAT	0.01	\$ 4.05

Aluminum Extruded Cover Only (No Element)

ITEM	HEATER LENGTH	STOCK ORDER #	DESCRIPTION	WT (LBS)	LIST PRICE
3	24"	04-0602	EXTRUDED ALUMINUM COVER FOR 24" COVE HEATER	1.60	\$ 74.90
	34"	04-0604	EXTRUDED ALUMINUM COVER FOR 34" COVE HEATER	2.30	\$ 110.67
	47"	04-0606	EXTRUDED ALUMINUM COVER FOR 47" COVE HEATER	3.10	\$ 148.67
	59"	04-0607	EXTRUDED ALUMINUM COVER FOR 59" COVE HEATER	3.90	\$ 186.12
	71"	04-0609	EXTRUDED ALUMINUM COVER FOR 71" COVE HEATER	4.70	\$ 211.27
	83"	04-0610	EXTRUDED ALUMINUM COVER FOR 83" COVE HEATER	5.50	\$ 247.04
	94"	04-0612	EXTRUDED ALUMINUM COVER FOR 94" COVE HEATER	6.20	\$ 279.45
	118"	04-0615	EXTRUDED ALUMINUM COVER FOR 118" COVE HEATER	7.80	\$ 352.11

CONTINUED →

[Click on Part # to see pricing & availability at www.MorElectricHeating.com](http://www.MorElectricHeating.com)

Element Only (No Aluminum Extruded Cover)

ITEM	120V		240V		HEATER LENGTH	ELEMENT LENGTH	WT (LBS)	LIST PRICE
	MODEL NUMBER	STOCK ORDER #	MODEL NUMBER	STOCK ORDER #				
4	KCV1202	CV1202			24"	12"	0.30	\$ 19.98
	KCV1204	CV1204	KCV2404	CV2404	34"	22"	0.36	\$ 24.84
	KCV1206	CV1206	KCV2406	CV2406	47"	35"	0.58	\$ 34.29
	KCV1207	CV1207	KCV2407	CV2407	59"	47"	0.68	\$ 40.23
			KCV2409	CV2409	71"	59"	0.92	\$ 49.68
	KCV1210	CV1210	KCV2410	CV2410	83"	71"	1.14	\$ 52.92
			KCV2412	CV2412	94"	82"	1.34	\$ 60.75
			KCV2415	CV2415	118"	106"	1.60	\$ 75.06

**RW Series
Radiant Wall Heater**



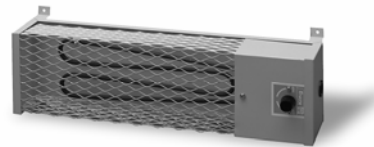
Replacement Parts

UPC #093319 STOCK ORDER #	DESCRIPTION	WT (LBS)	LIST PRICE
CS22PO#27B	THERMOSTAT	0.32	\$ 22.68
PT-2-P-S	THERMOSTAT KNOB ONLY	0.01	\$ 9.18
2822-LOW-HIGH	LABEL FOR THERMOSTAT	0.01	\$ 4.05

Replacement Elements

UPC #093319 STOCK ORDER #	DESCRIPTION	WT (LBS)	LIST PRICE
5007533	ELEMENT 120V 500W	0.42	\$ 61.02
5007564	ELEMENT 120V 750W	0.42	\$ 61.02
5007534	ELEMENT 120V 1000W	0.42	\$ 61.02
5007565	ELEMENT 240V 250W	0.42	\$ 61.02
5007566	ELEMENT 240V 500W	0.42	\$ 61.02
5007535	ELEMENT 240V 750W	0.42	\$ 61.02
5007536	ELEMENT 240V 1000W	0.42	\$ 61.02

U Series - Pump House Heater



**Utility Pump House Heater Replacement Parts
(Includes Stainless Steel Parts)**

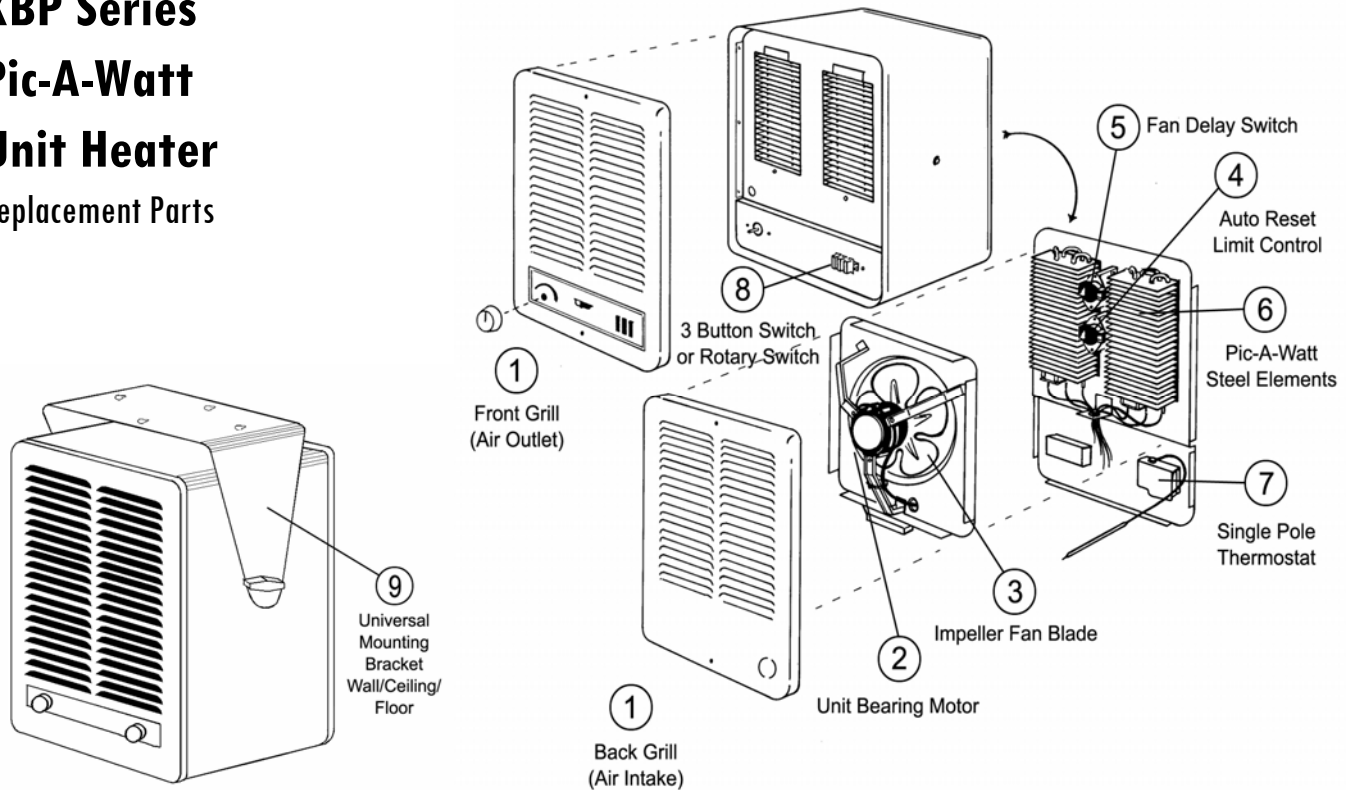
UPC #093319 STOCK ORDER #	DESCRIPTION	WT (LBS)	LIST PRICE
CS22PO#27B	THERMOSTAT +/- 6° 45-80°	0.32	\$ 22.68
275-2822-00	THERMOSTAT +/- 1° 40-90°	0.32	\$ 75.60
PT-2-P-S	KNOB ONLY FOR THERMOSTAT	0.01	\$ 9.18
2822-LOW-HIGH	LABEL FOR THERMOSTAT	0.01	\$ 4.05
BB 3 210	LIMIT (PART#10H11)	0.01	\$ 26.46
16/3SJT105	CORD - 6FT W/ 120 VOLT 15 AMP PLUG	0.46	\$ 26.46

CONTINUED →

Replacement Elements

UPC #093319 STOCK ORDER #	DESCRIPTION	WT (LBS)	LIST PRICE
5007533	ELEMENT 120V 500W	0.42	\$ 61.02
5007564	ELEMENT 120V 750W	0.42	\$ 61.02
5007534	ELEMENT 120V 1000W	0.42	\$ 61.02
5007565	ELEMENT 240V 250W	0.42	\$ 61.02
5007566	ELEMENT 240V 500W	0.42	\$ 61.02
5007535	ELEMENT 240V 750W	0.42	\$ 61.02
5007536	ELEMENT 240V 1000W	0.42	\$ 61.02

KBP Series Pic-A-Watt Unit Heater Replacement Parts



ITEM	UPC #093319 STOCK ORDER #	DESCRIPTION	WT (LBS)	LIST PRICE
1	40-05	GRILL FRONT ALMOND	1.64	\$ 57.84
	40-06	BACK GRILL ALMOND	1.64	\$ 39.33
	KBP-LABEL	LABEL FOR FRONT GRILL	0.01	\$ 7.56
2	SP-B5BAR28	MOTOR 208 VOLT - 5 WATT	2.28	\$ 156.06
	SP-B5BAR2	MOTOR 208/230 VOLT - 5 WATT	2.28	\$ 156.06
	SP-B5BAR27	MOTOR 277 VOLT - 5 WATT	2.28	\$ 160.12
	SP-B5BAR8	MOTOR 480 VOLT - 5 WATT	2.28	\$ 168.44
3	KBP-A FAN BLADE	FAN FOR MOTOR	0.18	\$ 15.66
	1/4-20 FIN HEX NUT	FAN NUT	0.04	\$ 1.08
4	60T11-201936	HIGH TEMPERATURE SAFETY LIMIT	0.06	\$ 17.82

CONTINUED →

5	60T13-208732	HEAT SENSING FAN DELAY SWITCH (UPDATED)	0.04	\$ 25.38
6	82E11	ELEMENT NO JUMPER 240 VOLT 3000 WATT MAXIMUM	1.66	\$ 86.13
	82E10	ELEMENT 240 VOLT 3000 WATT MAXIMUM	1.66	\$ 86.13
	82E2	ELEMENT 120 VOLT 1500 WATT MAXIMUM	1.66	\$ 86.13
	82E14	ELEMENT NO JUMPER 208 VOLT 3000 WATT MAXIMUM	1.66	\$ 86.13
	82E15	ELEMENT 208 VOLT 3000 WATT MAXIMUM	1.66	\$ 86.13
	82E3	ELEMENT 277 VOLT 2000 WATT MAXIMUM	1.66	\$ 86.13
	HA-22009	ELEMENT WIRING HARNESS	0.08	\$ 21.06
7	275-5011-00	THERMOSTAT CAP TUBE STYLE (REPLACEMENT ONLY)	0.34	\$ 54.00
	275-5011-00-TP	THERMOSTAT TAMPER PROOF (REPLACEMENT ONLY)	0.34	\$ 64.80
	KBP-LABEL	LABEL FOR FRONT GRILL	0.01	\$ 7.56
	KBP KNOB	KNOB ONLY	0.04	\$ 4.86
8	2971-BJH247	FAN ONLY SWITCH - OLD STYLE (3-BUTTON FAN/HEAT/OFF)	0.14	\$ 38.88
	271-92-426	ROTARY 3 POSITION SWITCH (HEAT/FAN/OFF)	0.16	\$ 59.67
9	40-10	UNIVERSAL MOUNTING BRACKET - CEILING/WALL/FLOOR	3.06	\$ 47.51
	25NLEOZ	STAR WASHER FOR MOUNTING BRACKET (SET OF TWO)	0.01	\$ 2.16
	AI069326012	BUMPER FEET FOR MOUNTING BRACKET (SET OF FOUR)	0.01	\$ 4.32
	T24C500Z-GRAY	BRACKET MOUNTING T-HANDLES (SET OF TWO)	0.08	\$ 4.86
	ED-2	LINE VOLTAGE TERMINAL BLOCK 2P	0.18	\$ 25.11
	4000-01-E07AE999	TRANSFORMERS 120/24V	1.50	SEE PG. 24
	4000-09-E0J999	TRANSFORMERS 208-240/24V	1.50	SEE PG. 24
	4000-03-E07J999	TRANSFORMERS 277/24V	1.50	SEE PG. 24
	4000-04-E07K999	TRANSFORMERS 480/24V	1.50	SEE PG. 24
	KBP DPC 30A/240 COIL	CONTACTOR 35 AMP 208/240 COIL	1.25	\$ 81.54
	KBP DPC 30A/24V COIL	CONTACTOR 25 AMP WITH 24V COIL (3-POLE)	1.25	\$ 74.25
	R8229A	1P RELAY FOR 24V REMOTE THERMOSTAT	0.36	\$ 76.68
3700H-002	HANDLE	0.06	\$ 7.83	
SCREW-SET	COMPLETE PACKAGE OF SCREWS	0.04	\$ 4.32	

KB & PKB Series - Unit Heater

Replacement Parts

UPC #093319 STOCK ORDER #	DESCRIPTION	WT (LBS)	LIST PRICE
60T11-313198	HIGH TEMPERATURE LIMIT 175°	0.08	\$ 17.82
A3T60	FUSES 60 AMP 300V	0.14	\$ 67.35
A6T60	FUSES 60 AMP 600V	0.14	\$ 65.39
T30060-2CR	FUSE BLOCK 60 AMP 300V 2 POLE	0.58	\$ 72.09
T60060-2CR	FUSE BLOCK 60 AMP 600V 2 POLE	0.58	\$ 83.70
T30060-3CR	FUSE BLOCK 60 AMP 300V 3 POLE	0.58	\$ 102.06
T60060-3CR	FUSE BLOCK 60 AMP 600V 3 POLE	0.58	\$ 115.02
ERB-201	INPUT TERMINAL BLOCK 3 POLE 240V	0.24	SEE PG. 24
EB-200	INPUT TERMINAL BLOCK 2 POLE 240V	0.16	SEE PG. 24
ED-2	INPUT TERMINAL BLOCK 2 POLE 480V	0.18	SEE PG. 24
ED-3	INPUT TERMINAL BLOCK 3 POLE 480V	0.22	SEE PG. 24

CONTINUED →

4000-09-E07K999	TRANSFORMERS 40VA PRIM. 240/208V SEC. 24V	1.50	SEE PG. 24
4000-51-E07K999	TRANSFORMERS 40VA PRIM. 380/24V SEC.	1.50	SEE PG. 24
4000-04-E07K999	TRANSFORMERS 40VA PRIM. 480/24V SEC.	1.50	SEE PG. 24
KB DPC 50A 120 COIL	CONTACTOR 50AMP 3 POLE 120V COIL	1.25	\$ 100.98
KB DPC 50A 240V COIL	CONTACTOR 50AMP 3 POLE 240/208V COIL	1.25	\$ 100.98
KB DPC 50A 24V COIL	CONTACTOR 50AMP 3 POLE 24V COIL	1.25	\$ 100.98
KB DPC 40A 240V COIL	CONTACTOR 40AMP 3 POLE 240/208V COIL	1.25	\$ 96.12
KBP DPC 40A 24V COIL	CONTACTOR 40AMP 3 POLE 24V COIL	1.25	\$ 96.12
28-SPDT-SWITCH	SUMMER FAN SWITCH 208/240/277 (NO CONTACTOR)	0.10	\$ 66.42
452-BU	SUMMER FAN SWITCH 24V	0.10	\$ 12.42
271-92-426	3 POSITION SWITCH	0.16	\$ 59.67
P9XURDDO	PILOT LIGHT	0.20	\$ 76.85
275-2822-00	THERMOSTAT SINGLE POLE 25 AMP CAPILLARY TUBE	0.30	\$ 75.60
275-3173-00	THERMOSTAT DOUBLE POLE 25 AMP CAPILLARY TUBE	0.32	\$ 95.04
PT-2-P-S	KNOB ONLY FOR INBUILT THERMOSTAT	0.01	\$ 9.18
2822-LOW-HIGH	LABEL FOR THERMOSTAT	0.01	\$ 4.05
12S50-318111	FAN DELAY SWITCH 240V	0.16	\$ 45.36
12S50-305231	FAN DELAY SWITCH 24V	0.16	\$ 35.37
30 AMP DISCONNECT	DISCONNECT SWITCH 30/40 AMP 3 POLE	0.54	\$ 554.64
40 AMP DISCONNECT	DISCONNECT SWITCH 30/40 AMP 3 POLE	0.54	\$ 554.46
60 AMP DISCONNECT	DISCONNECT SWITCH 60/80 AMP 3 POLE	0.60	\$ 739.27
100 AMP DISCONNECT	DISCONNECT SWITCH 100 AMP 3 POLE	0.60	\$ 883.89
45-53	LATCH FOR ACCESS DOOR	0.05	\$ 11.18
45-27	PKB HANDLE	2.00	\$ 5.59
45-26	PKB SERIES ONLY - LEGS FOR SINGLE PHASE	3.00	\$ 62.60
45-25	PKB SERIES ONLY - LEGS FOR THREE PHASE	5.60	\$ 62.60
45-18	KB LOUVER	0.18	\$ 4.47

Replacement Fans

UPC #093319 STOCK ORDER #	DESCRIPTION	WT (LBS)	LIST PRICE
FV870CW30S50F41604A	9" 5 BLADE FANS	0.30	\$ 16.74
FV100CW30S30S50F416018	10" 5 BLADE FANS	0.18	\$ 17.82
12643-7	10" 4 BLADE FANS	0.32	\$ 24.57
410A36SHS6	10" W/ HUB FANS	0.30	\$ 51.30
12371-3	11" 4 BLADE FANS W/O HUB	0.40	\$ 25.65
21854-1	11" 4 BLADE FANS W/ HUB	0.46	\$ 53.19
F02Y14-1427-31CWD	14" FANS	0.50	\$ 103.96

Replacement Elements - KB - PKB

KW	208V	240V	480V	WT. (LBS)	LIST PRICE
	UPC #093319 STOCK ORDER #	UPC #093319 STOCK ORDER #	UPC #093319 STOCK ORDER #		
1 KW		ELE-4.16KW480V	ELE-1KW480V	3.80	\$ 163.62
2 KW	ELE-2.5KW240V	ELE-2.5KW240V	ELE-2.5KW480V	3.80	\$ 163.62
3 KW	ELE-4.16KW240V	ELE-3.3KW240V	ELE-3.3KW480V	3.80	\$ 163.62
4 KW	ELE-5KW240V	ELE-4.16KW240V	ELE-4.16KW480V	3.80	\$ 163.62
5 KW	ELE-5KW208V	ELE-5KW240V	ELE-5KW480V	3.80	\$ 163.62
6 KW	ELE-8KW240V: \$253.80	ELE-6KW240V	ELE-6KW480V	3.80	\$ 163.62
7 KW	ELE-9KW240V: \$261.90	ELE-7KW240V	ELE-7KW480V	4.60	\$ 253.80
8 KW	ELE-10KW240V: \$261.90	ELE-8KW240V	ELE-8KW480V	4.60	\$ 253.80
9 KW		ELE-9KW240V	ELE-9KW480V	5.40	\$ 261.90
10 KW	ELE-10KW208V	ELE-10KW240V	ELE-10KW480V	5.40	\$ 261.90

CONTINUED →

Click on Part # to see pricing & availability at www.MorElectricHeating.com

Replacement Motors

WATTAGE/ FAN SIZE	208V		240V		480V		WT. (LBS)
	STOCK ORDER #	LIST PRICE	UPC #093319 STOCK ORDER #	LIST PRICE	UPC #093319 STOCK ORDER #	LIST PRICE	
3W 9"	SP-B3BAR28	\$ 156.06	SP-B3BAR2	\$ 156.06			1.00
5W 9"	SP-B5BAR28	\$ 156.06	SP-B5BAR2	\$ 156.06			1.00
9W 9"			SP-B9BR2	\$ 189.54	SP-B9ER8	\$ 225.80	2.90
16W 10"			ESP-L16EMR2	\$ 206.28	ESP-L16EMR4	\$ 257.58	4.10
25W 10"			ESP-B25EMR2	\$ 195.48	ESP-L25EMR4	\$ 298.89	4.10
35W 10"			SP-B35EMR2	\$ 217.89	ESP-L35EMR4	\$ 317.25	4.15
50W 12"			ESP-OL50EMR2	\$ 306.72	ESP-OL50EMR4	\$ 341.28	5.60

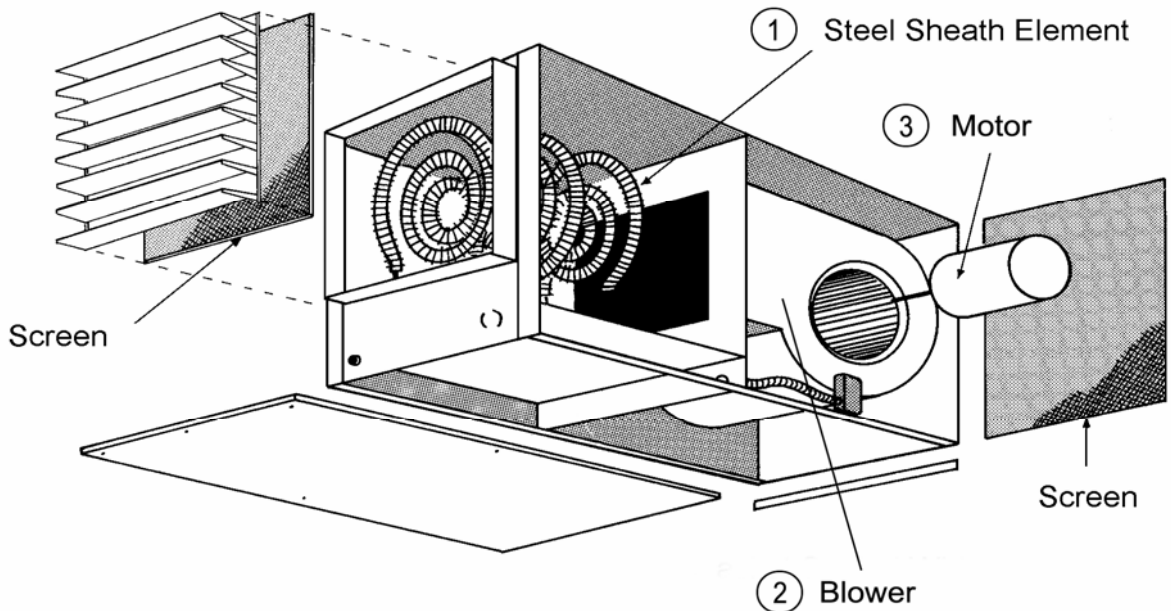
KBS Series - Stainless Steel Unit Heater

Replacement MONEL® Elements

(For Replacement Parts, See KB Series)

KW	208V	240V	480V	WT. (LBS)	LIST PRICE
	UPC #093319 STOCK ORDER #	UPC #093319 STOCK ORDER #	UPC #093319 STOCK ORDER #		
1 KW		ELE-M4KW480V	ELE-M1.6KW480V	3.80	\$ 501.12
2 KW	ELE-M2.5KW240V	ELE-M2.5KW240V	ELE-M2.5KW480V	3.80	\$ 501.12
3 KW	ELE-M4.16KW240V	ELE-M3.3KW240V	ELE-M3.3KW480V	3.80	\$ 501.12
4 KW	ELE-M5KW240V	ELE-M4.16KW240V	ELE-M4KW480V	3.80	\$ 501.12
5 KW	ELE-M7KW240V	ELE-M5KW240V	ELE-M5KW480V	3.80	\$ 501.12
6 KW		ELE-M6KW240V	ELE-M6KW480V	3.80	\$ 501.12
7 KW		ELE-M7KW240V	ELE-M7KW480V	4.60	\$ 501.12

CK Series - Plenum Heater



Replacement Elements - Item 1

WATTAGE	208V		240V		480V		WT. (LBS)
	STOCK ORDER #	LIST PRICE	UPC #093319 STOCK ORDER #	LIST PRICE	UPC #093319 STOCK ORDER #	LIST PRICE	
1			ELE-4.16KW 480V	\$ 163.62			3.80
2			ELE-2.5KW240V	\$ 163.62	ELE-2.5KW480V	\$ 163.62	3.80
3	ELE-4.16KW240V	\$ 163.62	ELE-3.3KW240V	\$ 163.62	ELE-3.3KW480V	\$ 163.62	3.80
4			ELE-4.16KW240V	\$ 163.62	ELE-4.16KW 480V	\$ 163.62	3.80
5	ELE-5KW208V	\$ 163.62	ELE-5KW240V	\$ 163.62	ELE-5KW480V	\$ 163.62	3.80
6	ELE-8KW240V	\$ 253.80	ELE-6KW240V	\$ 163.62	ELE-6KW480V	\$ 163.62	3.80
7			ELE-7KW240V	\$ 253.80	ELE-7KW480V	\$ 253.80	4.60
8			ELE-8KW240V	\$ 253.80	ELE-8KW480V	\$ 253.80	4.60
10	ELE-10KW208V	\$ 261.90	ELE-10KW240V	\$ 261.90	ELE-10KW480V	\$ 261.90	5.50
11			ELE-11KW240V	\$ 261.90	ELE-11KW480V	\$ 261.90	5.50

Replacement Parts

UPC #093319 STOCK ORDER #	DESCRIPTION	WT. (LBS)	LIST PRICE
60T11-313198	AUTO. LIMIT CONTROL 175°	0.04	\$ 17.82
4000-51-E07AE15	LOW VOLTAGE TRANSFORMER 40VA 120/24	1.50	SEE PG. 24
4000-09-E07K999	LOW VOLTAGE TRANSFORMER 40VA 240/208/24	1.50	SEE PG. 24
4000-03-E07J999	LOW VOLTAGE TRANSFORMER 40VA 277/24	1.50	SEE PG. 24
4000-51-E07K999	LOW VOLTAGE TRANSFORMER 40VA 380/24	1.50	SEE PG. 24
4000-04-E07K999	LOW VOLTAGE TRANSFORMER 40VA 480/24	1.50	SEE PG. 24
KB DPC 50A 24V COIL	CONTACTOR 50 AMP 3 POLE 24V COIL	1.25	SEE PG. 18
KB DPC 40A 24V COIL	CONTACTOR 40 AMP 3 POLE 24V COIL	1.25	SEE PG. 18
15SH1-309571	FAN DELAY SWITCH	0.10	\$ 36.18
ELD-5-034	LOW VOLTAGE TERMINAL BLOCK	0.04	\$ 14.31
275-2822-00	THERMOSTAT SP 25AMP CAP TUBE	0.30	\$ 75.60
9100233Q999	DOUBLE POLE, DOUBLE THROW	0.36	\$ 68.31

CONTINUED →

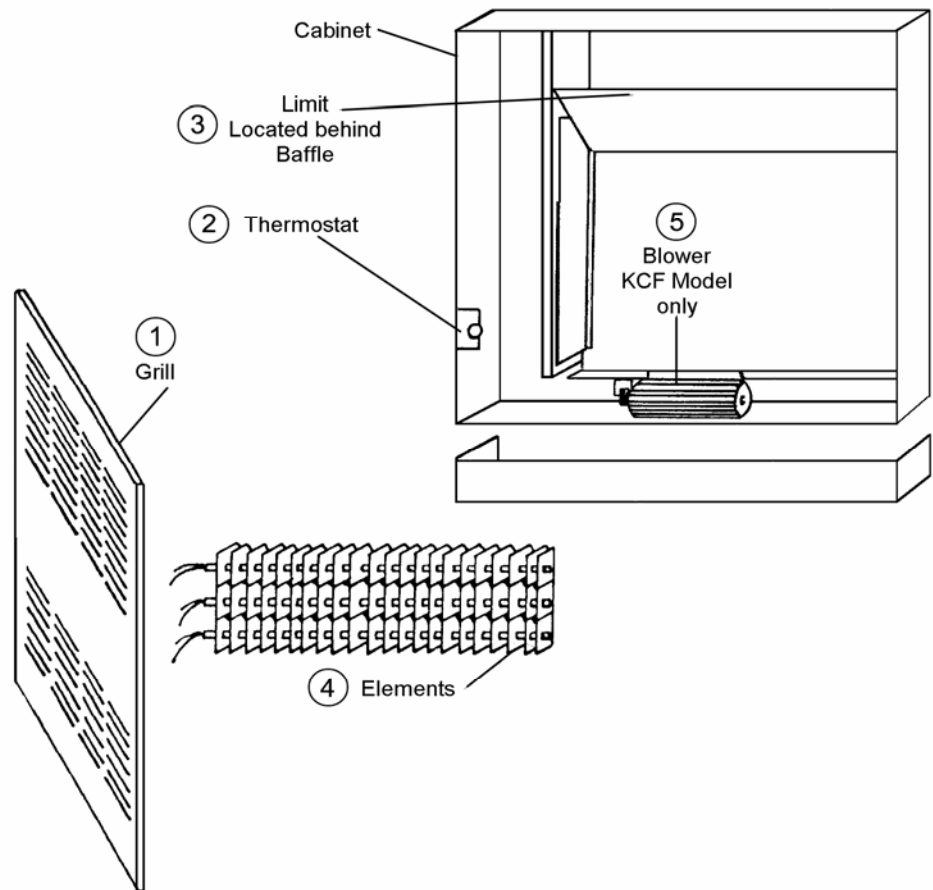
Click on Part # to see pricing & availability at www.MorElectricHeating.com

Replacement Motors & Blowers

ITEM	UPC #093319 STOCK ORDER #	DESCRIPTION	WT. (LBS)	LIST PRICE
2	FURNACE BLOWER SMALL	USE WITH 1/4 HP MOTOR	10.80	\$ 172.26
	FURNACE BLOWER LARGE	USE WITH 1/2 HP MOTOR	11.80	\$ 227.34
	120-8T-DD-.50PP	FURNACE BLOWER X-LARGE - USE WITH 1/2 HP MOTOR	15.00	\$ 281.88
3	FE1026S	1/4 HP 240V MOTOR	9.50	\$ 480.60
	FEH1026S	1/4 HP 480V MOTOR	9.50	\$ 548.64
	FE1056S	1/2 HP 240V MOTOR	13.60	\$ 421.20
	FEH1056S	1/2 HP 480V MOTOR	13.60	\$ 646.92
	DAO-3GJ005	CAPACITOR 5MF 370V	0.24	\$ 15.66
	DAO-3GJ007.5	CAPACITOR 7.5MF 370V	0.30	\$ 19.44
	DAO-3GJ010	CAPACITOR 10MF 370V	0.30	\$ 22.68

KCC & KCF Series - Cabinet Heater

Replacement Parts



ITEM	UPC #093319 STOCK ORDER #	DESCRIPTION	WT. (LBS)	LIST PRICE
1	58-032S	REPLACEMENT GRILL 24" SURFACE	7.10	\$ 243.00
	58-042R	REPLACEMENT GRILL 24" RECESS	8.90	\$ 243.00
	58-033S	REPLACEMENT GRILL 36" SURFACE	10.60	\$ 364.50
	58-043R	REPLACEMENT GRILL 36" RECESS	13.30	\$ 364.50
	58-034S	REPLACEMENT GRILL 48" SURFACE	17.60	\$ 486.00
	58-044R	REPLACEMENT GRILL 48" RECESS	14.70	\$ 486.00

CONTINUED →

2	275-2822-00	THERMOSTAT - SINGLE POLE	0.35	\$ 75.60
	275-3173-00	THERMOSTAT - DOUBLE POLE	0.35	\$ 95.04
	KBP KNOB	KNOB ONLY	0.04	\$ 4.86
	2822-LOW-HIGH	LABEL ONLY FOR THERMOSTAT	0.01	\$ 4.05
3	BB 2 175	HIGH TEMPERATURE LIMIT FOR MODELS 210-220	0.10	\$ 26.46
	BB 3 175	HIGH TEMPERATURE LIMIT FOR MODELS 325-330	0.10	\$ 31.59
	BB 4 175	HIGH TEMPERATURE LIMIT FOR MODELS 440-450	0.10	\$ 59.67
	271-92-426	ROTARY 3 POSITION SWITCH (HEAT/FAN/OFF)	0.16	\$ 25.11
	ED-2	INPUT TERMINAL BLOCK 2 POLE 480V	0.18	\$ 31.59
	ED-3	INPUT TERMINAL BLOCK 3 POLE 480V	0.22	\$ 100.98
	KB DPC 50A 240V COIL	CONTACTOR 50 AMP 3 POLE 240/208V COIL	1.25	\$ 100.98
	KB DPC 50A 24V COIL	CONTACTOR 50 AMP 3 POLE 24V COIL	1.25	\$ 96.12
	KB DPC 50A 277V COIL	CONTACTOR 40 AMP 3 POLE 277V COIL	1.25	\$ 96.12
	KB DPC 40A 240V COIL	CONTACTOR 40 AMP 3 POLE 240/208V COIL	1.25	\$ 96.12
	KB DPC 40A 24V COIL	CONTACTOR 40 AMP 3 POLE 24V COIL	1.25	\$ 96.12
	4000-09-E07K999	TRANSFORMER 40VA PRIM 240/208 SEC 24V	1.50	SEE PG. 24
	4000-03-E07J999	TRANSFORMER 40VA PRIM 277/24 SEC	1.50	SEE PG. 24
	4000-51-E07K999	TRANSFORMER 40VA PRIM 380/24 SEC	1.50	SEE PG. 24
	4000-04-E07K999	TRANSFORMER 40VA PRIM 480/24 SEC	1.50	SEE PG. 24
	SEE PG. 18	DISCONNECT SWITCH 30 AMP 2 POLE 1Ø	0.32	SEE PG. 18
	SEE PG. 18	DISCONNECT SWITCH 30 AMP 3 POLE 3Ø	0.32	SEE PG. 18

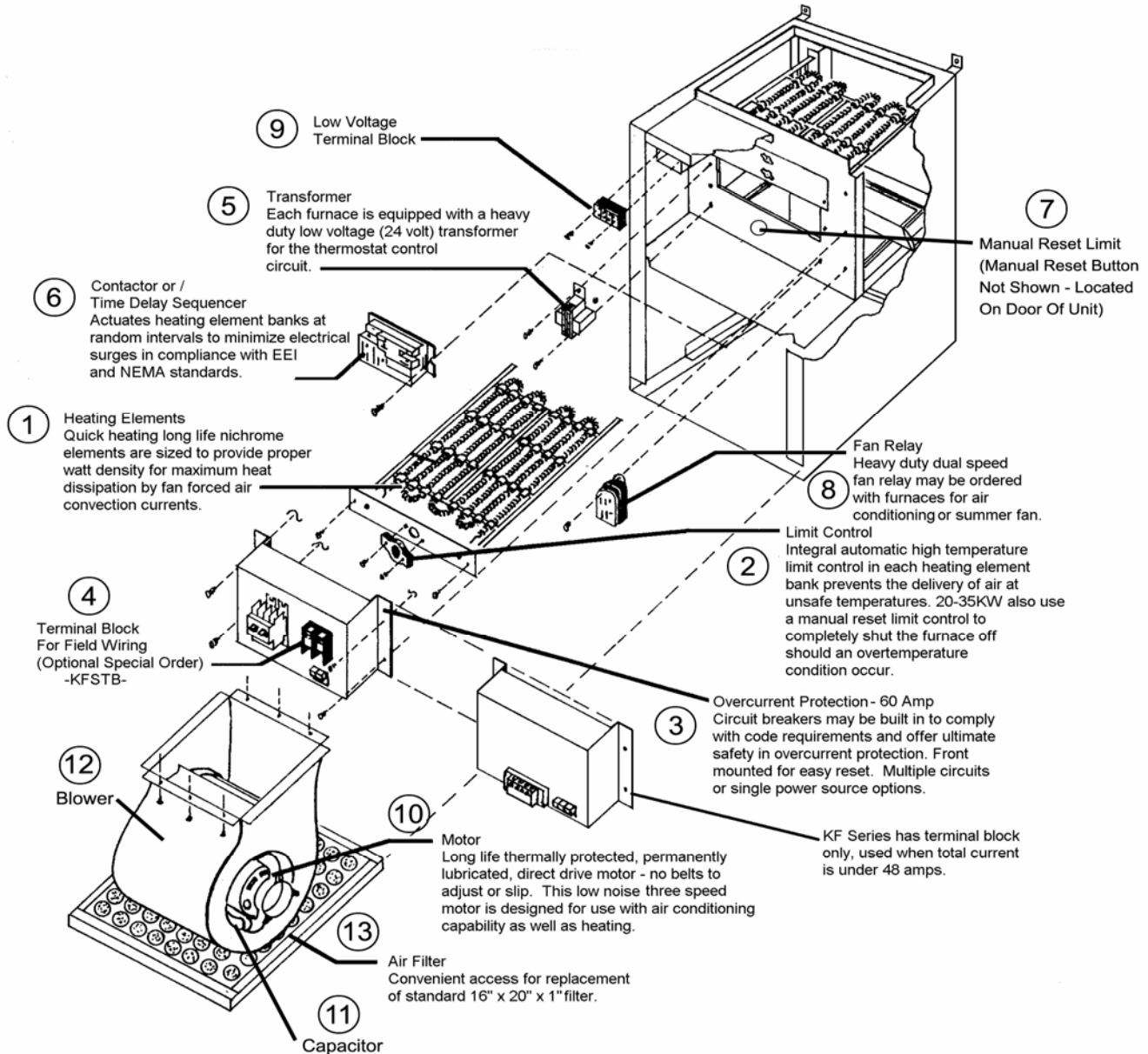
Replacement Elements - Must Provide Model #, Voltage, Wattage & Phase

ITEM	UPC #093319 STOCK ORDER #	DESCRIPTION	WT. (LBS)	LIST PRICE
4	KC-ELE-24	FOR 24" CABINET - PRICE PER EACH ELEMENT USED	0.92	\$ 54.00
	KC-ELE-36	FOR 36" CABINET - PRICE PER EACH ELEMENT USED	1.60	\$ 64.80
	KC-ELE-48	FOR 48" CABINET - PRICE PER EACH ELEMENT USED	1.98	\$ 75.60

KCF Fan Model Only

ITEM	UPC #093319 STOCK ORDER #	DESCRIPTION	WT. (LBS)	LIST PRICE
5	240V FF MTR. BLOWER	BLOWER & MOTOR ASSEMBLY 120/208/240/480	1.96	\$ 187.92

KFS & KFUH Series - Electric Furnace



Replacement Parts

ITEM	UPC #093319 STOCK ORDER #	DESCRIPTION	WT. (LBS)	LIST PRICE
1	21-2405-00	HEATING ELEMENT 5KW / 240V	1.20	\$ 129.28
	21-2405-07	HEATING ELEMENT 5KW / 208V	1.20	\$ 135.12
	21-2405-9	HEATING ELEMENT 5KW / 480V	1.20	\$ 132.32
	21-2405-2	HEATING ELEMENT 5.75KW / 240V	1.20	\$ 143.04
	21-2405-12	HEATING ELEMENT 5.75KW / 480V	1.20	\$ 144.12
	21-2405-1	HEATING ELEMENT 4KW / 240V	1.20	\$ 120.16
	21-2405-6	HEATING ELEMENT 4KW / 480V	1.20	\$ 121.12
	21-2405-15	HEATING ELEMENT 5KW / 380V	1.20	\$ 174.11
	21-3413-00	HEATING ELEMENT 3PHASE 5KW / 240V	1.20	\$ 181.12
	21-3413-01	HEATING ELEMENT 3 PHASE 5KW / 480V	1.20	\$ 170.56
	2	60T11-201936	AUTO. LIMIT CONTROL - 60T11	0.04

CONTINUED →

3	QOU260	CIRCUIT BREAKER 60 AMP 1Ø SQUARE D	0.64	\$ 95.31
	QOU360	CIRCUIT BREAKER 3 POLE 60 AMP 3Ø	1.02	\$ 331.56
4	EB-200	INPUT TERMINAL BLOCK 2P 240V	0.16	\$ 28.08
	ED-2	INPUT TERMINAL BLOCK 2P 480V	0.18	\$ 28.08
	ERB-201	INPUT TERMINAL BLOCK 3P 240V	0.24	\$ 37.80
	ED-3	INPUT TERMINAL BLOCK 3P 480V	0.22	\$ 41.10
5	4000-09-E07K999	LOW VOLTAGE TRANSFORMER 40VA 240/208 SEC 24V	1.50	\$ 76.29
	4000-03-E07J999	LOW VOLTAGE TRANSFORMER 40VA 277/24	1.50	\$ 79.65
	4000-04-E07K999	LOW VOLTAGE TRANSFORMER 40VA 480/24	1.50	\$ 68.58
	4000-51-E07K999	TRANSFORMERS 40VA PRIM. 380/24V SEC.	1.50	\$ 68.58
6	R8330	SEQUENCER (USED PRIOR TO 1981)	0.64	\$ 501.12
	15SH22-30956	SEQUENCER (USED AFTER 1981)	0.22	\$ 78.03
	R8229A	RELAY 28 AMP	0.36	\$ 76.68
	R8246A	RELAY 46 AMP	0.48	\$ 74.52
7	60T25-330976	MANUAL RESET LIMIT	0.02	\$ 26.11
	10935H3	MANUAL RESET BUTTON (NOT SHOWN)	0.12	\$ 118.80
8	9100233Q999	DOUBLE POLE, DOUBLE THROW	0.36	\$ 68.31
9	ELD-5-034	LOW VOLTAGE TERMINAL BLOCK	0.04	\$ 14.31
10	5KSP39FGW057AS	1/5 HP 240V MOTOR	9.50	\$ 297.00
	5KSP39FGW244S	1/5 HP 480V MOTOR	9.30	\$ 297.00
	5KCP39MGE250AS	1/3 HP 240V MOTOR	13.60	\$ 351.00
	5KCP39MGG136S	1/3 HP 480V MOTOR	13.50	\$ 432.00
	CALL FACTORY	1/2 HP 240V MOTOR	13.60	\$ 645.84
	KCP39MGJ185S	1/2 HP 480V MOTOR	13.60	\$ 632.88
11	DAO-3GJ005	CAPACITOR 5MF 370V	0.24	\$ 15.66
	DAO-3GJ007.5	CAPACITOR 7.5MF 370V	0.30	\$ 19.44
	DAO-3GJ010	CAPACITOR 10MF 370V	0.30	\$ 22.68
12	FURNACE BLOWER SMALL	BLOWER SMALL FOR 1/5 HP MOTORS	10.80	\$ 172.26
	FURNACE BLOWER LARGE	BLOWER LARGE FOR 1/3, 1/2 HP MOTORS	11.80	\$ 172.26
	120-8T-DD-.50PP	BLOWER X-LARGE FOR 1/2 HP MOTORS	15.00	\$ 281.88
13	16X20X1	AIR FILTER 1" x 16" x 20"	0.16	\$ 12.96
	50-31	BOTTOM SCREEN	0.80	\$ 50.31
	QOU14100BALB	4 POLE JUMPER BAR FOR SQD C/B	1.34	\$ 50.90
	QOU16150BALB	6 POLE JUMPER BAR FOR SQD C/B	2.00	\$ 75.20
	50-32	TOP HARDWARE CLOTH	0.20	\$ 11.18

effective August 1, 2006

